

Assembly Guide

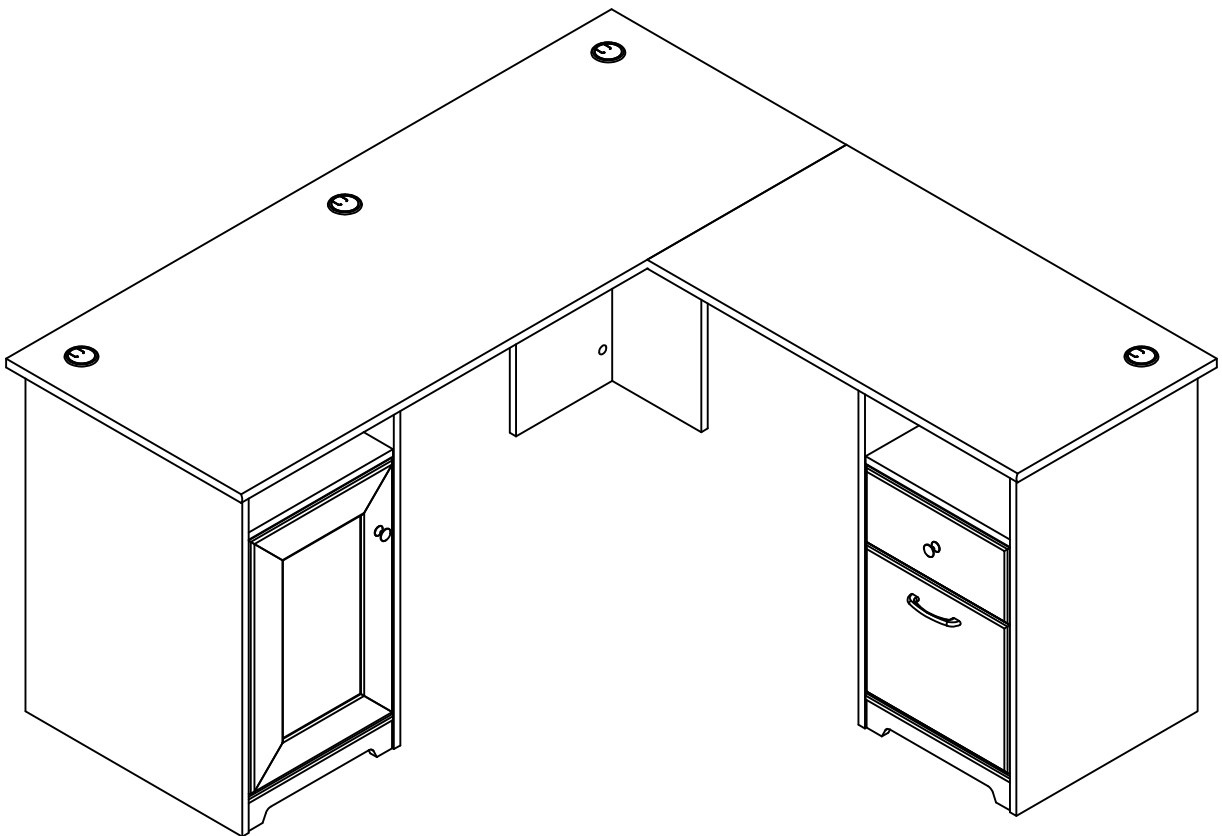


If you're having any difficulty during assembly of this product, don't hesitate to call us at **1-800-950-4782.**

Our customer service experts are trained to provide step-by-step instruction and can easily replace any missing or damaged parts.

Representatives are available Monday-Friday from 8:30 a.m. to 7:30 p.m. (ET)

60" Wide L-Desk



Lot Code #

Instruction Sheet Number A175390G

Keep manual for future reference.

For best results, keep these tips in mind:

- ① We know you want to finish this assembly as quickly as possible, but trust us: you'll have a better experience if you take it one step at a time.
- ② Give yourself some room to work near where you want the fully assembled product.
- ③ If your floor isn't carpeted, assemble this product on the empty carton to avoid scratching.
- ④ Do you have a friend who owes you a favor? Some steps may go a little easier with a second set of hands.

DOs

- ✔ Use a #2 Phillips head screwdriver (or other handheld tools as indicated)
- ✔ Wear safety glasses at all times during assembly
- ✔ Carefully follow the instructions in this guide and complete all steps in order
- ✔ Give us a call if you're having trouble with a particularly tricky step

DON'Ts

- ✘ We know power tools are quick and easy, but you shouldn't use them when assembling this product (unless otherwise specified)
- ✘ Never move your furniture with items inside or resting on the surface
- ✘ Do not attempt to use this product before all steps have been completed



Watch assembly videos right on your phone or computer!



Some steps include QR codes that link to helpful videos. Watch out for the icon below! Simply open up your smartphone camera to scan the code.

(Users of older smartphones may need to install a QR Reader.)

SCAN HERE



FOR VIDEOS

Or visit <https://www.bushbusinessfurniture.com/CustomerService/HowtoAssemble.aspx>

IMPORTANT SAFETY INFORMATION



PLEASE READ WARNINGS

Improper use can cause safety hazards, or damage to your furniture and household items.

Warning	Do	Don't	Why it's important
Serious injury may occur.	<ul style="list-style-type: none">Assemble following all instructions using all indicated parts and hardware provided.	<ul style="list-style-type: none">Do not move unit when loaded.Do not load with a television or other heavy equipment.Do not exceed the maximum load limits stated in the instructions.	Improper assembly, use or loading can lead to product instability, tip-over or collapse.

Caution	Do	Don't	Why it's important
Injury may occur.	<ul style="list-style-type: none">Handle glass carefully during assembly.Use proper eye and hand protection.	<ul style="list-style-type: none">Do not sit or stand on glass work surfaces.	Improper handling or loading may result in glass breakage.

IMPORTANT SAFETY INFORMATION



PLEASE READ WARNINGS

Improper use can cause safety hazards, or damage to your furniture and household items.

Advertencia	Hacer	No	Por qué es importante
Se pueden producir lesiones graves.	<ul style="list-style-type: none">• Ensamble siguiendo todas las instrucciones utilizando todas las piezas y ferretería indicados provistos.	<ul style="list-style-type: none">• No mueva la unidad cuando esté cargada.• No cargue con un televisor u otro equipo pesado.• No exceda los límites máximos de carga establecidos en las instrucciones.	El ensamblaje, uso o carga inadecuados pueden provocar inestabilidad del producto, vuelco o colapso.

Atención	Hacer	No	Por qué es importante
Se pueden producir lesiones.	<ul style="list-style-type: none">• Manipule el vidrio con cuidado durante el montaje.• Use protección adecuada para los ojos y las manos.	<ul style="list-style-type: none">• No se siente ni se pare sobre superficies de trabajo de vidrio.	La manipulación o carga inadecuadas pueden provocar la rotura del vidrio.

IMPORTANT SAFETY INFORMATION

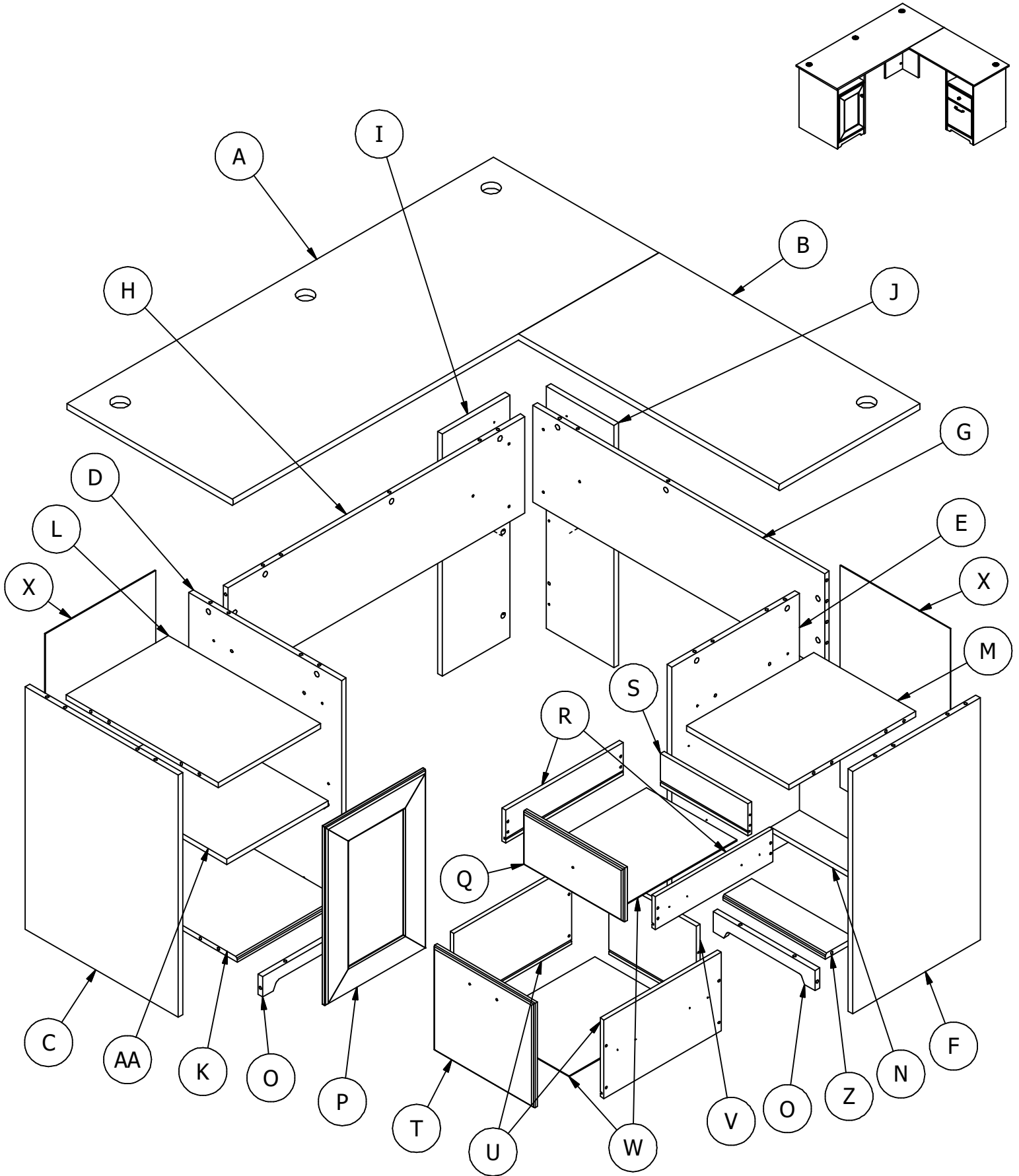


PLEASE READ WARNINGS

Improper use can cause safety hazards, or damage to your furniture and household items.

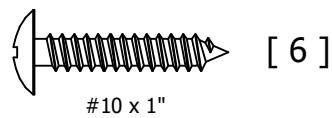
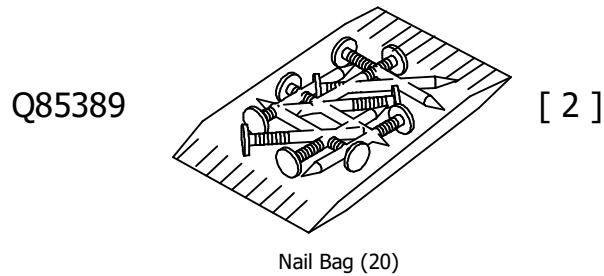
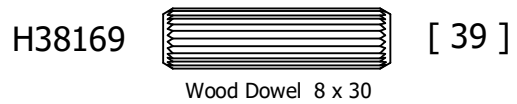
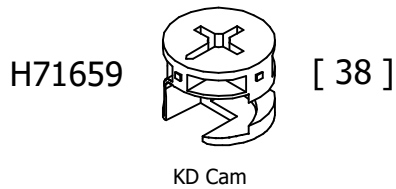
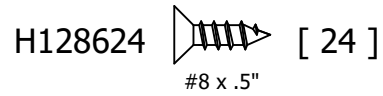
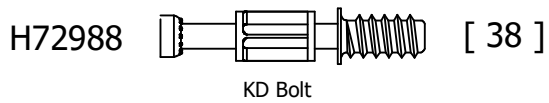
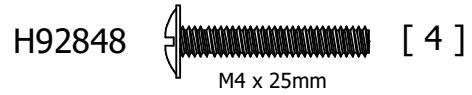
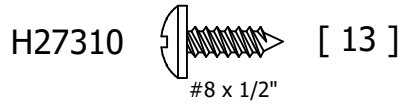
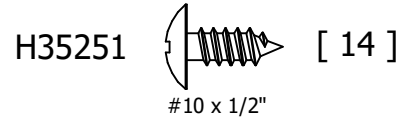
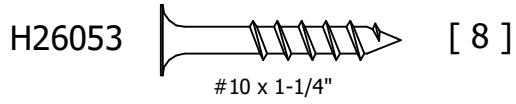
Avertissement	Faire	Ne le fais pas	Pourquoi c'est important
Des blessures graves peuvent survenir.	<ul style="list-style-type: none">Assemblez en suivant toutes les instructions en utilisant toutes les pièces et le matériel indiqués fournis.	<ul style="list-style-type: none">Ne déplacez pas l'unité lorsqu'elle est chargée.Ne chargez pas avec un téléviseur ou un autre équipement lourd.Ne dépassez pas les limites de charge maximale indiquées dans les instructions.	Un assemblage, une utilisation ou un chargement incorrects peuvent entraîner une instabilité du produit, un renversement ou un effondrement.

Attention	Faire	Ne le fais pas	Pourquoi c'est important
Des blessures peuvent survenir.	<ul style="list-style-type: none">Manipulez le verre avec précaution lors du montage.Utilisez une protection appropriée pour les yeux et les mains.	<ul style="list-style-type: none">Ne vous asseyez pas ou ne vous tenez pas sur des surfaces de travail en verre.	Une manipulation ou un chargement incorrect peut entraîner la rupture du verre.



Have an assembly question or need a replacement part? Just call
1-800-950-4782, we are here to help.

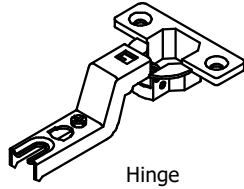
Fasteners are shown actual size.



Have an assembly question or need a replacement part? Just call
1-800-950-4782, we are here to help.

Hardware not to scale.

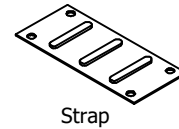
H126757



Hinge

[2]

H39922



Strap

[2]

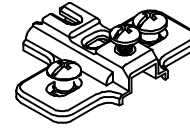
H100444



DWR Bracket

[2]

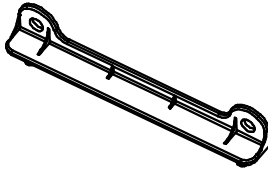
H126758



Mounting Plate

[2]

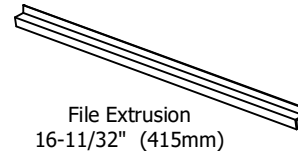
H100446



Drawer Bracket

[2]

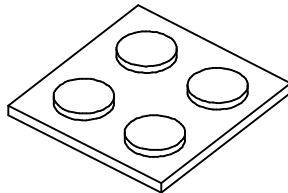
H94305



File Extrusion
16-11/32" (415mm)

[2]

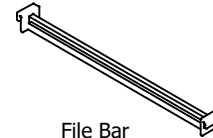
H77351



Bumper (4) per pack

[1]

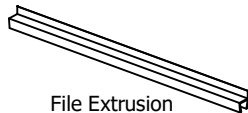
H89793



File Bar
12-1/2" (318mm)

[1]

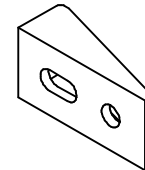
H94928



File Extrusion
12" (304mm)

[1]

H32024



Lock Clip

[1]

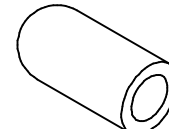
H23604



Shelf Pin

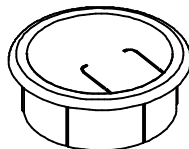
[4]

H126396



Shelf Pin Sleeve

[4]



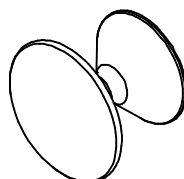
Grommet

[4]



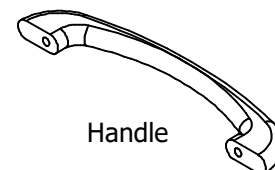
Cover Cap

[23]



Door Knob

[2]

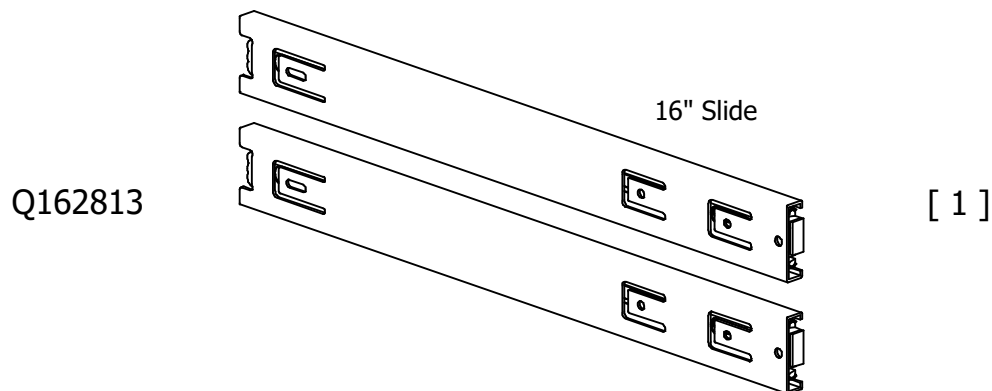
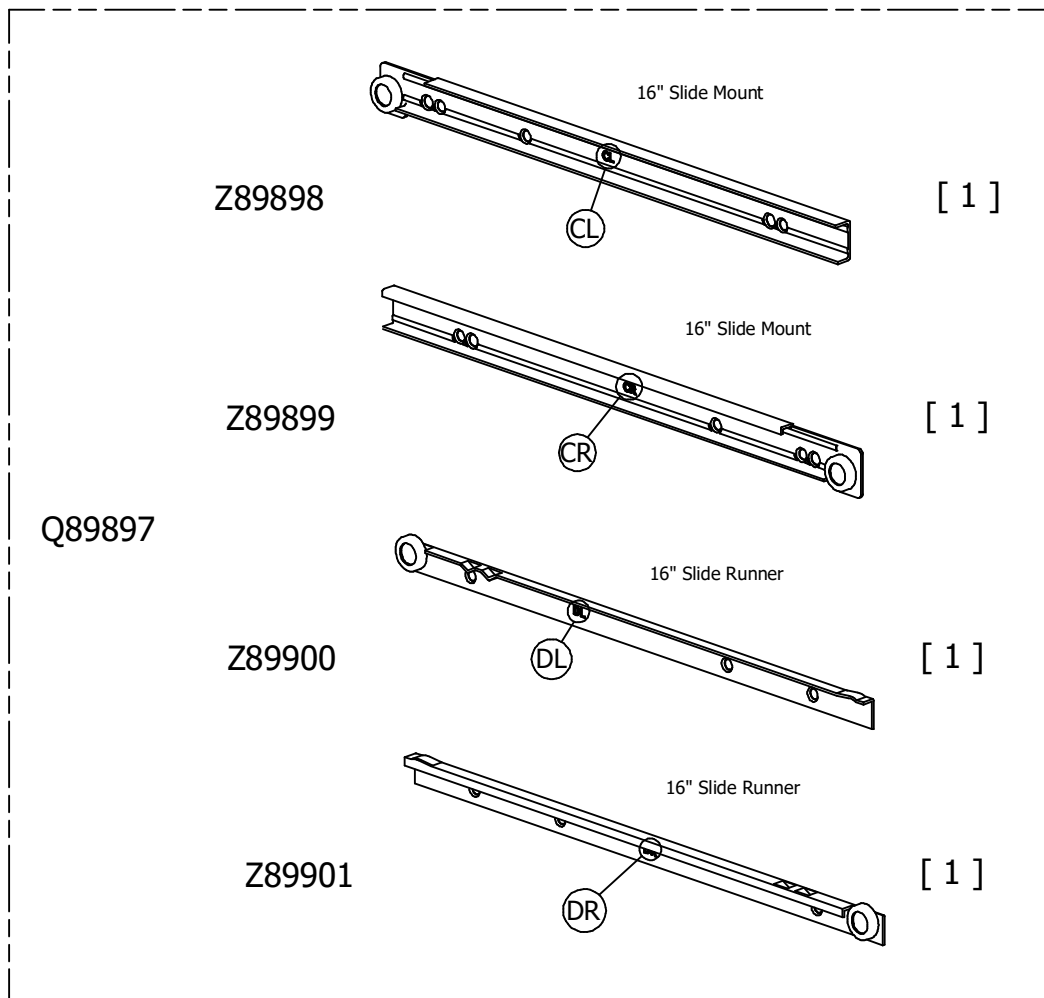


Handle

[1]

Have an assembly question or need a replacement part? Just call
1-800-950-4782, we are here to help.

Hardware not to scale.



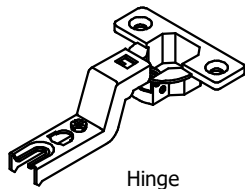
Have an assembly question or need a replacement part? Just call **1-800-950-4782**, we are here to help.

STEP 1

Prepare Door

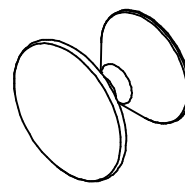
A175390G

H126757



Hinge

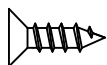
[2]



Door Knob

[1]

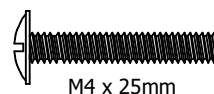
H128624



#8 x .5"

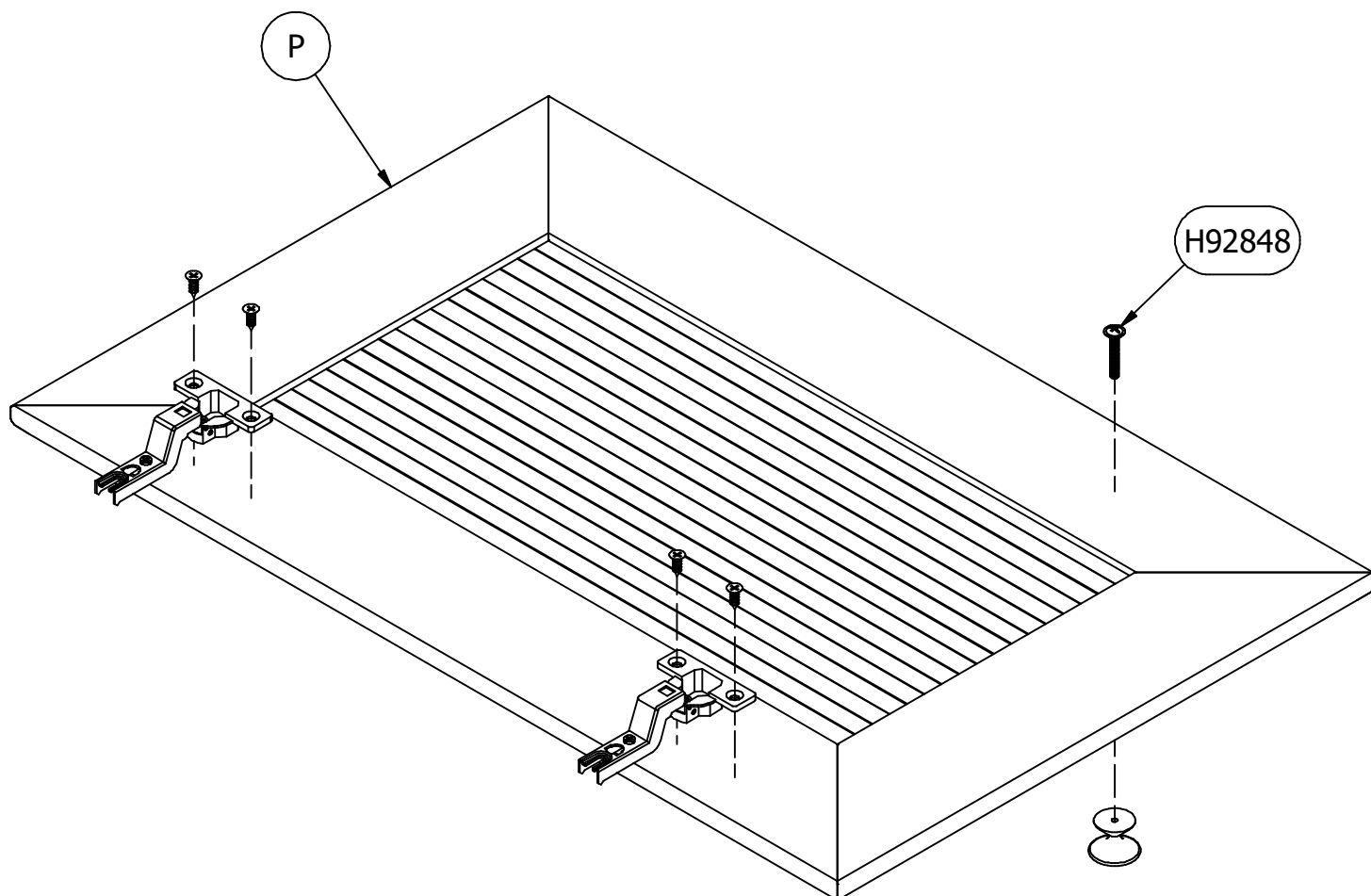
[4]

H92848



M4 x 25mm

[1]



Have an assembly question or need a replacement part? Just call
1-800-950-4782, we are here to help.

STEP 2

Prepare Panels

A175390G

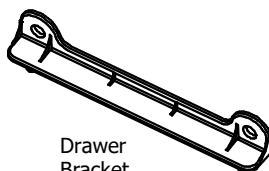
H100444



DWR Bracket

[2]

H100446

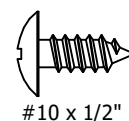


Drawer
Bracket

[2]

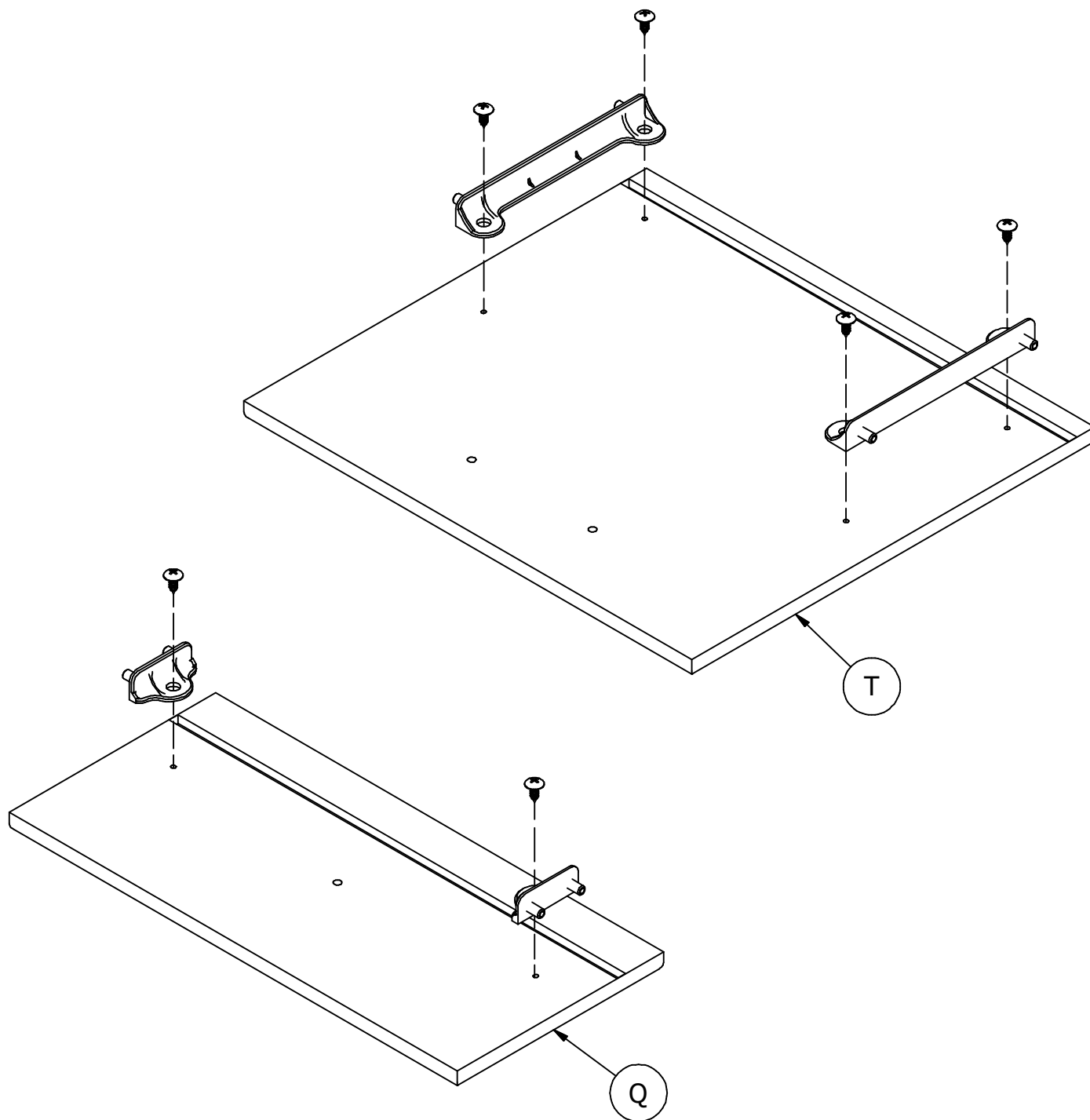
H35251

(Black)



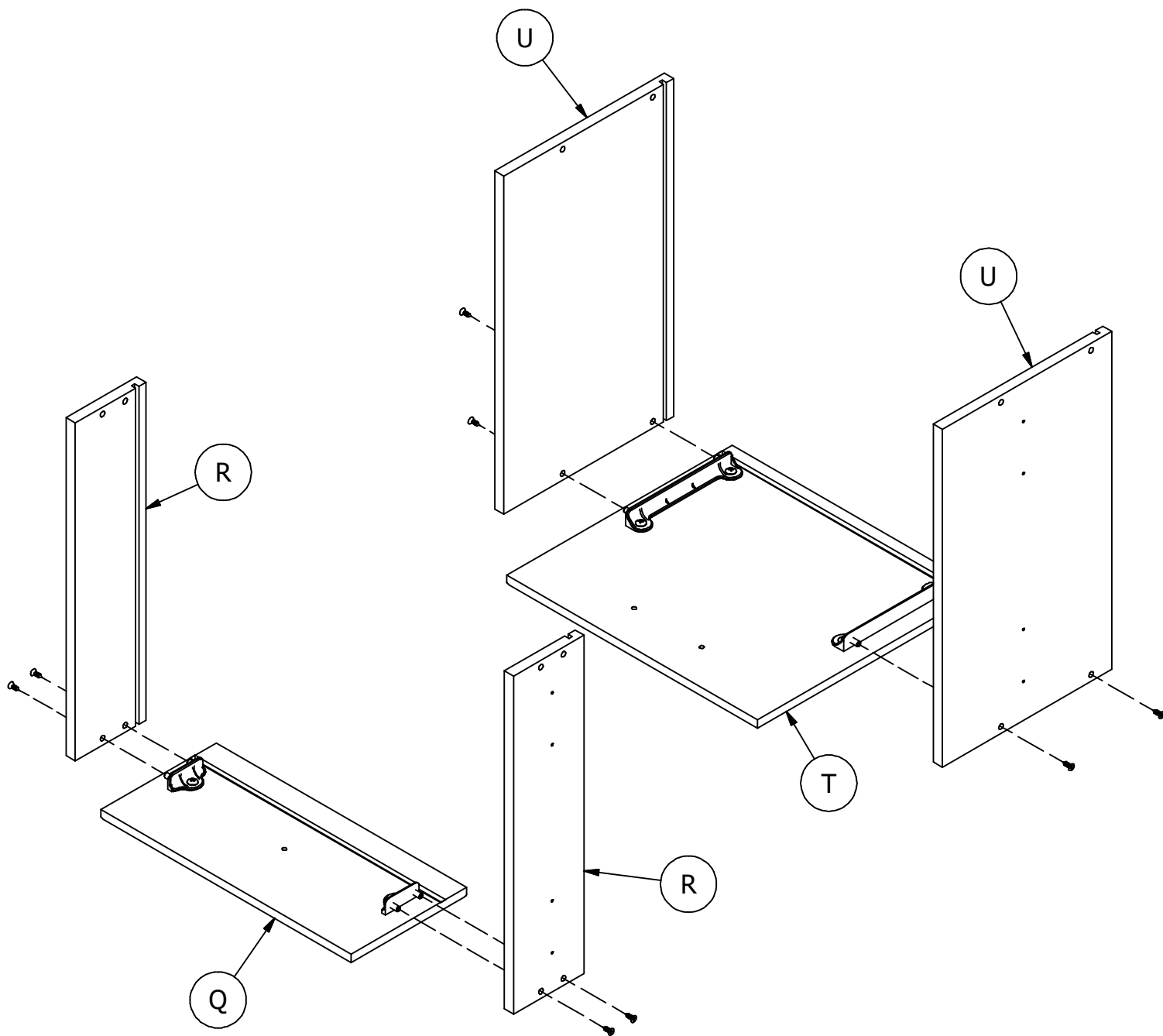
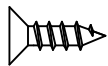
[6]

#10 x 1/2"



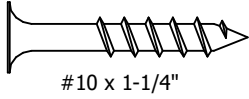
Have an assembly question or need a replacement part? Just call
1-800-950-4782, we are here to help.

H128624 [8]
(Black) #8 x .5"

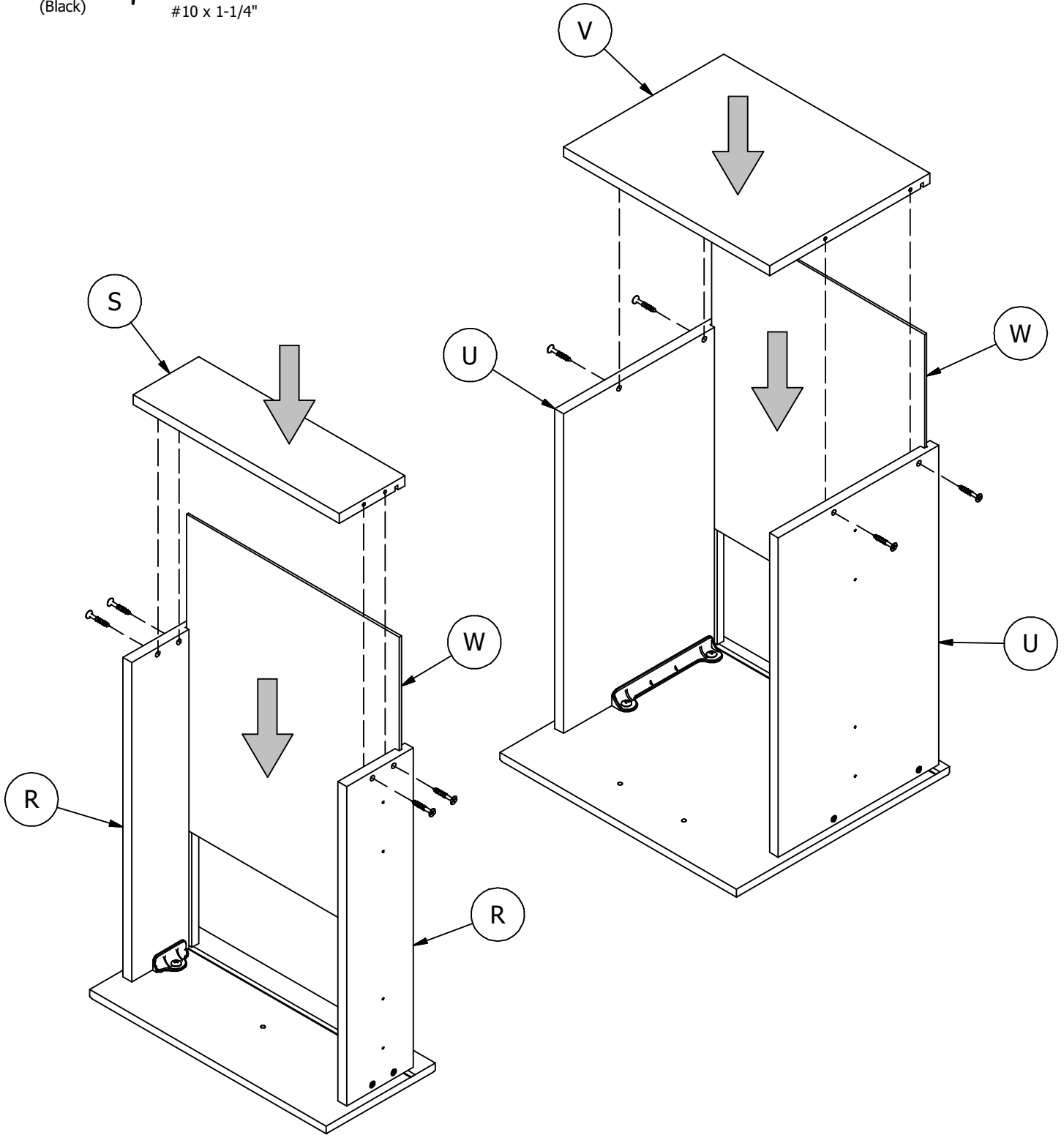


Have an assembly question or need a replacement part? Just call
1-800-950-4782, we are here to help.

H26053
(Black)



[8]



Have an assembly question or need a replacement part? Just call
1-800-950-4782, we are here to help.

Scan QR Code to Watch Video on:

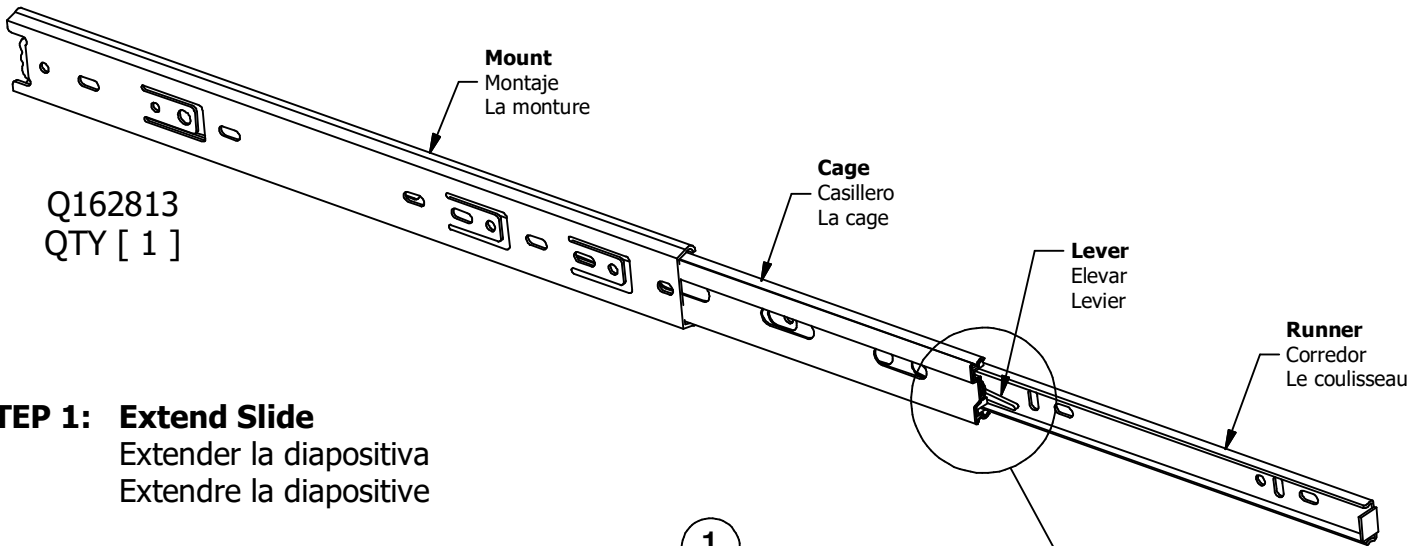


How to Separate and Install Drawer Slides

**Slides Must Be Separated Before Assembly.
After Separated, Set Aside Until Needed for Assembly.**

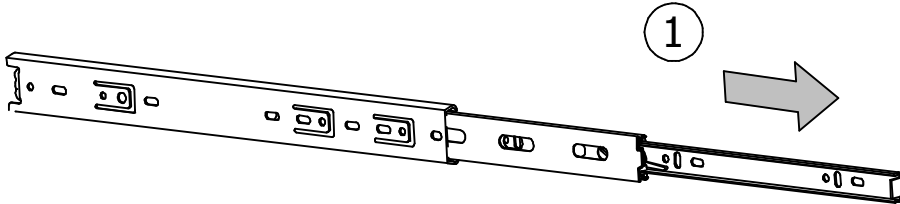
Las diapositivas deben separarse antes del montaje.
Después de la separación, déjelo a un lado hasta que sea necesario.

Les glissières doivent être séparées avant l'assemblage.
Après la séparation, mettez de côté jusqu'au moment de l'assemblage.

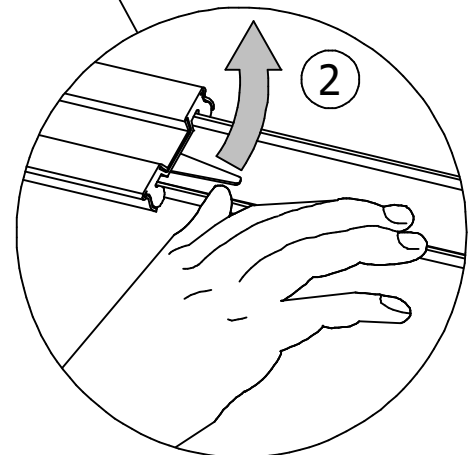


Q162813
QTY [1]

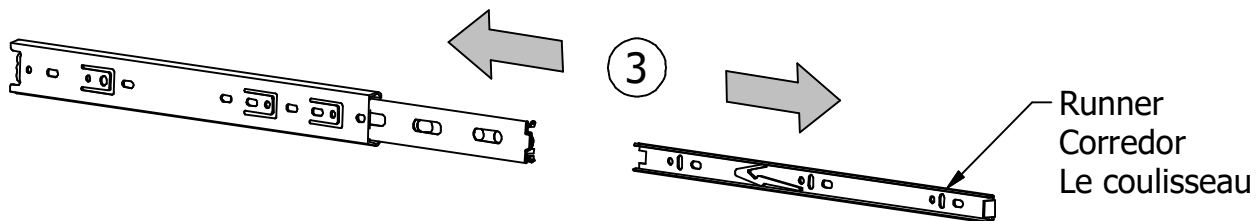
STEP 1: Extend Slide
Extender la diapositiva
Extendre la diapositive



STEP 2: Push Lever UP
Empujar hacia arriba
Lever le levier



STEP 3: Remove Runner
Quitar el corredor
Enlever le coureur



Have an assembly question or need a replacement part? Just call
1-800-950-4782, we are here to help.

STEP 6

Attach Hardware

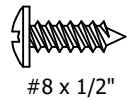
A175390G

Scan QR Code to Watch Video on:

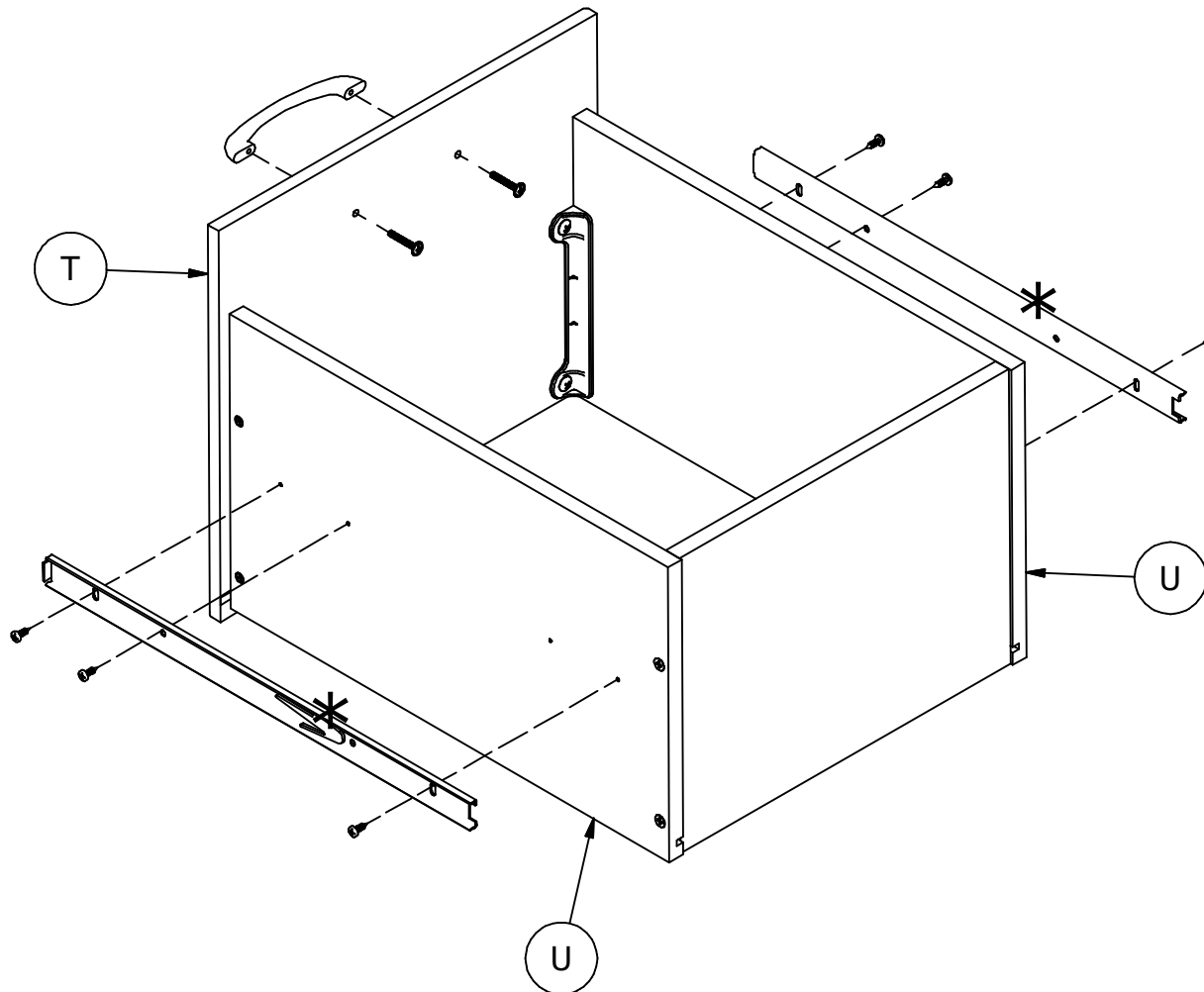
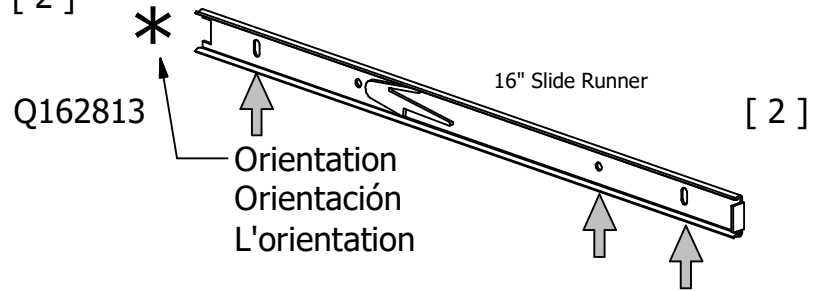
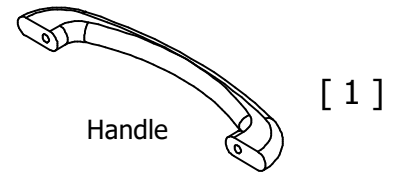
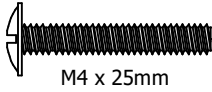


How to Separate and Install Drawer Slides

H27310 [6]
(Silver) #8 x 1/2"



H92848 [2]
(Silver) M4 x 25mm

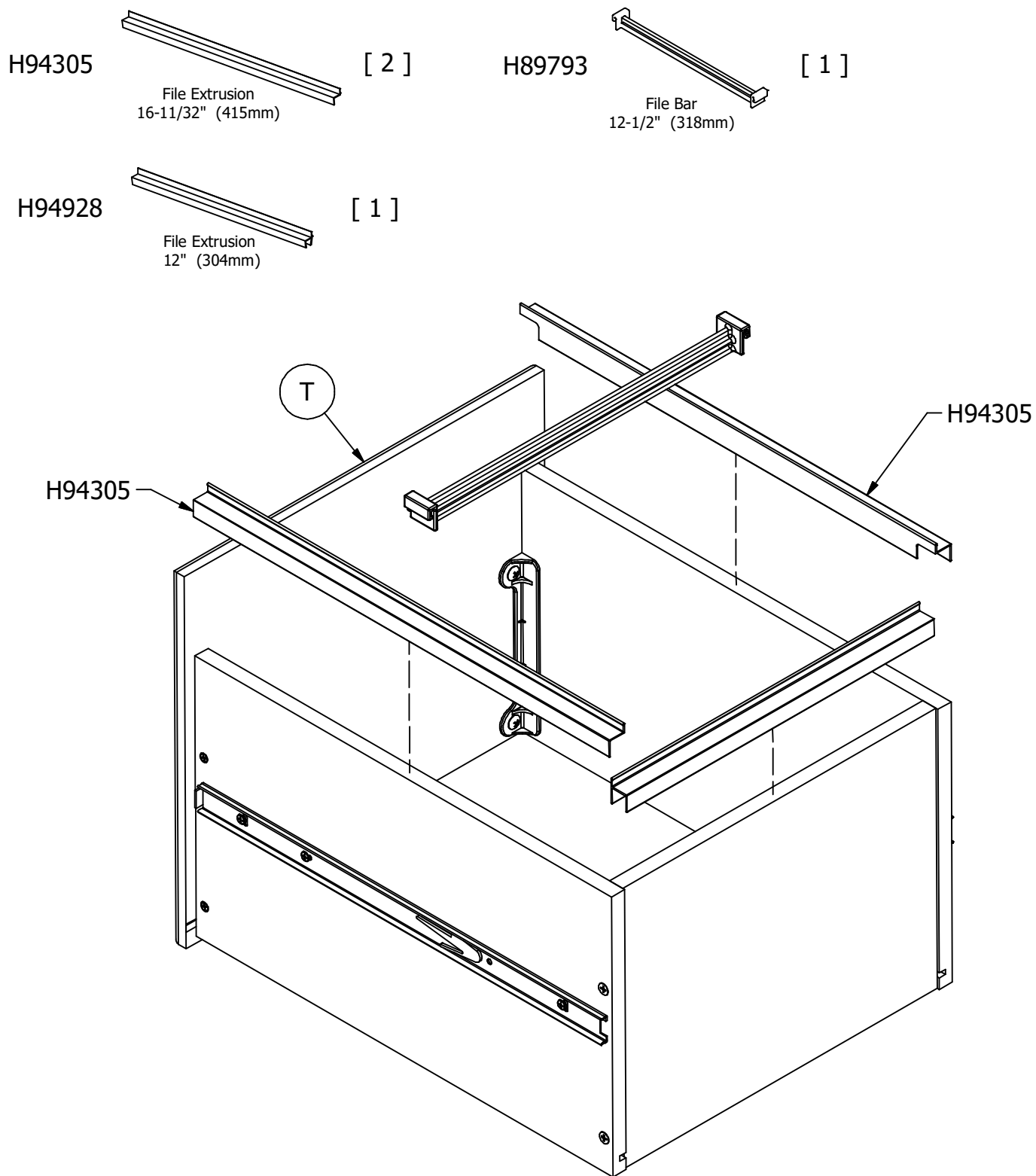


Have an assembly question or need a replacement part? Just call **1-800-950-4782**, we are here to help.

STEP 7

Attach Hardware

A175390G

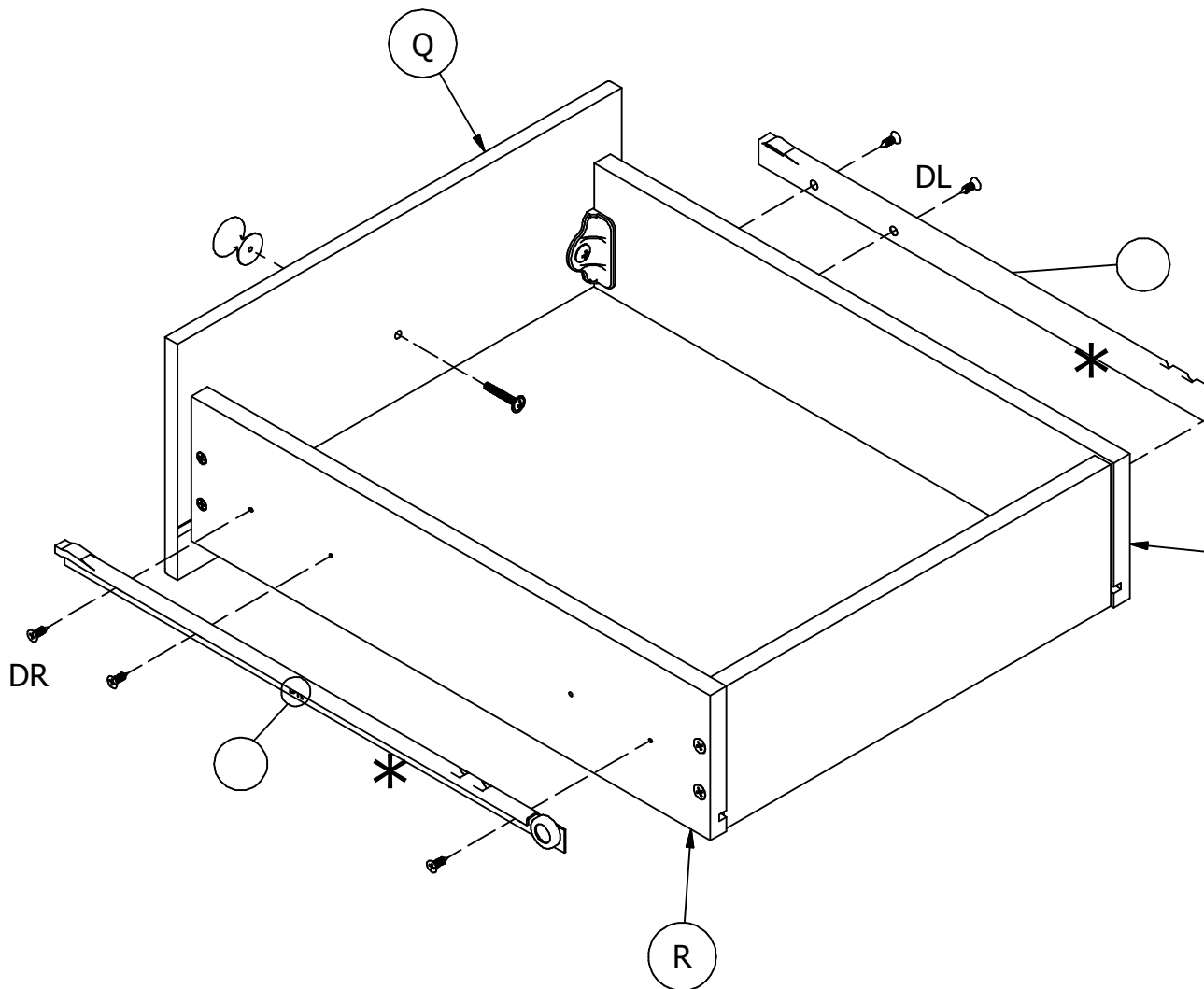
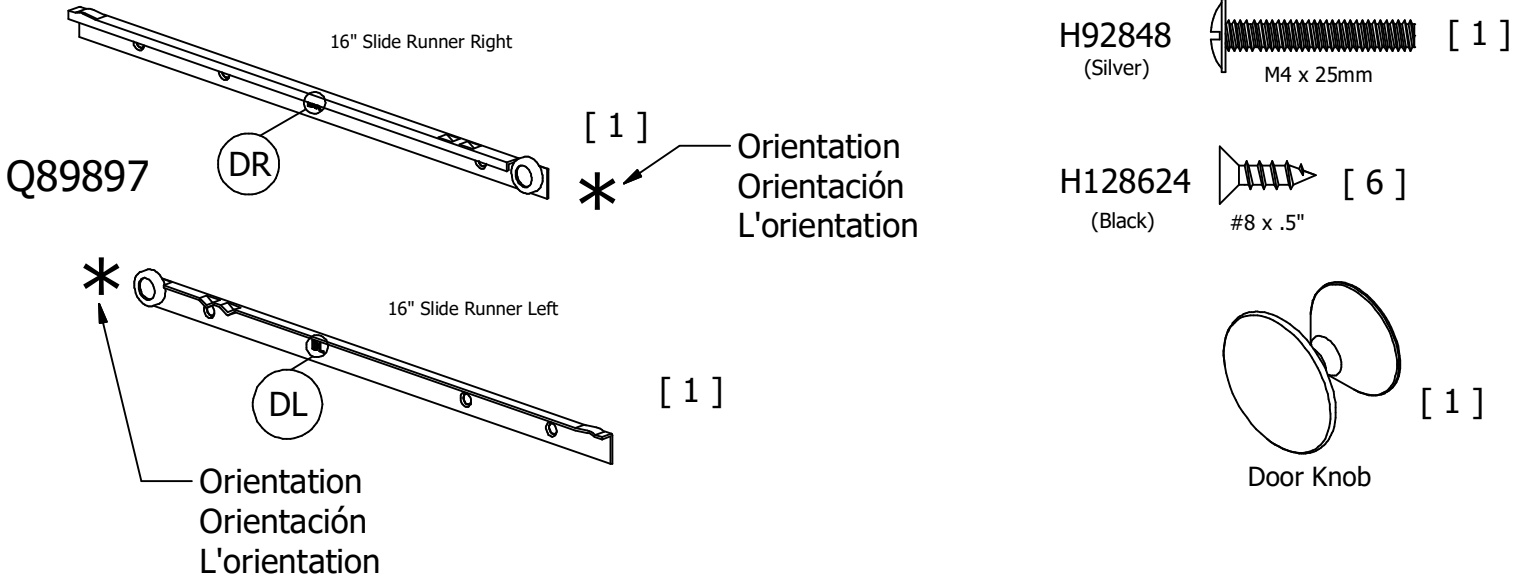


Have an assembly question or need a replacement part? Just call
1-800-950-4782, we are here to help.

STEP 8

Attach Hardware

A175390G

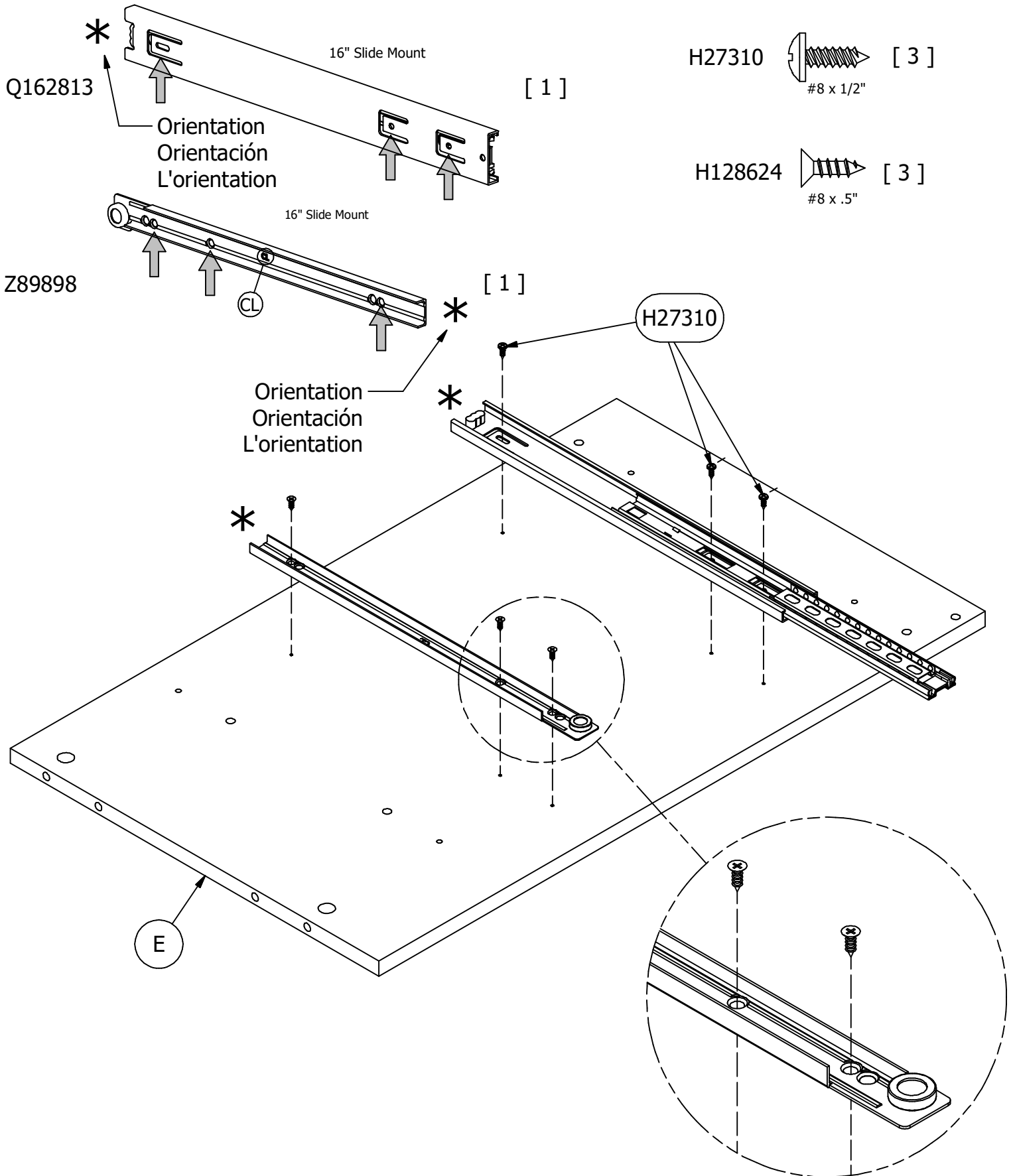


Have an assembly question or need a replacement part? Just call **1-800-950-4782**, we are here to help.

STEP 9

Prepare Panel

A175390G



Have an assembly question or need a replacement part? Just call
1-800-950-4782, we are here to help.

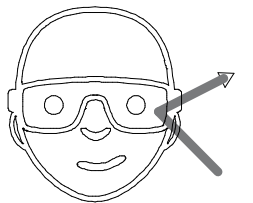
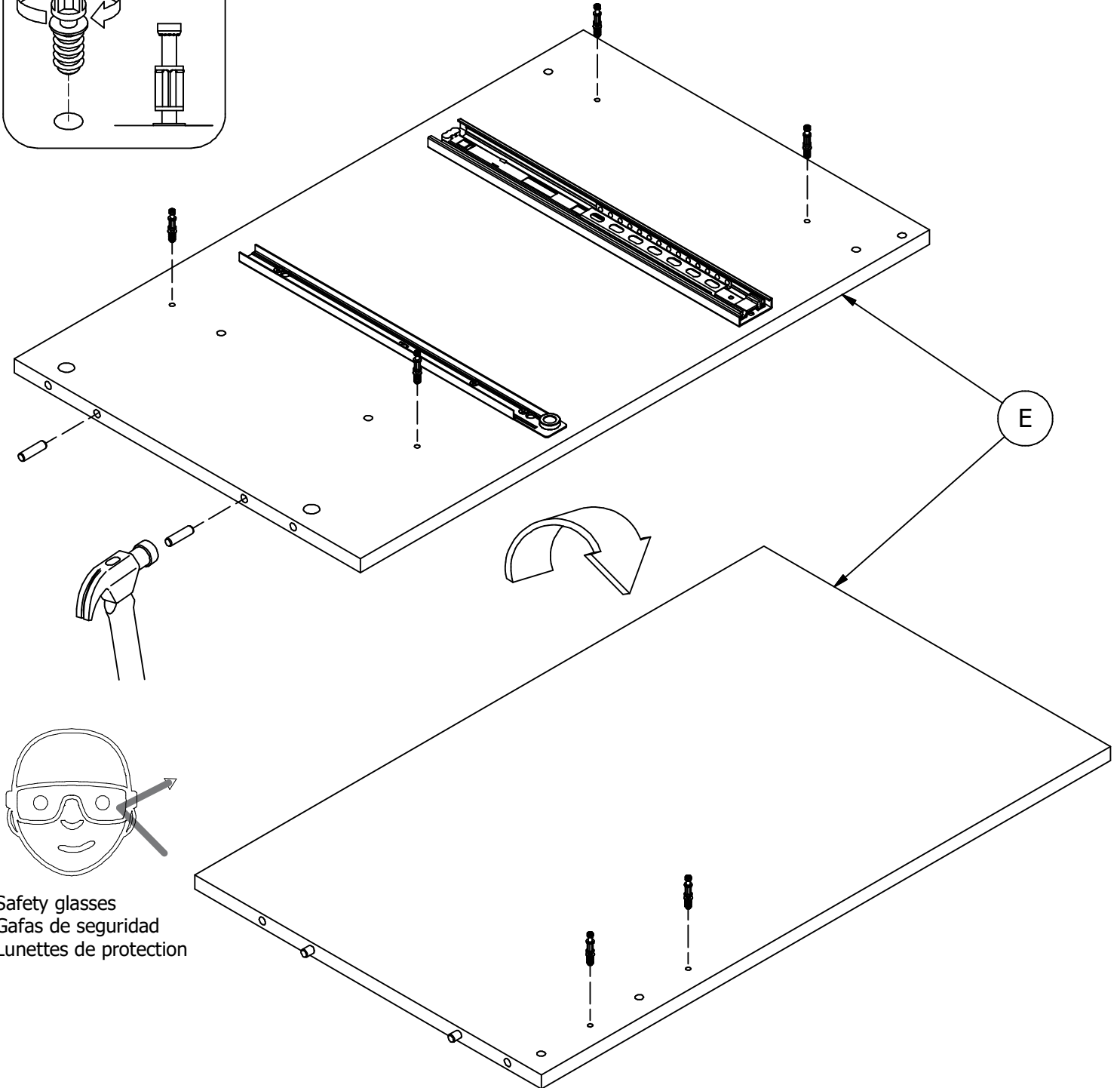
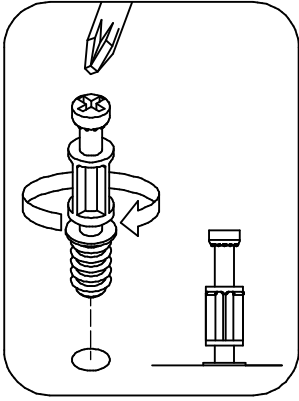
STEP 10

Prepare Panel

A175390G

H72988 [6]
KD Bolt

H38169 [2]
Wood Dowel 8 x 30



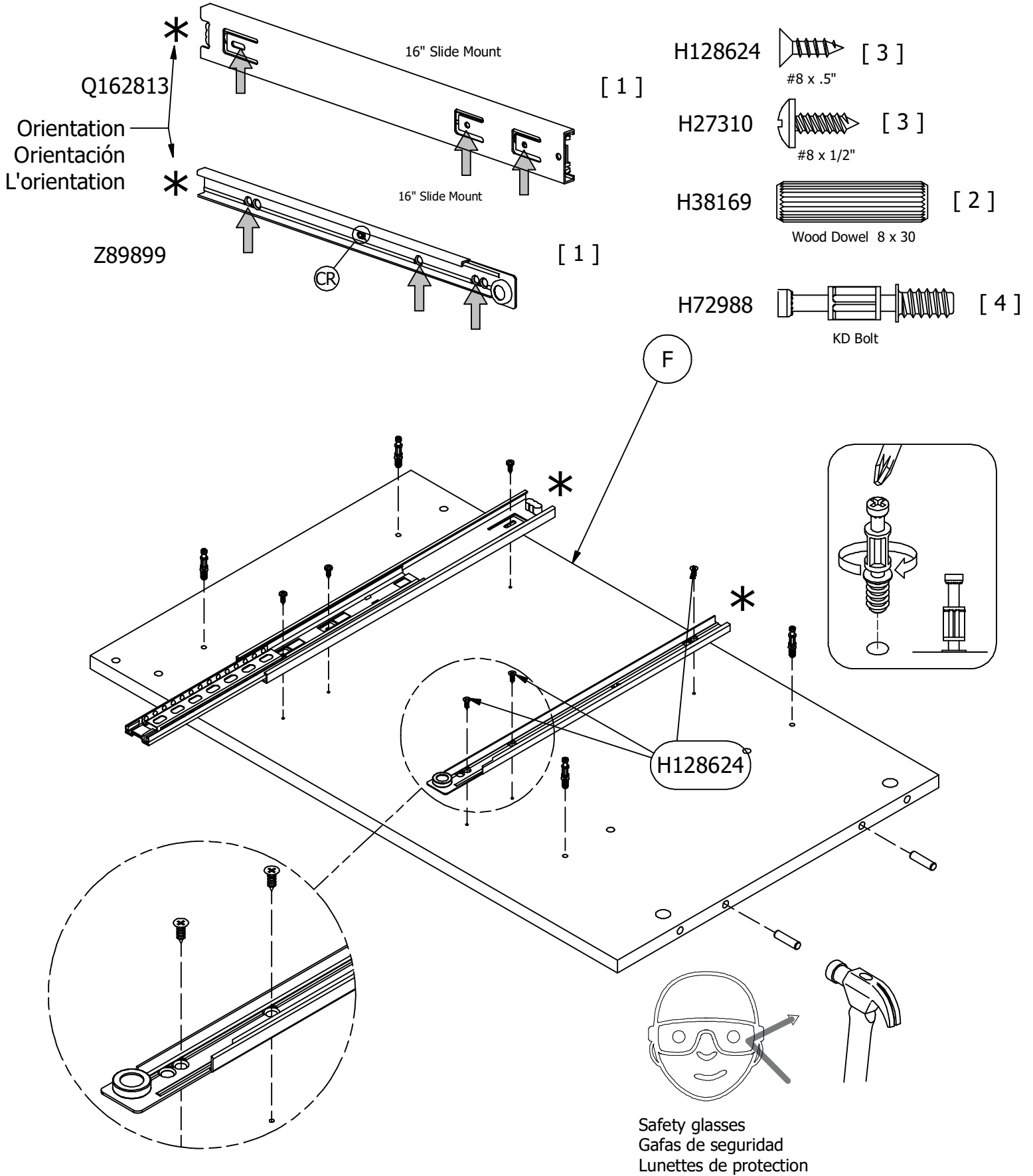
Safety glasses
Gafas de seguridad
Lunettes de protection

Have an assembly question or need a replacement part? Just call
1-800-950-4782, we are here to help.

STEP 11

Prepare Panel

A175390G



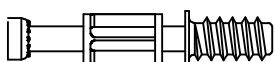
Have an assembly question or need a replacement part? Just call
1-800-950-4782, we are here to help.

STEP 12

Prepare Panels

A175390G

H72988



[1]

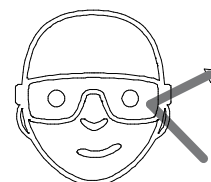
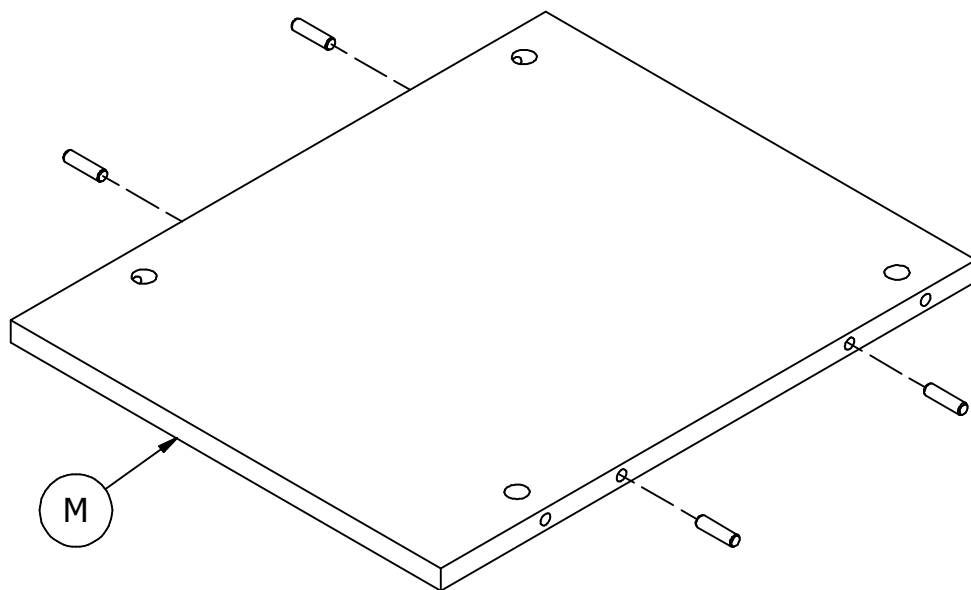
KD Bolt

H38169

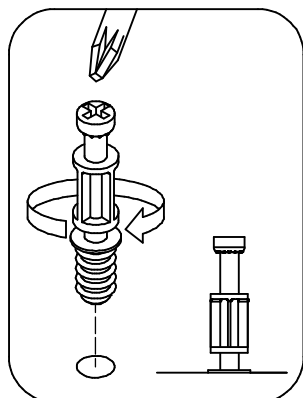
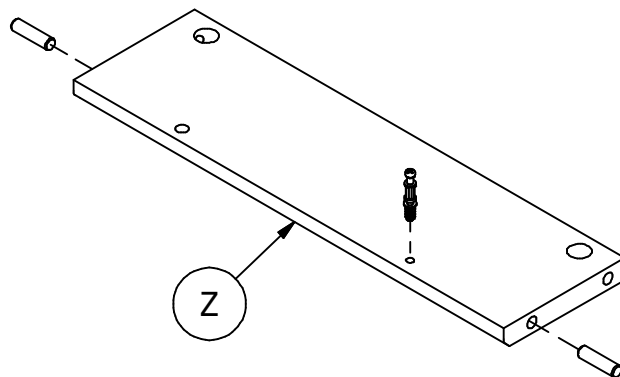
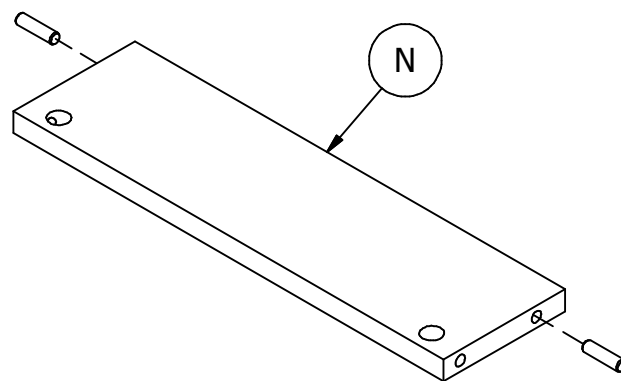


[8]

Wood Dowel 8 x 30



Safety glasses
Gafas de seguridad
Lunettes de protection



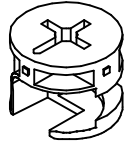
Have an assembly question or need a replacement part? Just call
1-800-950-4782, we are here to help.

Scan QR Code to Watch Video on:



How to Tighten KD Cams

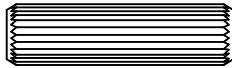
H71659



[1]

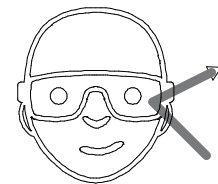
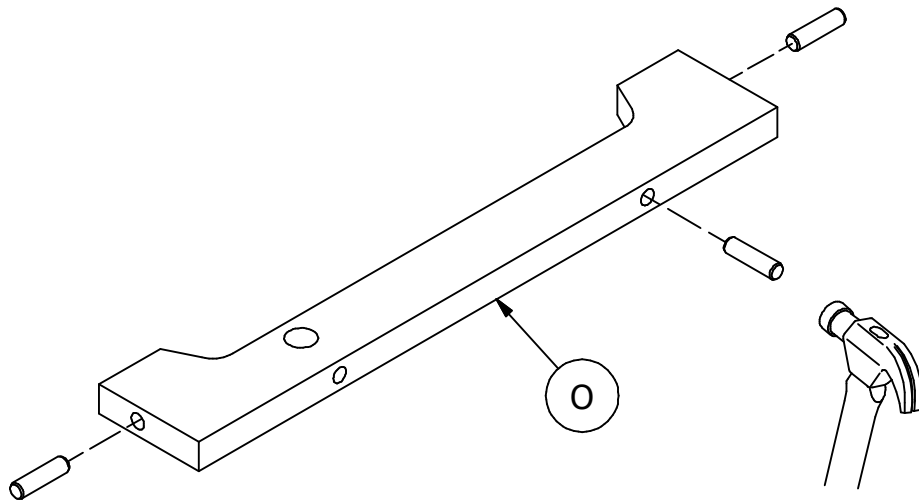
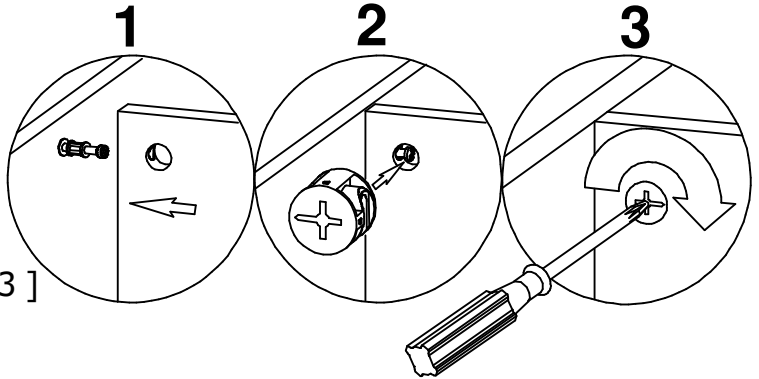
KD Cam

H38169

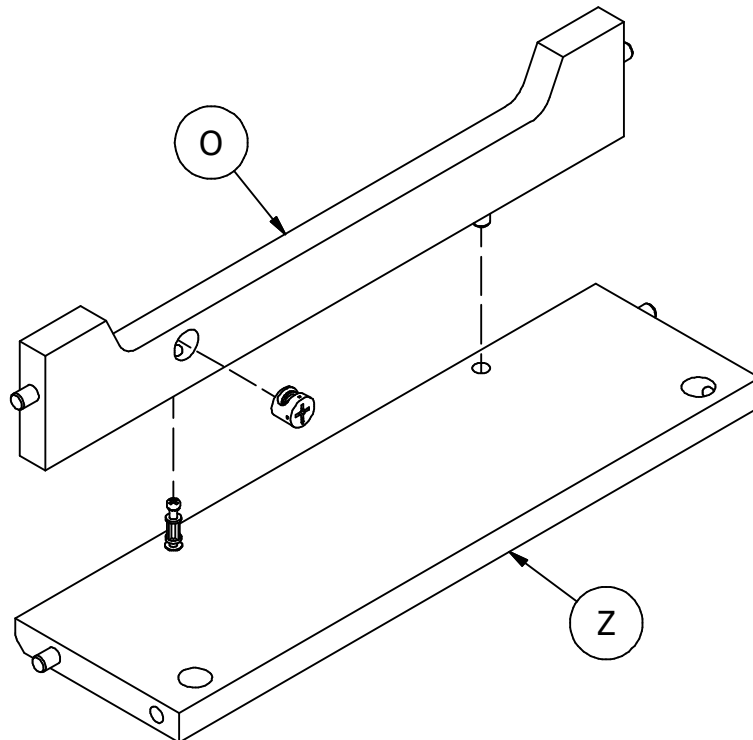


[3]

Wood Dowel 8 x 30



Safety glasses
Gafas de seguridad
Lunettes de protection



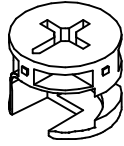
Have an assembly question or need a replacement part? Just call **1-800-950-4782**, we are here to help.

Scan QR Code to Watch Video on:



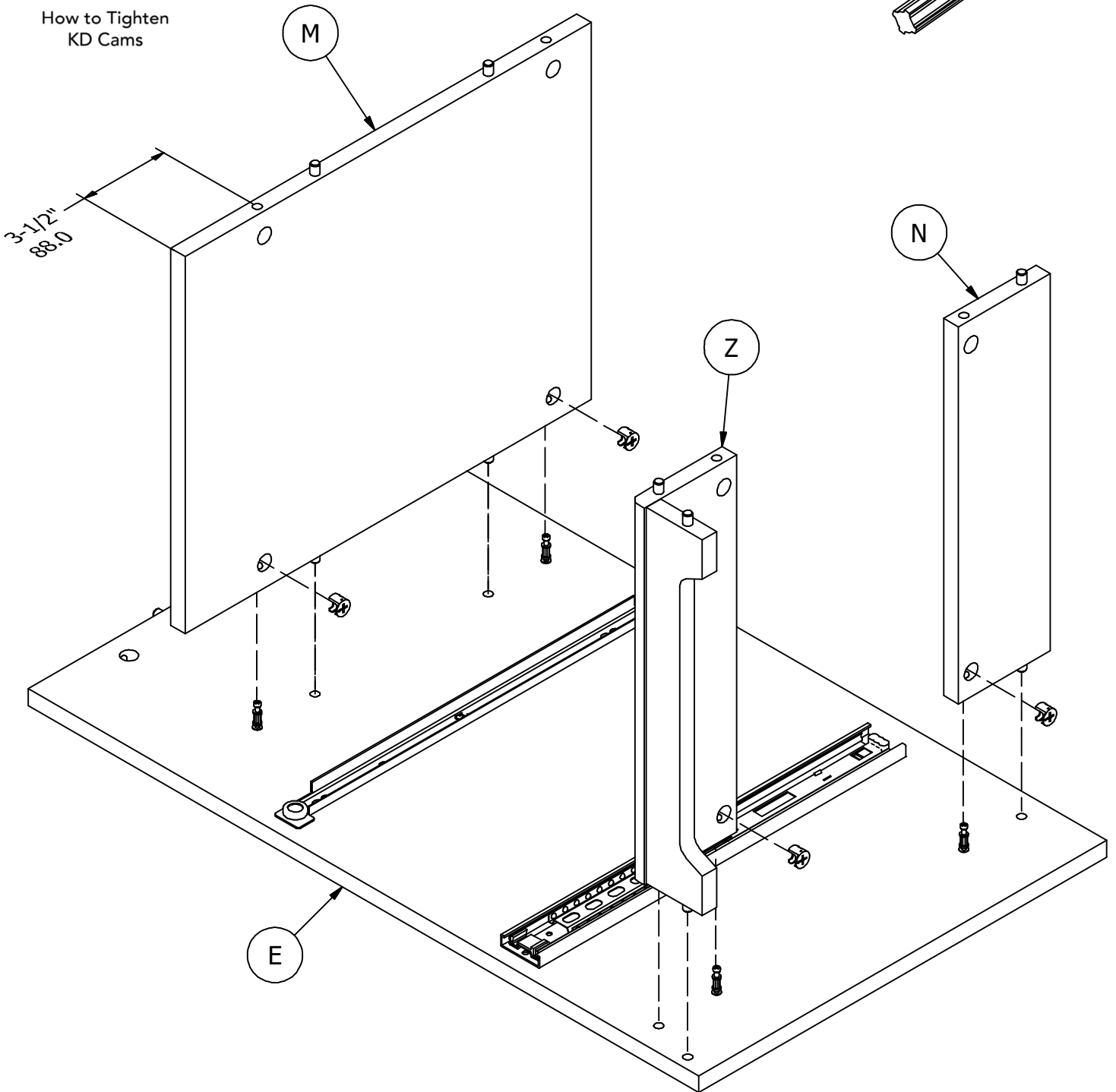
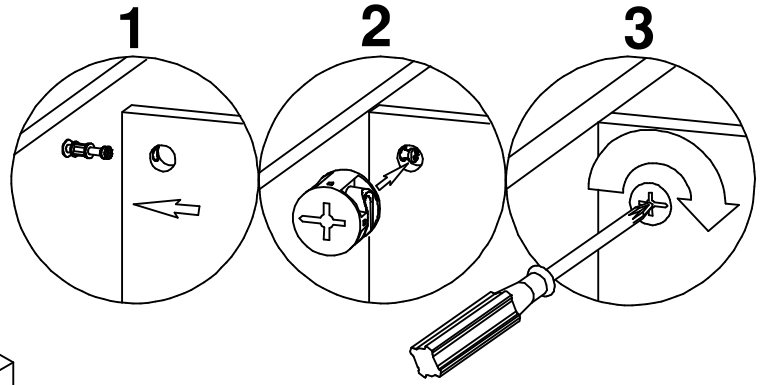
How to Tighten KD Cams

H71659



KD Cam

[4]



Have an assembly question or need a replacement part? Just call **1-800-950-4782**, we are here to help.

STEP 15

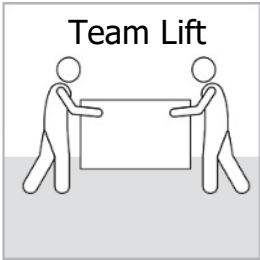
Assemble Panels

A175390G

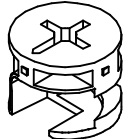
Scan QR Code to Watch Video on:



How to Tighten KD Cams

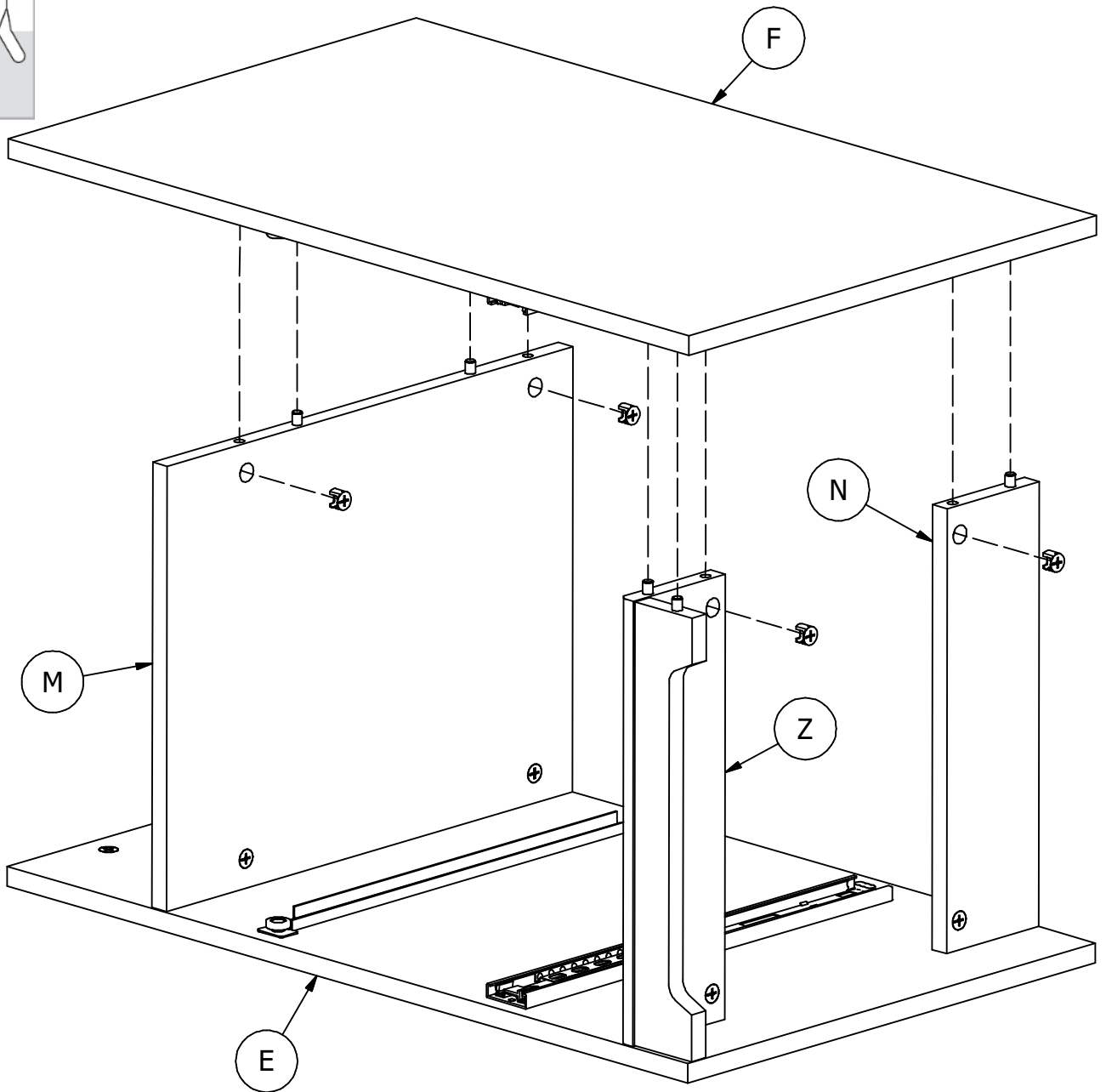
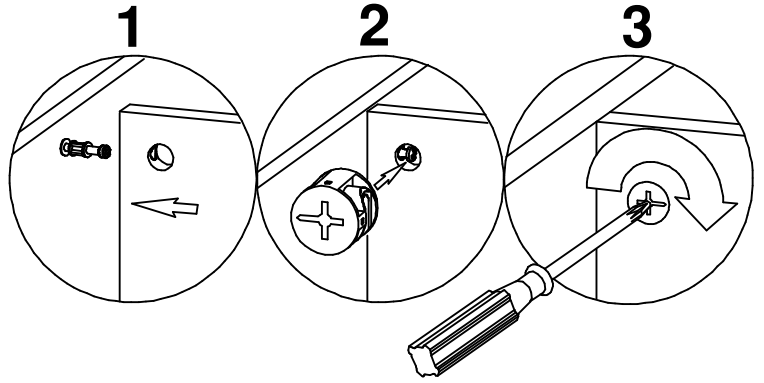


H71659



KD Cam

[4]

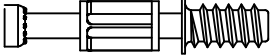


Have an assembly question or need a replacement part? Just call **1-800-950-4782**, we are here to help.

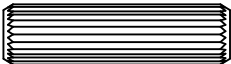
STEP 16

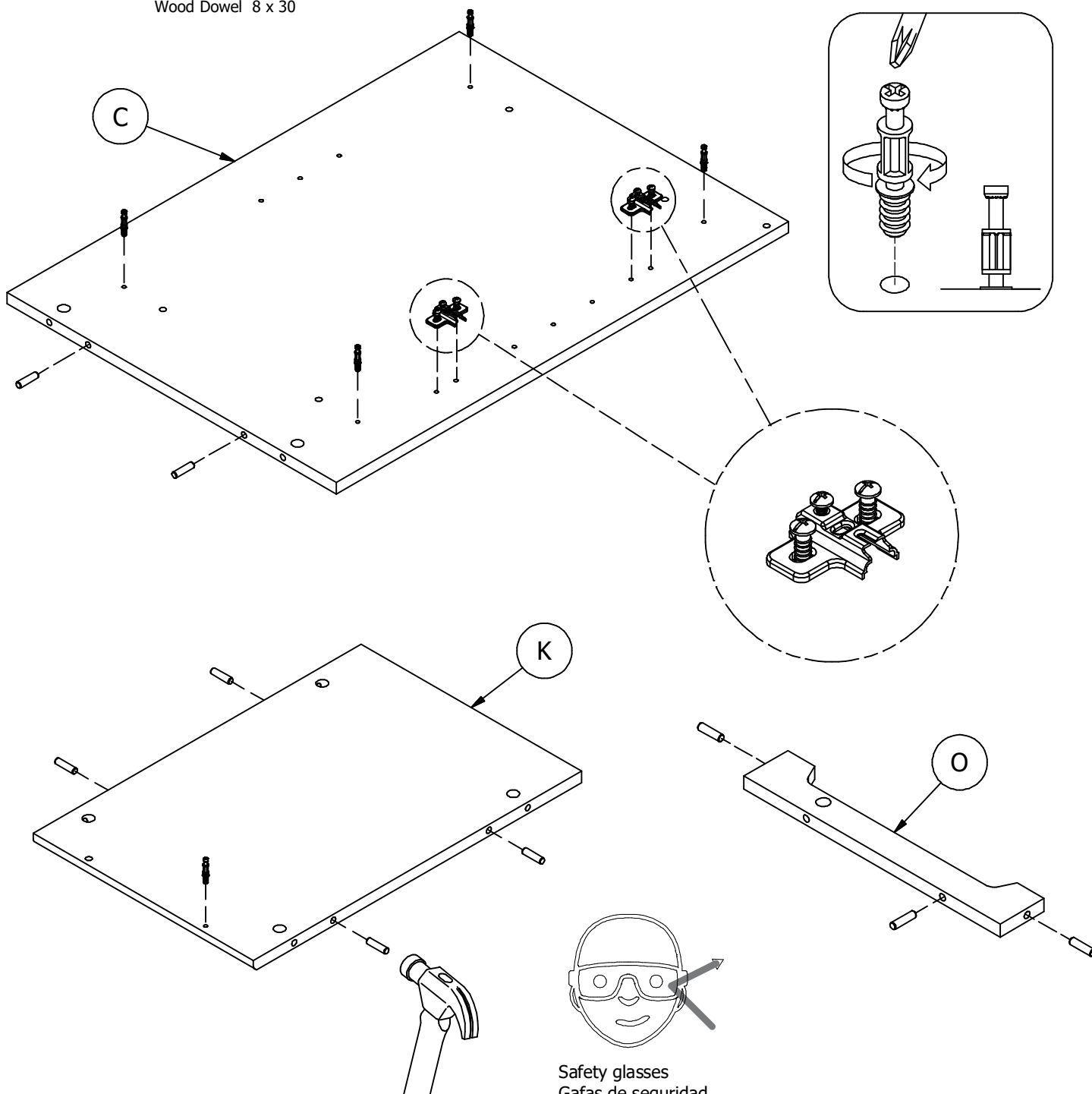
Prepare Panels

A175390G

H72988  [5]
KD Bolt

H126758  [2]
Mounting Plate

H38169  [9]
Wood Dowel 8 x 30



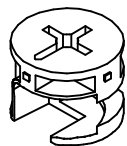
Have an assembly question or need a replacement part? Just call
1-800-950-4782, we are here to help.

Scan QR Code to Watch Video on:



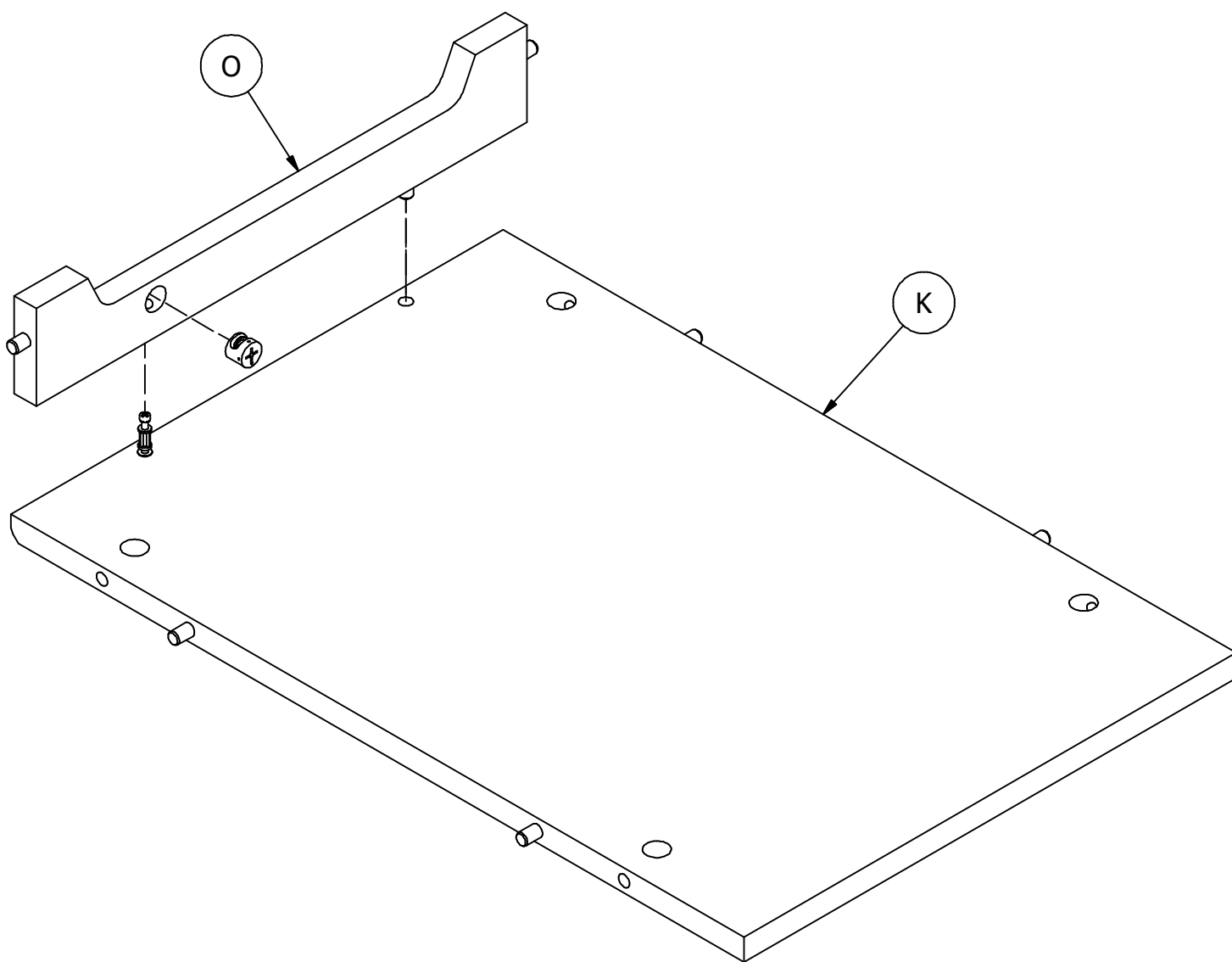
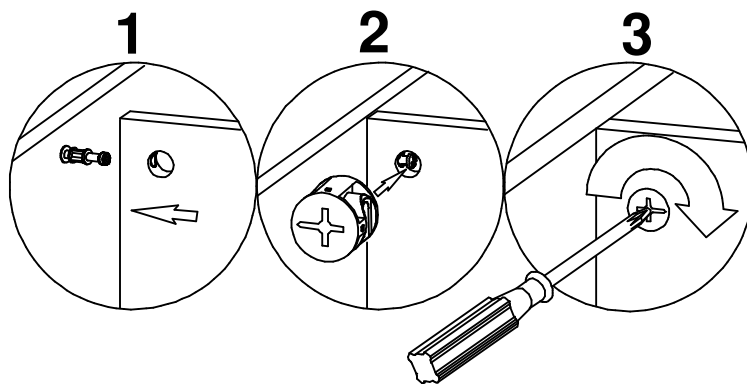
How to Tighten KD Cams

H71659



KD Cam

[1]



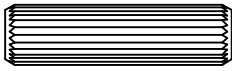
Have an assembly question or need a replacement part? Just call **1-800-950-4782**, we are here to help.

STEP 18

Prepare Panel

A175390G

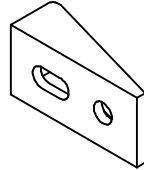
H38169



Wood Dowel 8 x 30

[4]

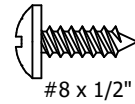
H32024



Lock Clip

[1]

H27310



#8 x 1/2"

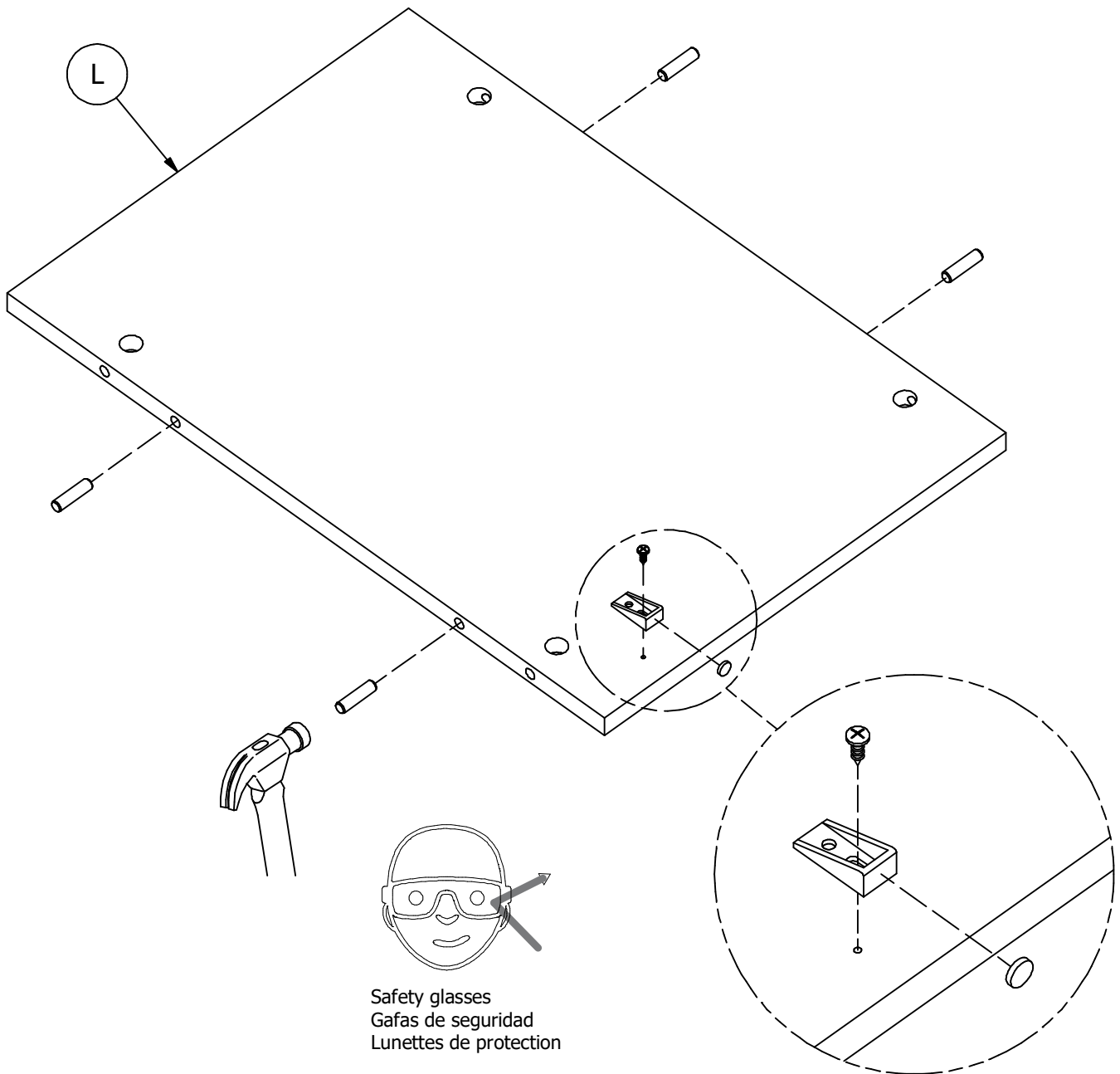
[1]

H77351



Bumper

[1]



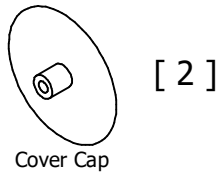
Safety glasses
Gafas de seguridad
Lunettes de protection

Have an assembly question or need a replacement part? Just call
1-800-950-4782, we are here to help.

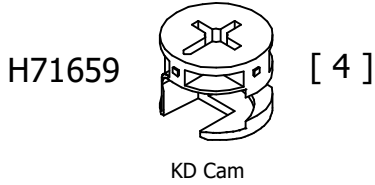
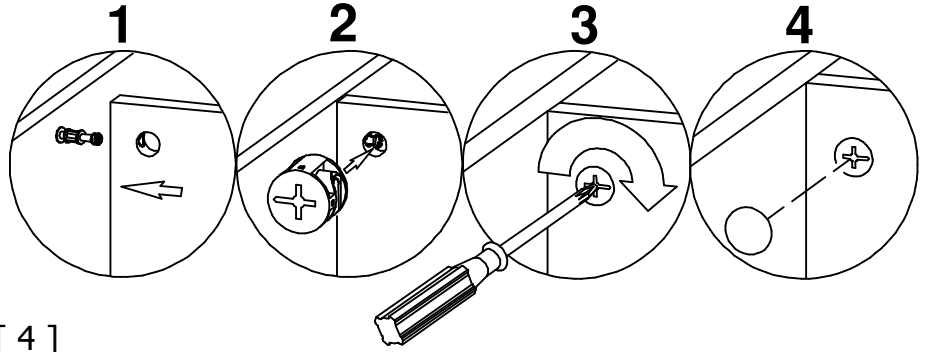
Scan QR Code to Watch Video on:



How to Tighten KD Cams

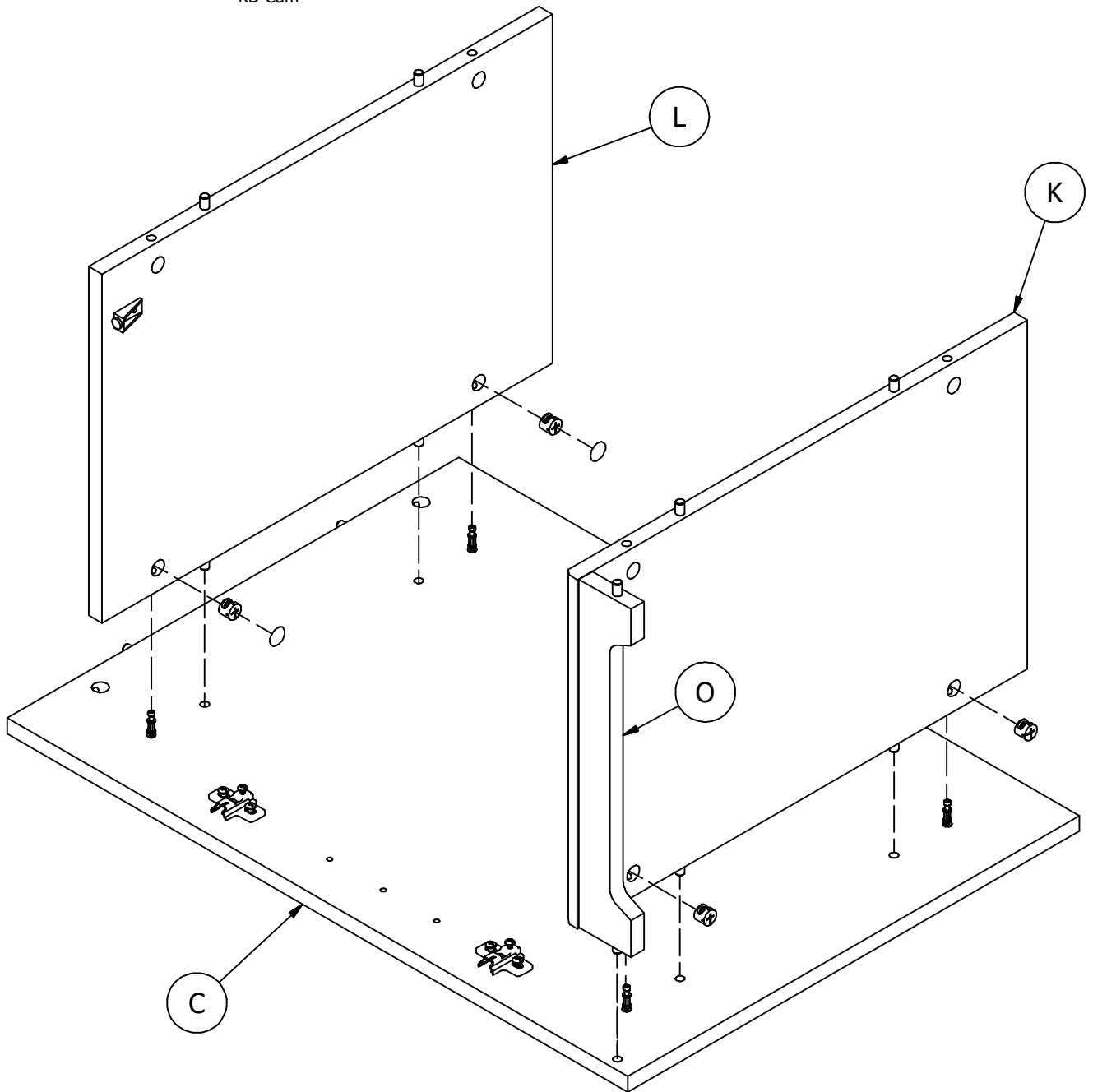


Cover Cap



H71659

KD Cam

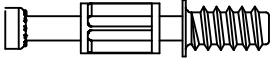


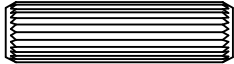
Have an assembly question or need a replacement part? Just call **1-800-950-4782**, we are here to help.

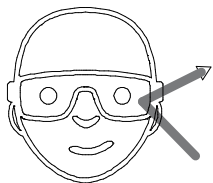
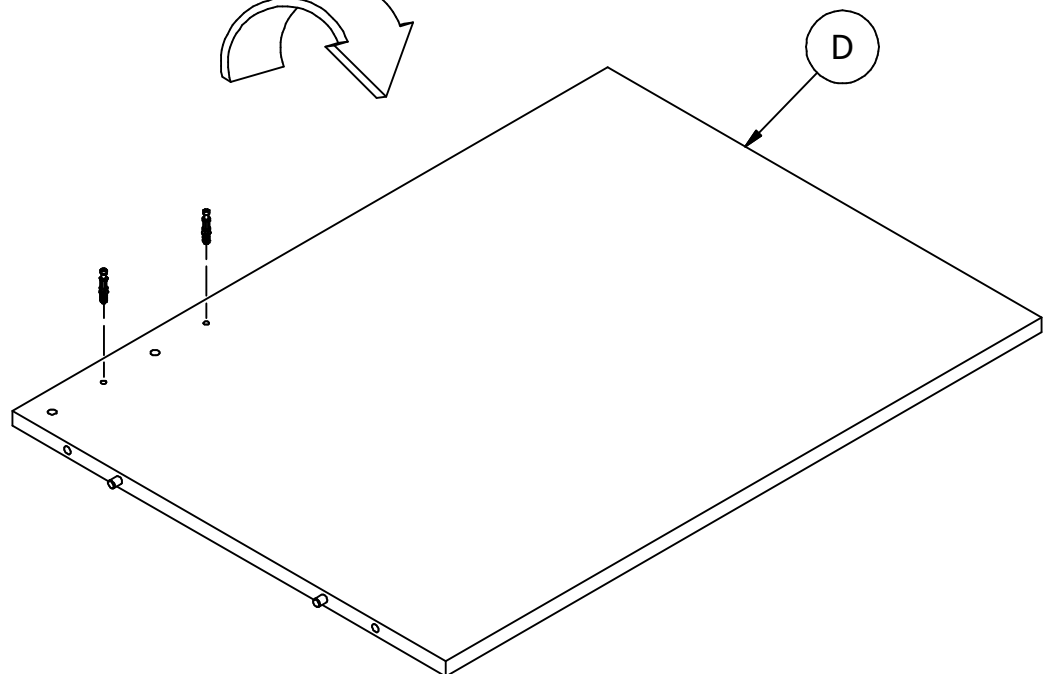
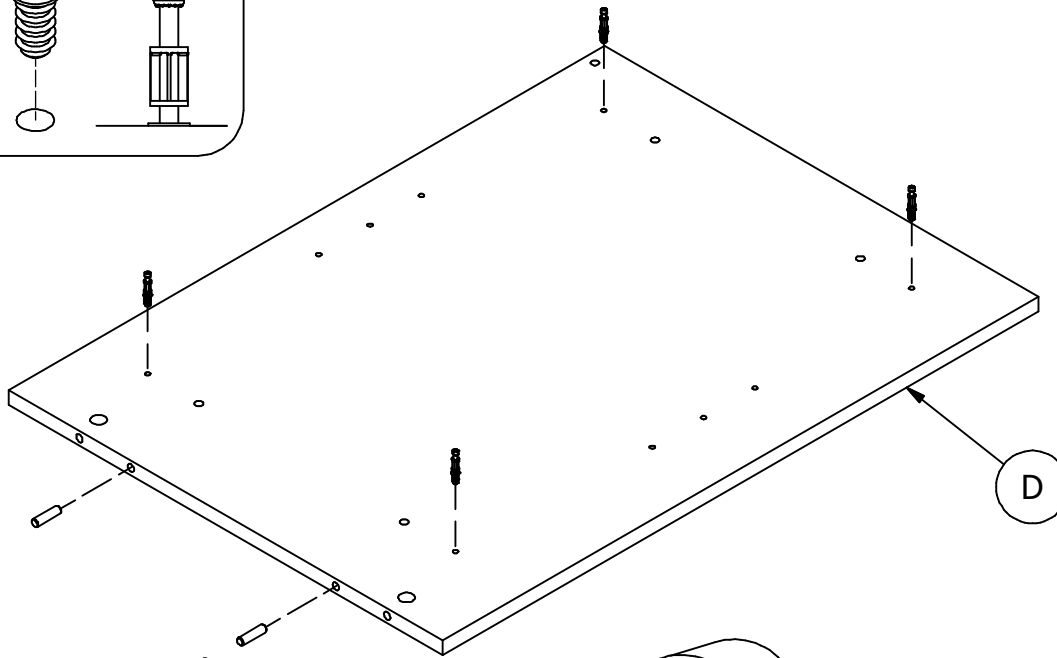
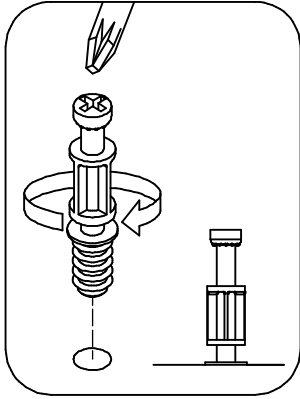
STEP 20

Prepare Panel

A175390G

H72988  [6]
KD Bolt

H38169  [2]
Wood Dowel 8 x 30



Safety glasses
Gafas de seguridad
Lunettes de protection

Have an assembly question or need a replacement part? Just call
1-800-950-4782, we are here to help.

STEP 21

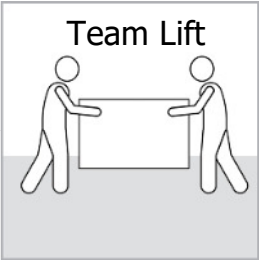
Assemble Panels

A175390G

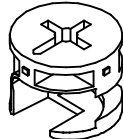
Scan QR Code to Watch Video on:



How to Tighten KD Cams

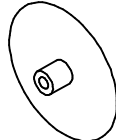


H71659



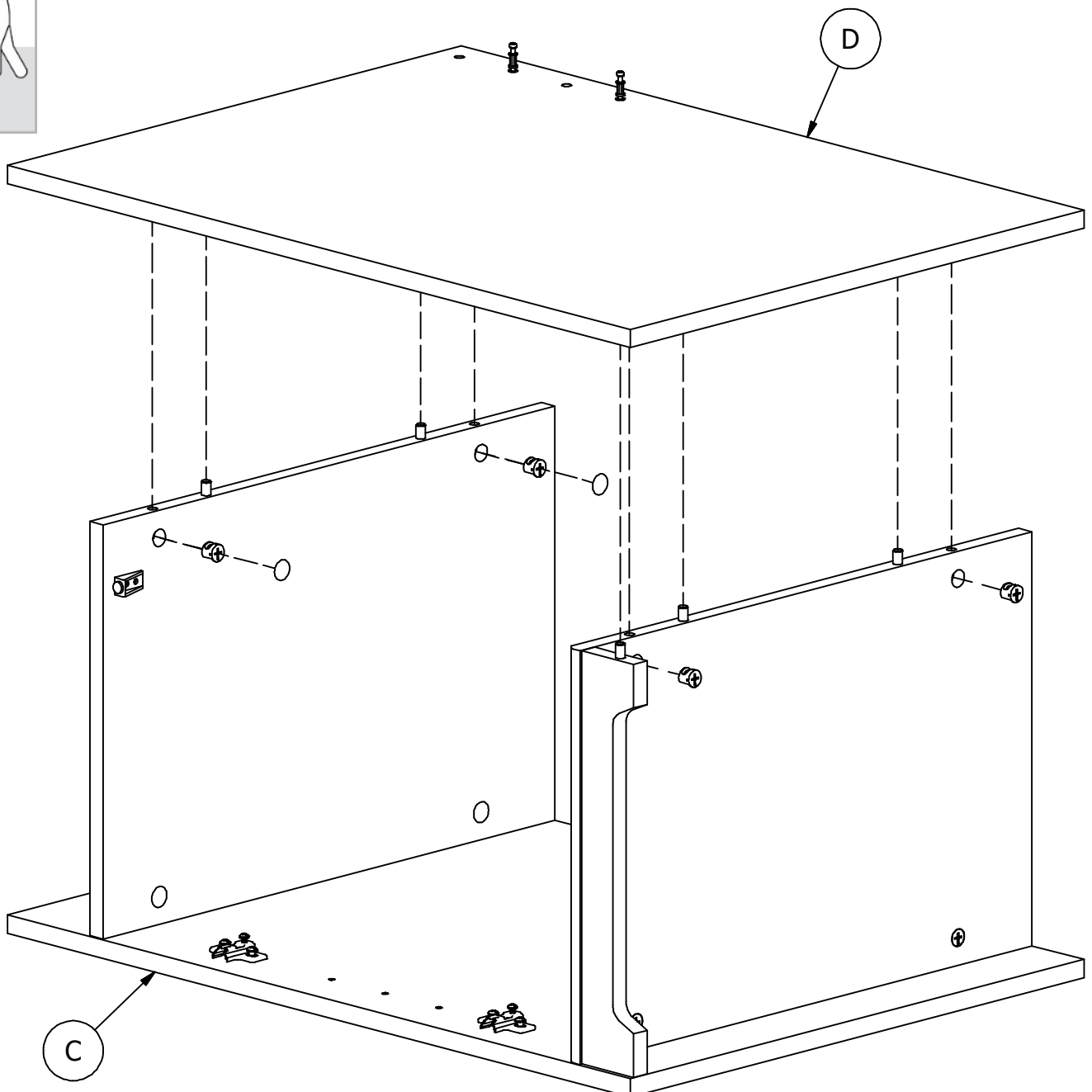
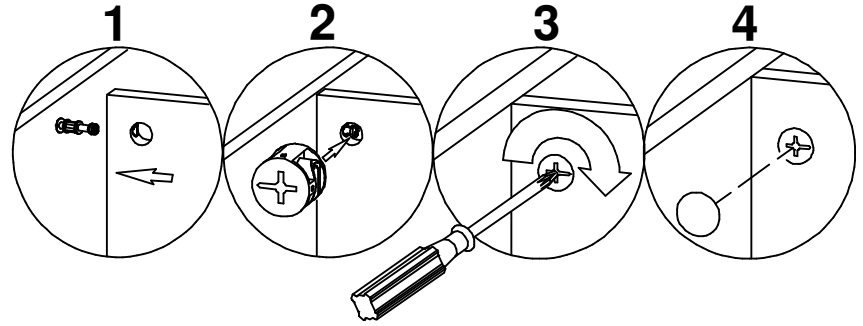
[4]

KD Cam



[2]

Cover Cap

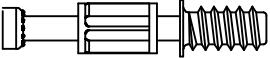



Have an assembly question or need a replacement part? Just call **1-800-950-4782**, we are here to help.

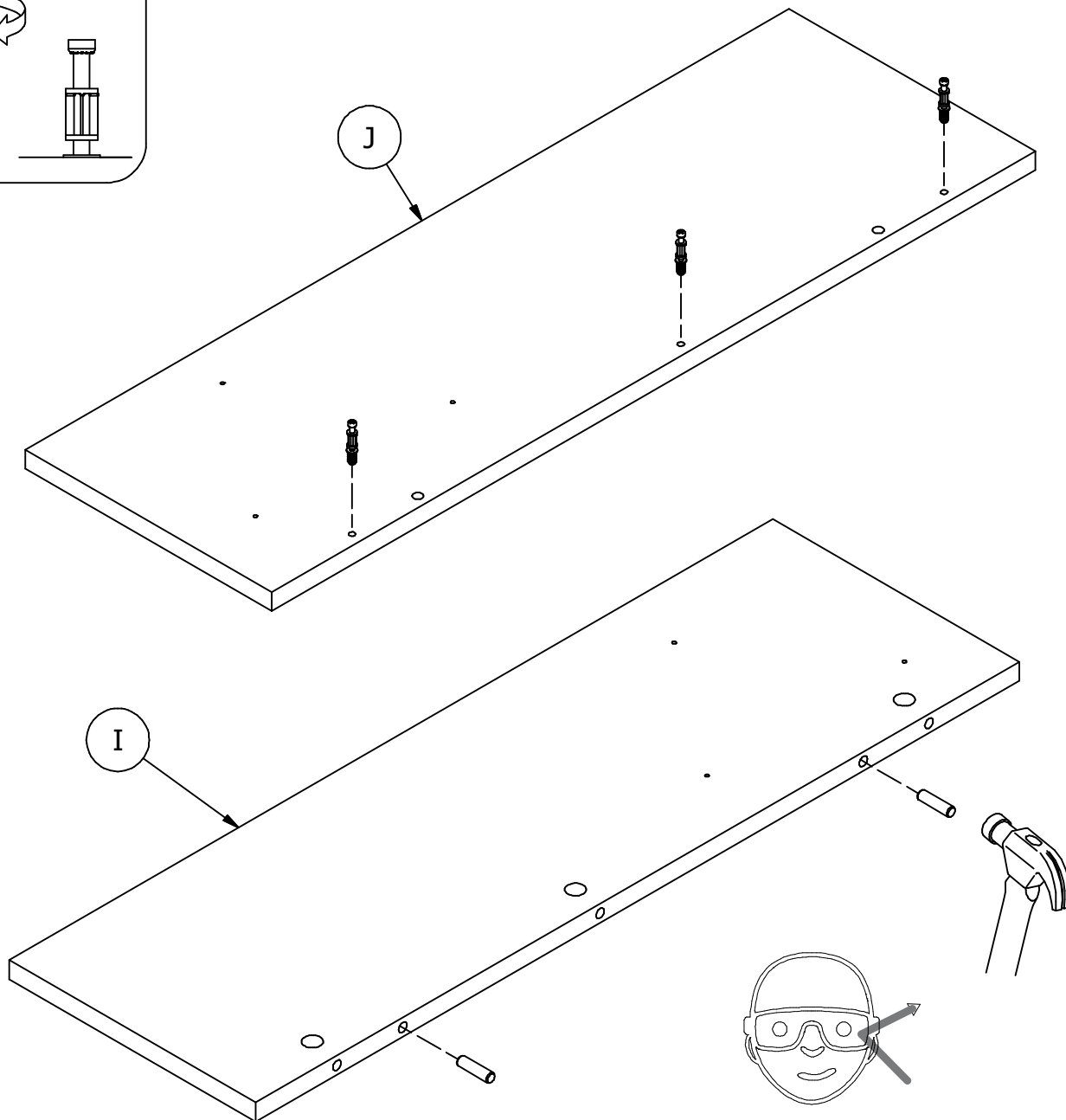
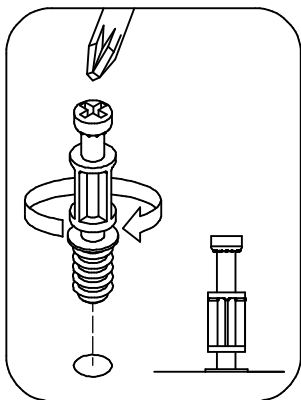
STEP 22

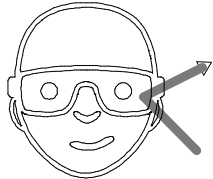
Prepare Panels

A175390G

H72988  [3]
KD Bolt

H38169  [2]
Wood Dowel 8 x 30




Safety glasses
Gafas de seguridad
Lunettes de protection

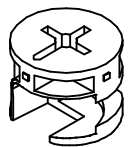
Have an assembly question or need a replacement part? Just call
1-800-950-4782, we are here to help.

Scan QR Code to Watch Video on:



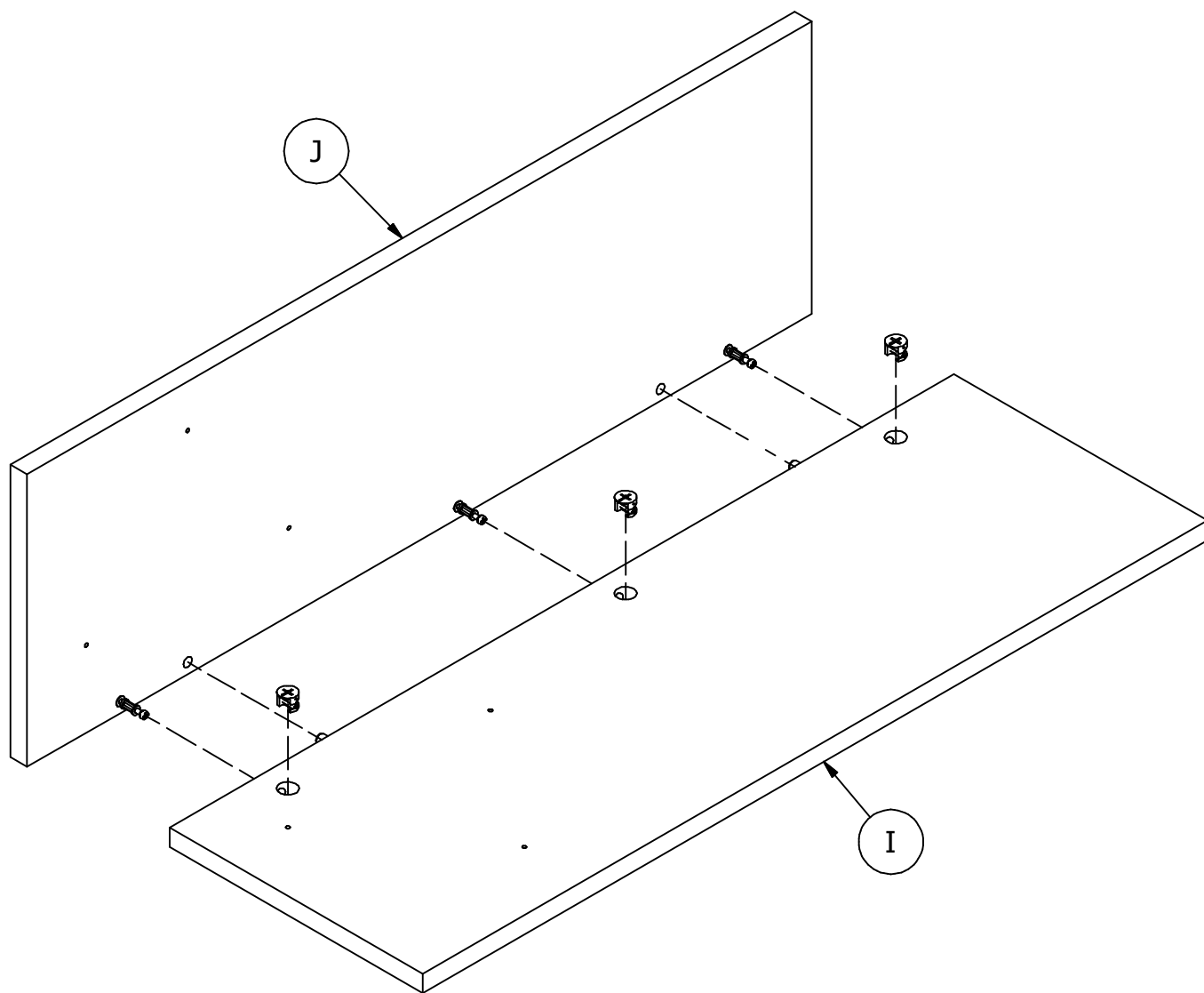
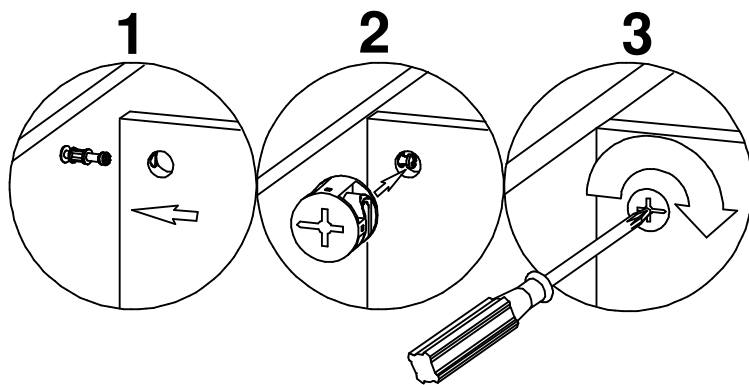
How to Tighten KD Cams

H71659



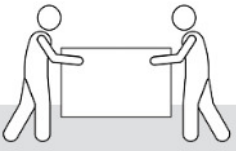
KD Cam

[3]

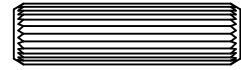


Have an assembly question or need a replacement part? Just call **1-800-950-4782**, we are here to help.

Team Lift

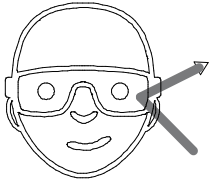


H38169

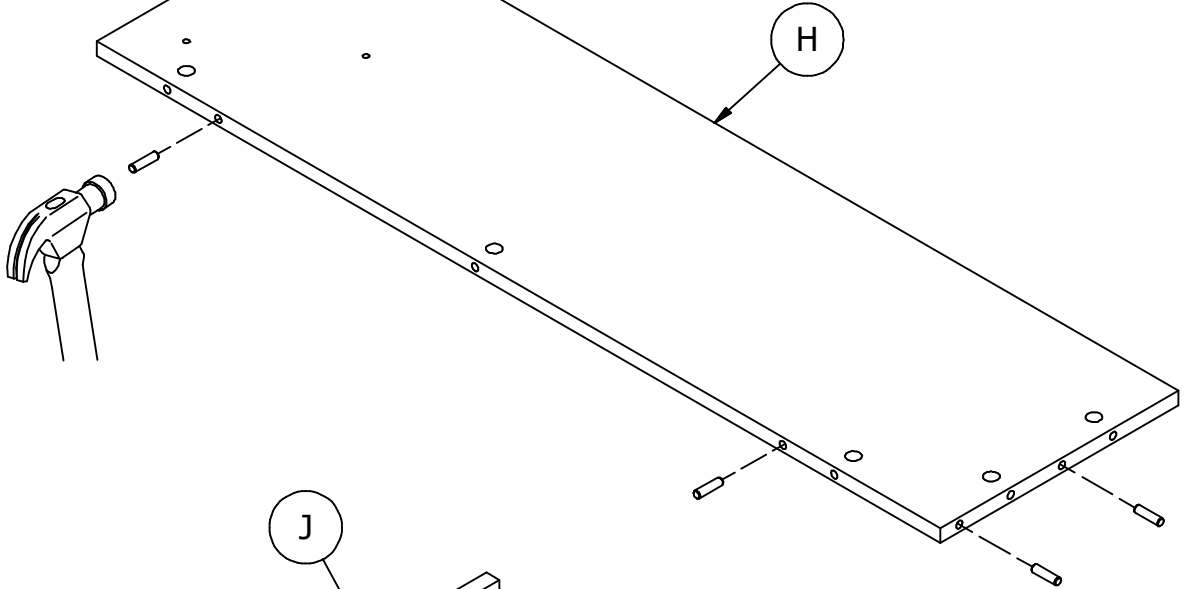


[4]

Wood Dowel 8 x 30

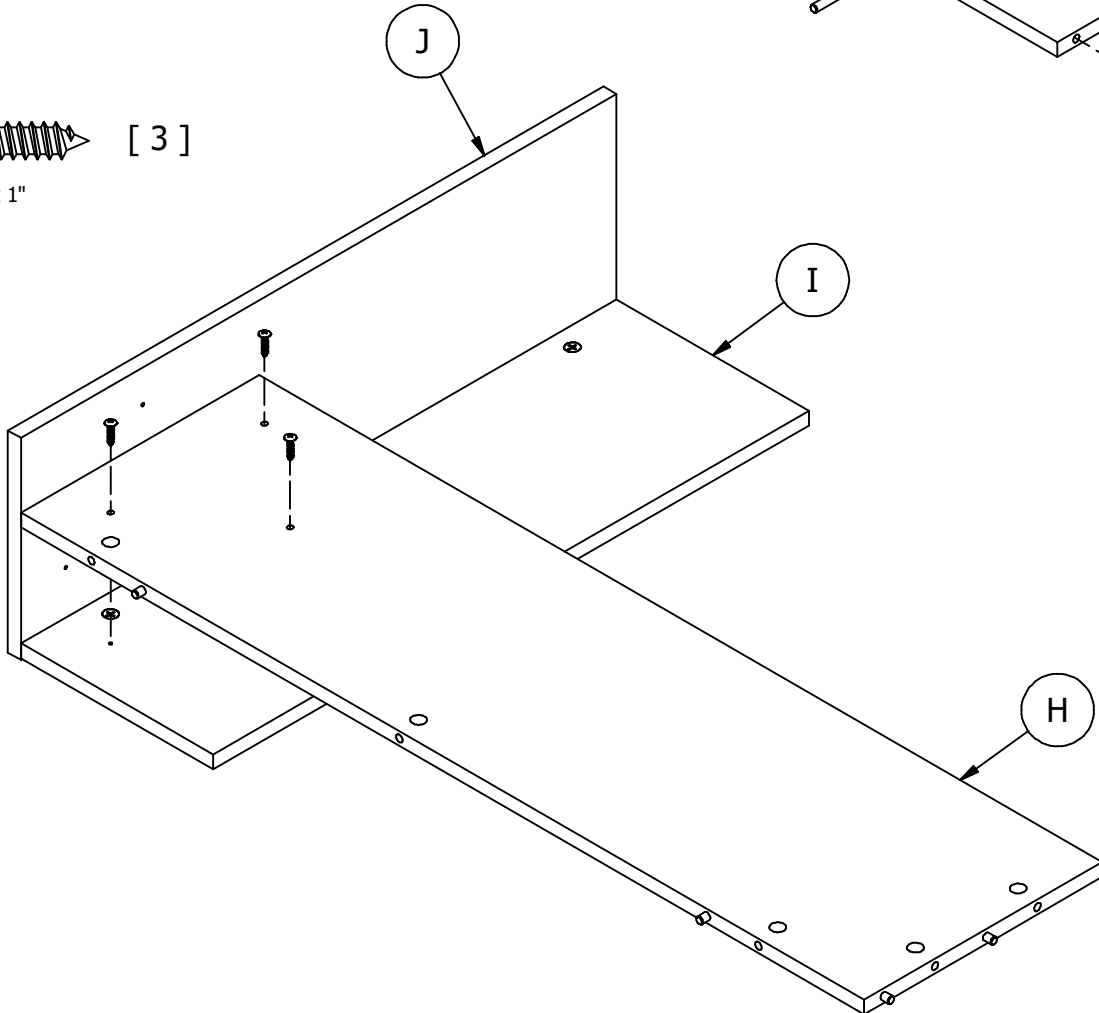


Safety glasses
Gafas de seguridad
Lunettes de protection



[3]

#10 x 1"



Have an assembly question or need a replacement part? Just call
1-800-950-4782, we are here to help.

STEP 25

Assemble Panels

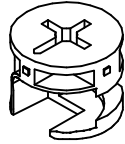
A175390G

Scan QR Code to Watch Video on:



How to Tighten KD Cams

H71659



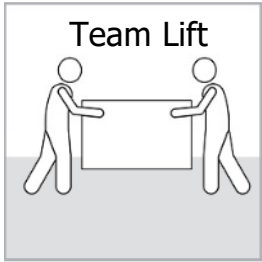
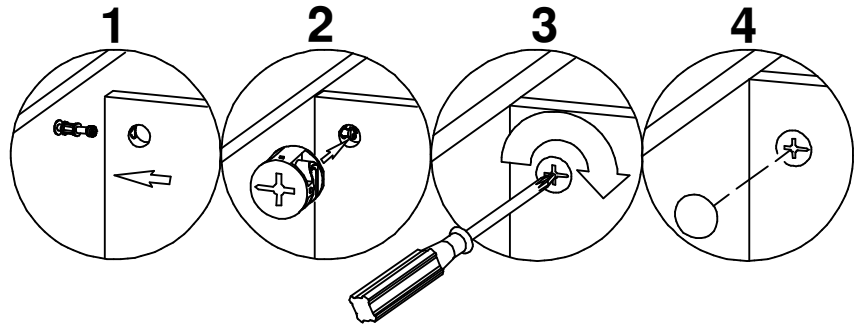
KD Cam

[2]

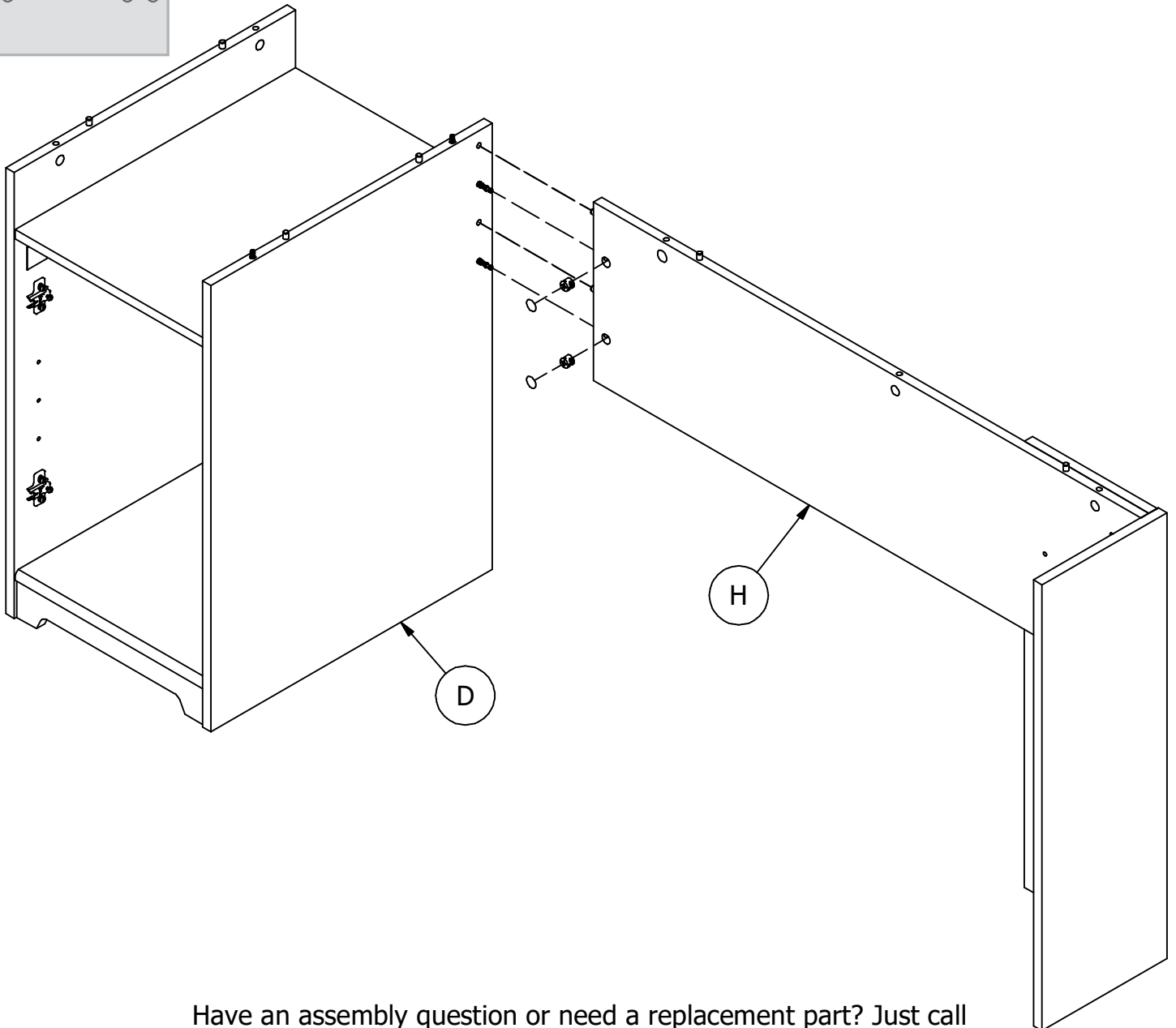


Cover Cap

[2]



Team Lift



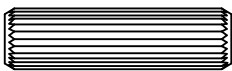
Have an assembly question or need a replacement part? Just call **1-800-950-4782**, we are here to help.

STEP 26

Prepare Panel

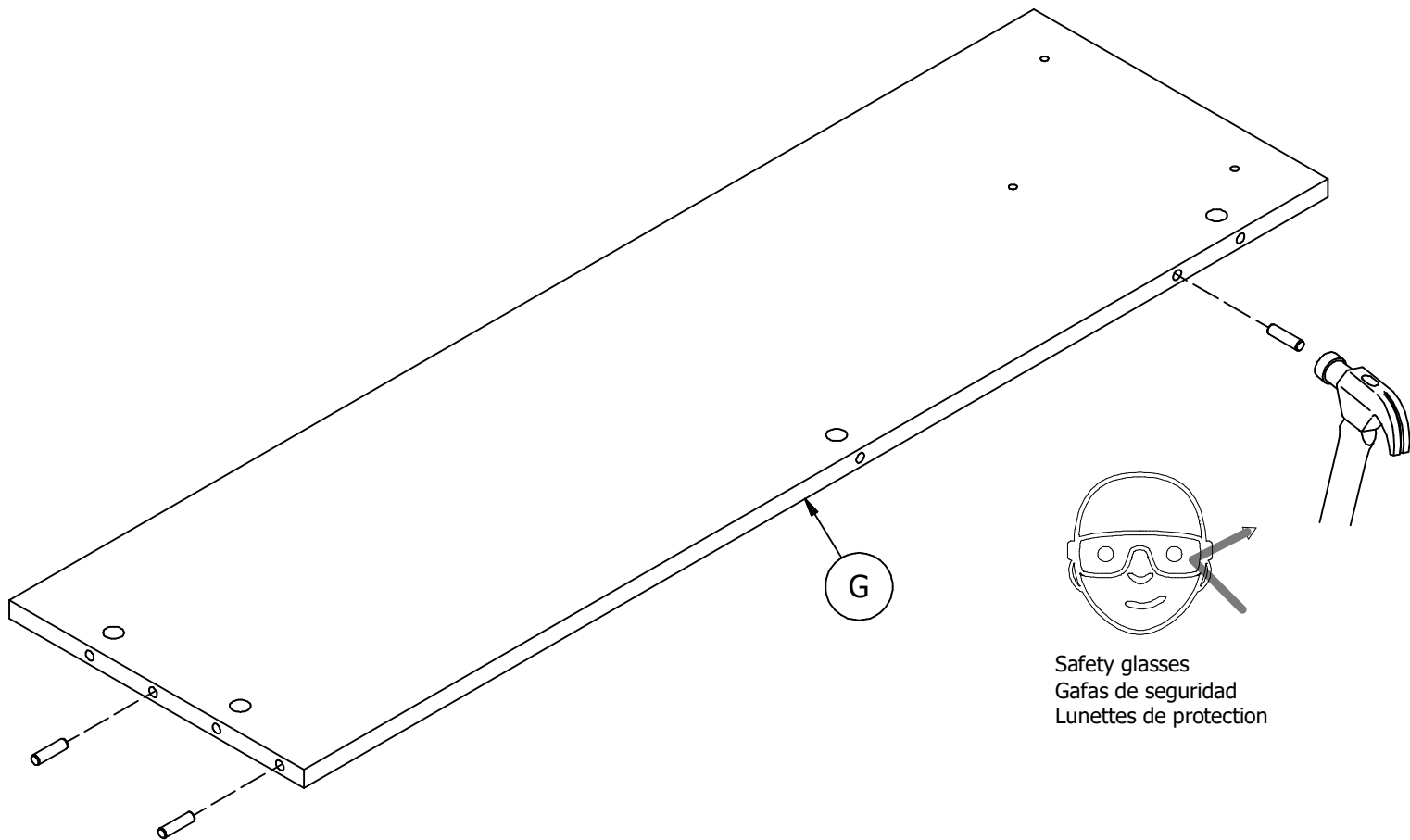
A175390G

H38169



[3]

Wood Dowel 8 x 30



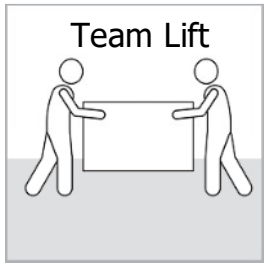
Safety glasses
Gafas de seguridad
Lunettes de protection

Have an assembly question or need a replacement part? Just call
1-800-950-4782, we are here to help.

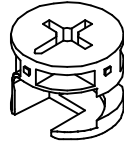
Scan QR Code to Watch Video on:



How to Tighten KD Cams



H71659



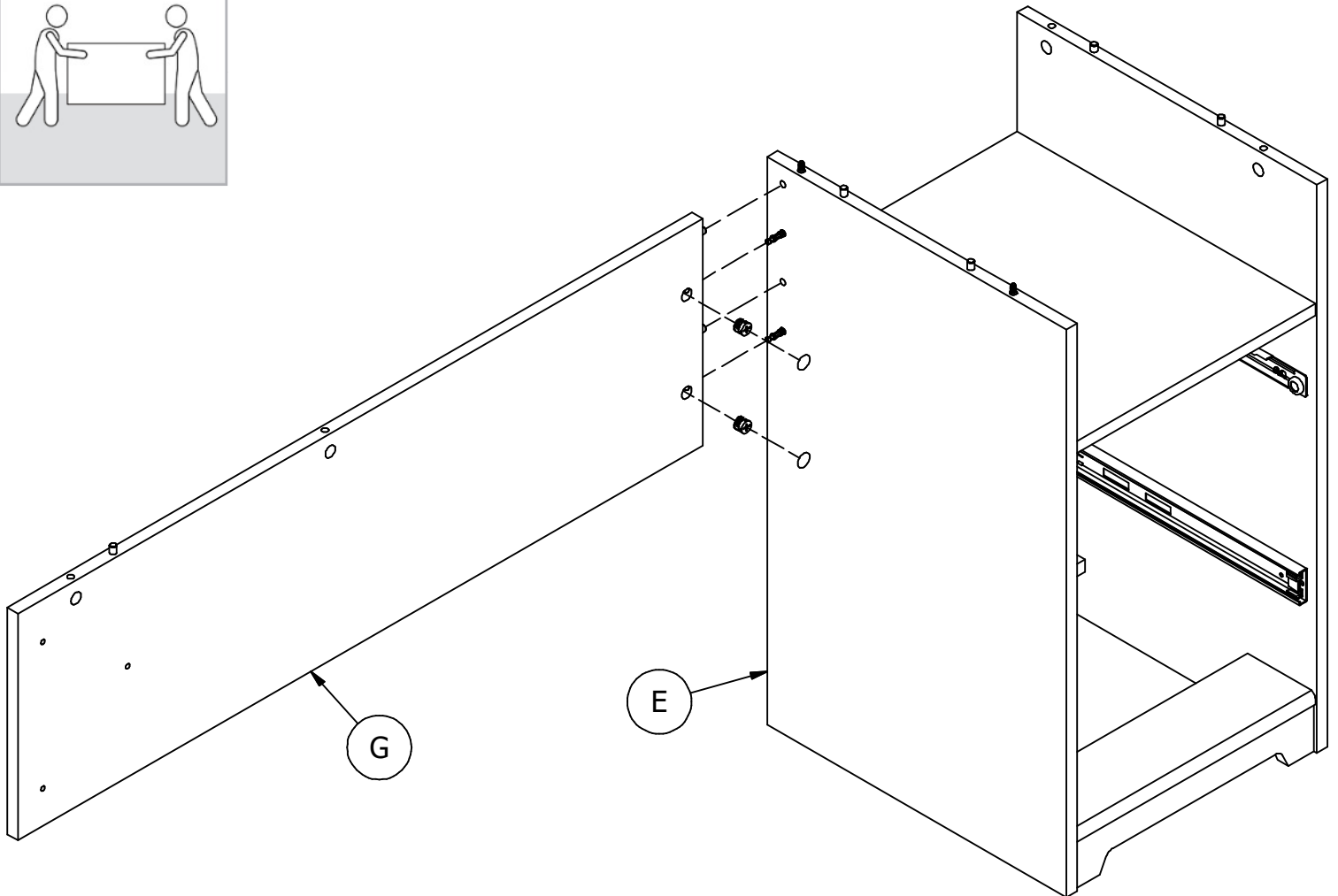
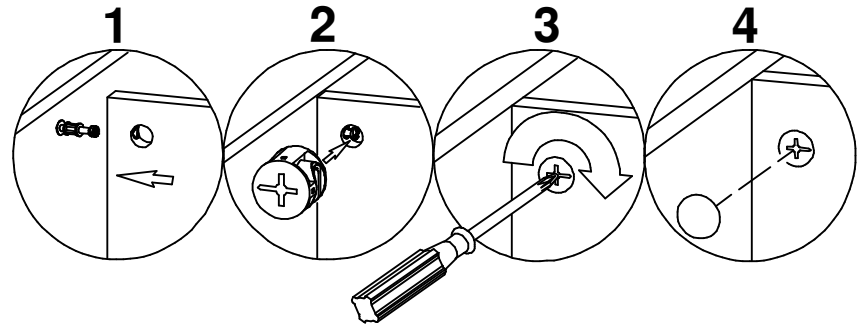
KD Cam

[2]

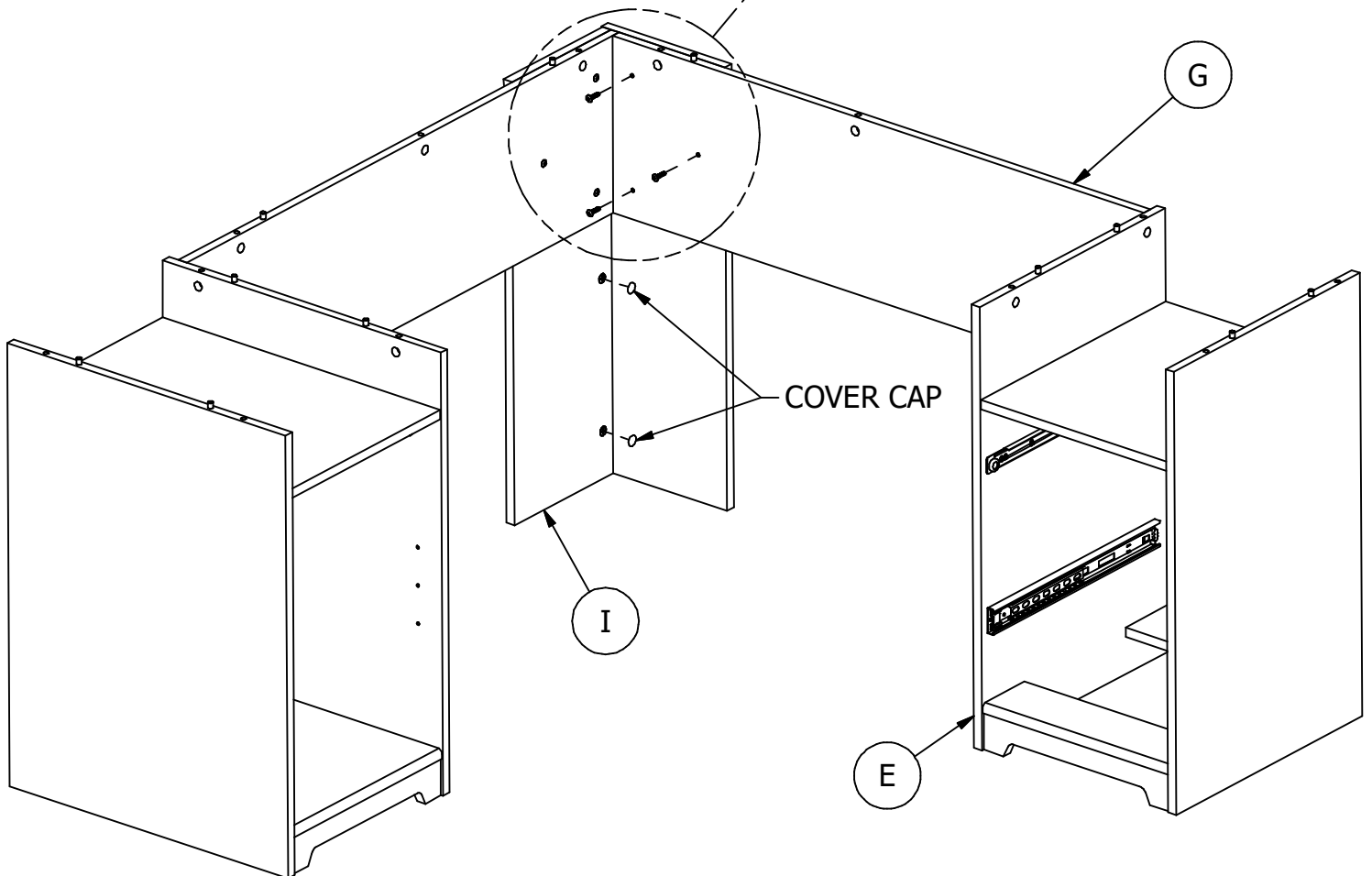
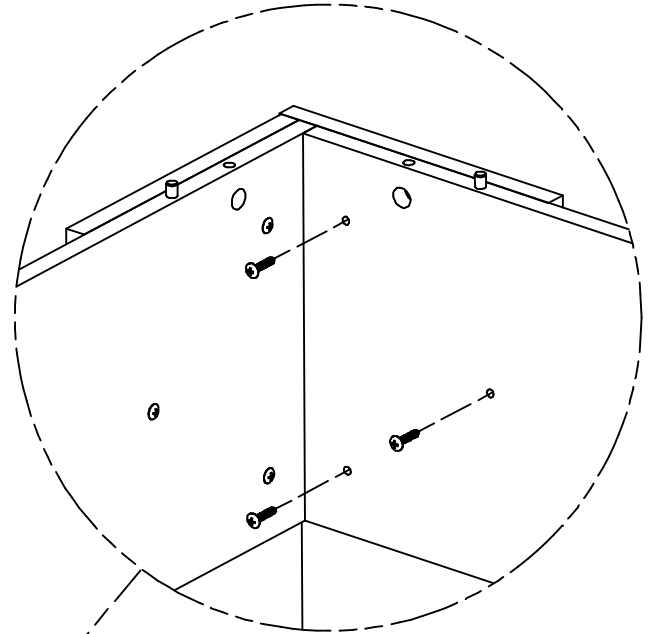
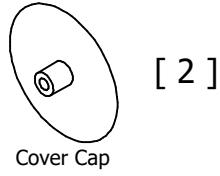
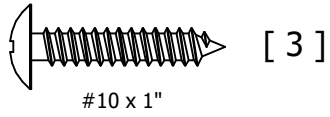
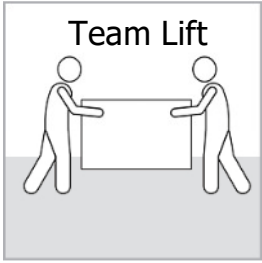


Cover Cap

[2]



Have an assembly question or need a replacement part? Just call **1-800-950-4782**, we are here to help.



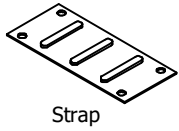
Have an assembly question or need a replacement part? Just call **1-800-950-4782**, we are here to help.

STEP 29

Prepare Panels

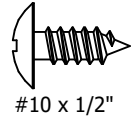
A175390G

H39922



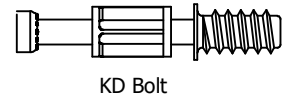
[2]

H35251

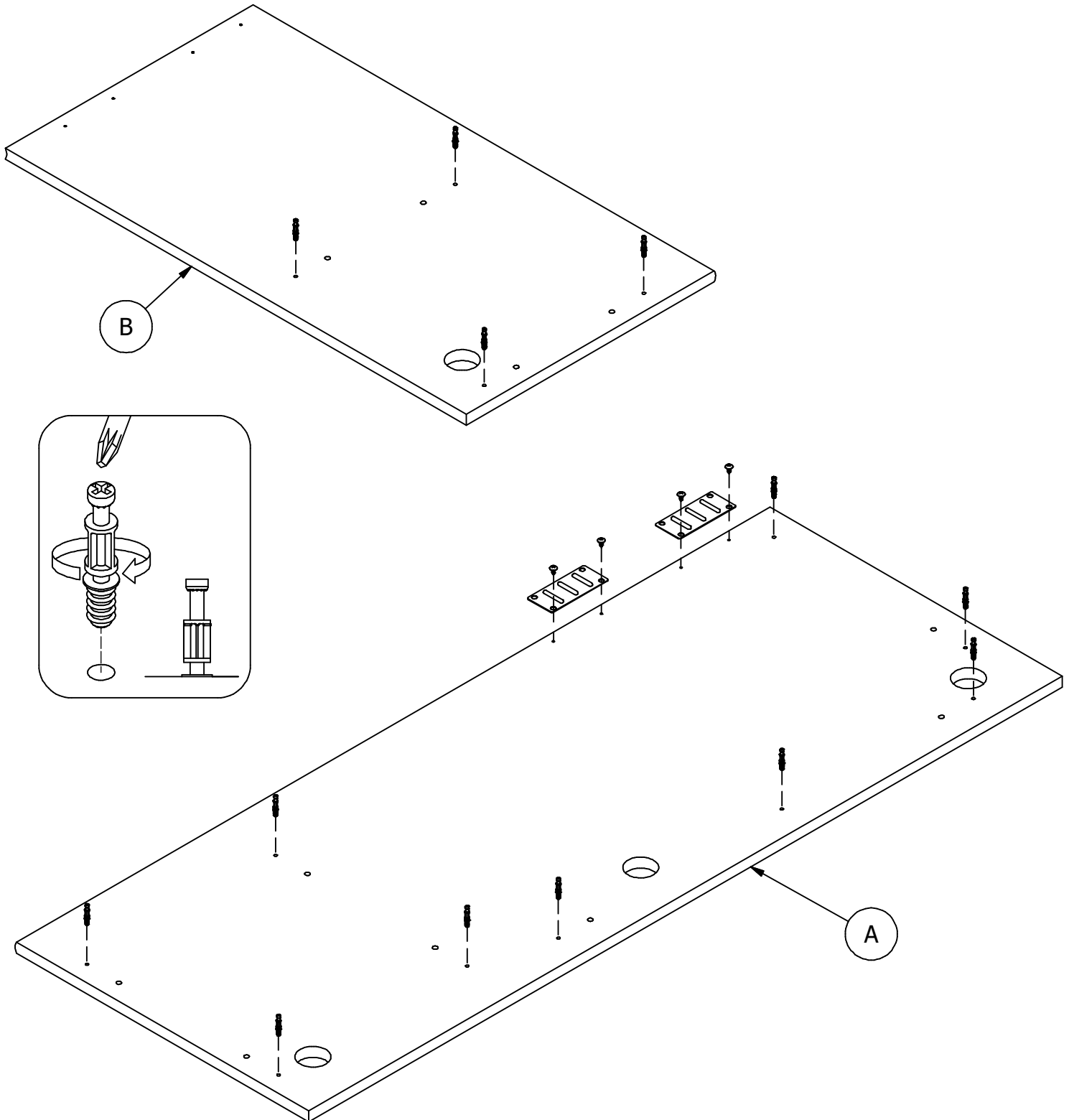


[4]

H72988



[13]



Have an assembly question or need a replacement part? Just call
1-800-950-4782, we are here to help.

STEP 30

Assemble Panels

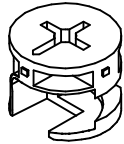
A175390G

Scan QR Code to Watch Video on:



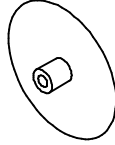
How to Tighten KD Cams

H71659



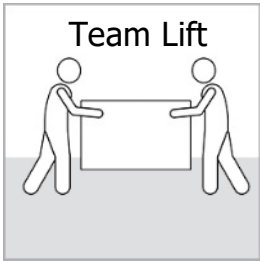
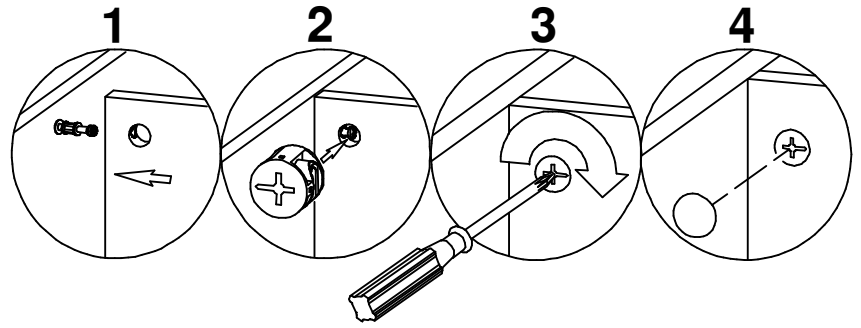
KD Cam

[9]

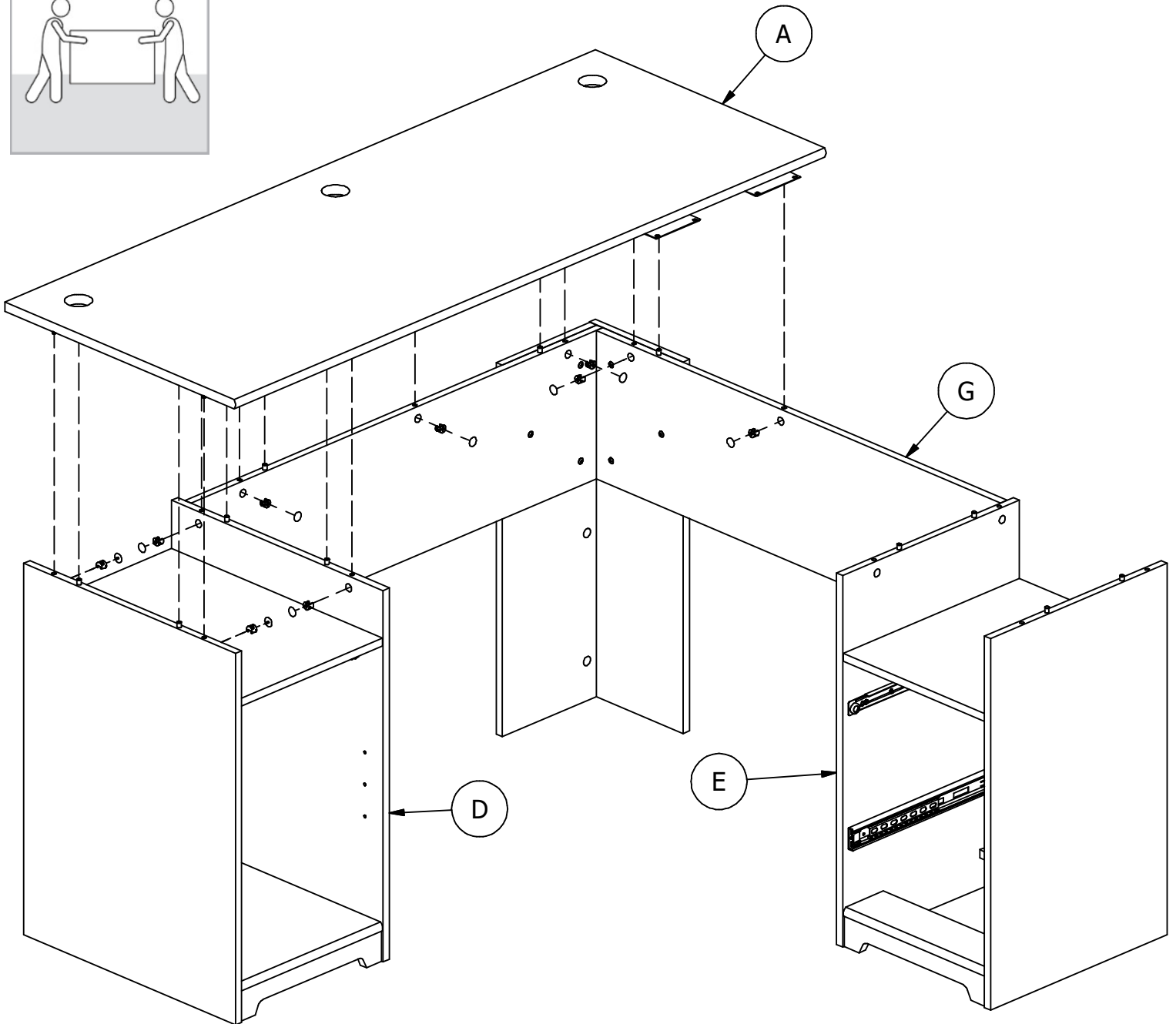


Cover Cap

[9]



Team Lift



Have an assembly question or need a replacement part? Just call **1-800-950-4782**, we are here to help.

STEP 31

Assemble Panels

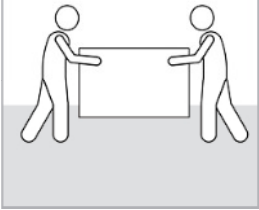
A175390G

Scan QR Code to Watch Video on:

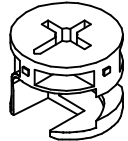


How to Tighten KD Cams

Team Lift

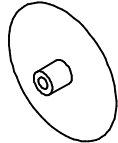


H71659



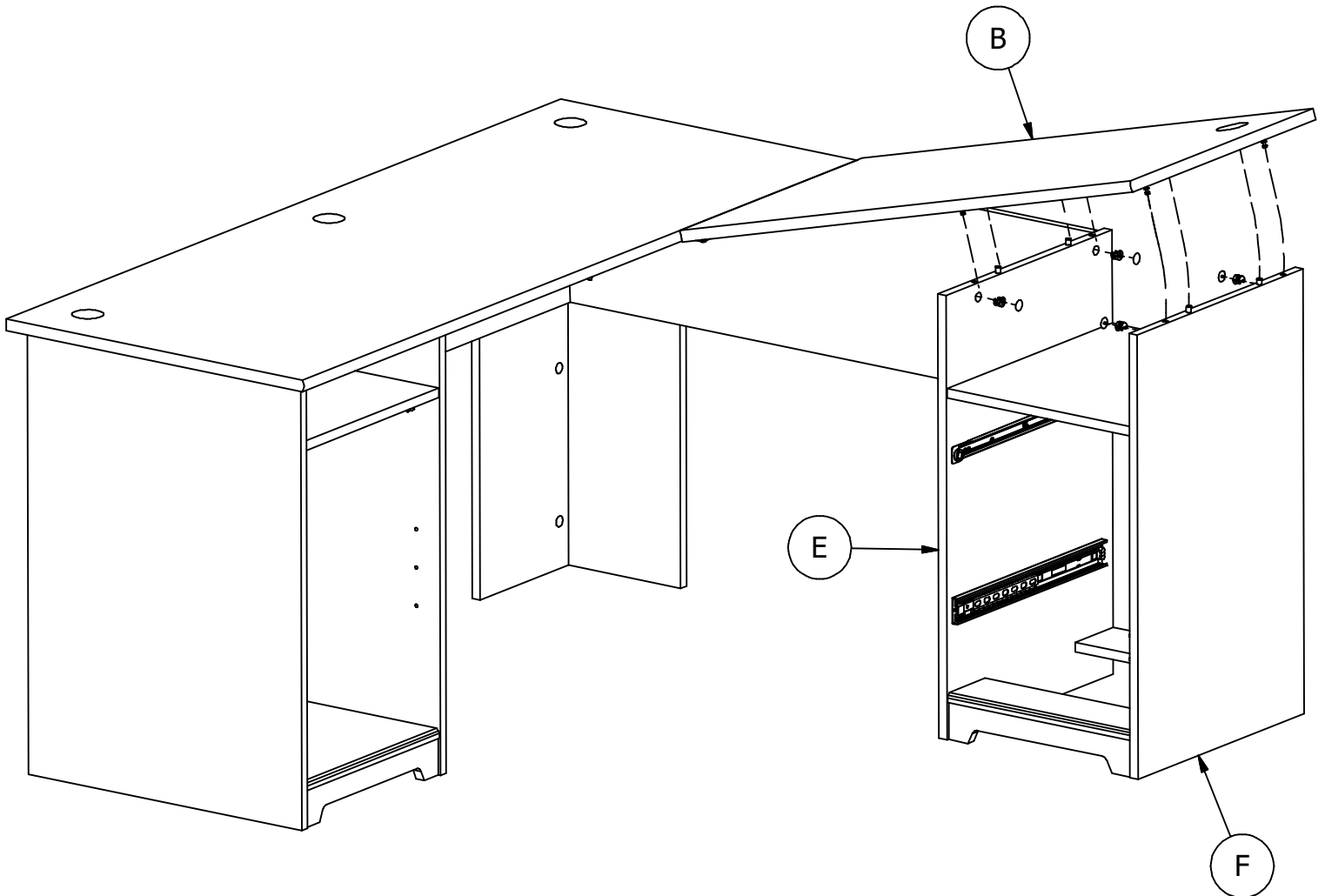
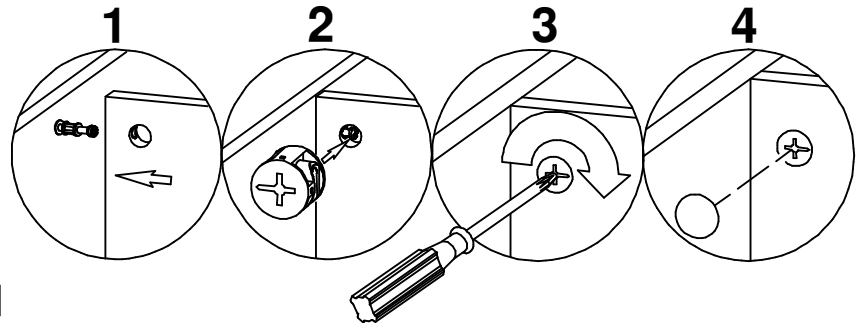
KD Cam

[4]



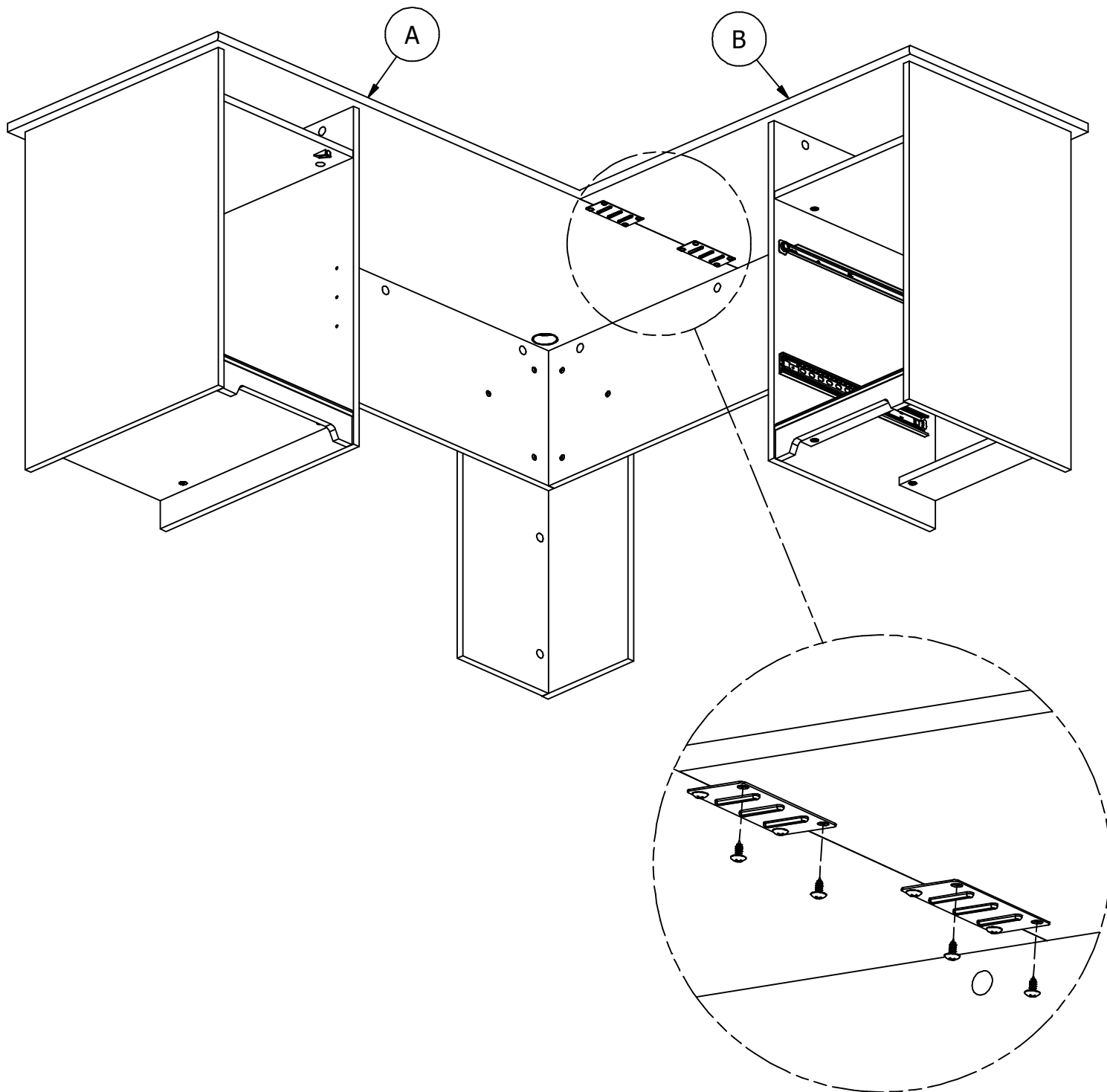
Cover Cap

[4]



Have an assembly question or need a replacement part? Just call **1-800-950-4782**, we are here to help.

H35251 [4]
#10 x 1/2"



Have an assembly question or need a replacement part? Just call
1-800-950-4782, we are here to help.

STEP 33

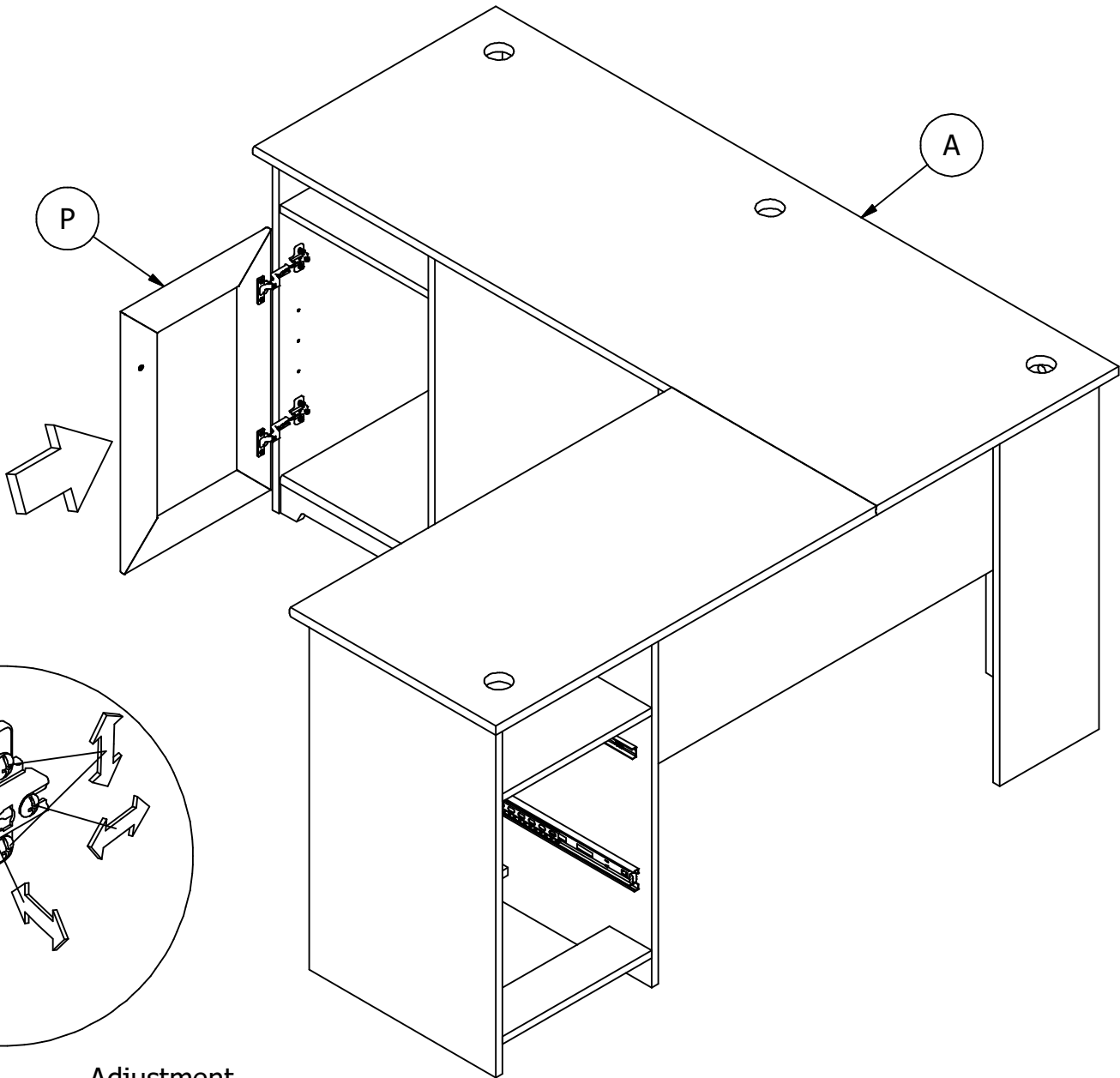
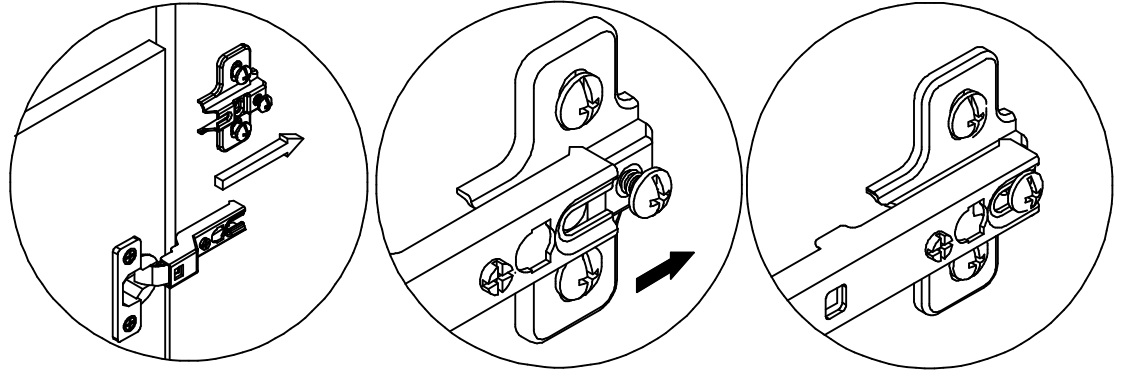
Install Door

A175390G

Scan QR Code to Watch Video on:



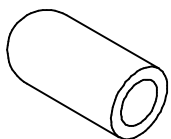
How to Adjust Door Hinges



Adjustment
Ajuste
Ajustement

Have an assembly question or need a replacement part? Just call **1-800-950-4782**, we are here to help.

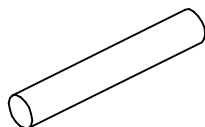
H126396



Shelf Pin Sleeve

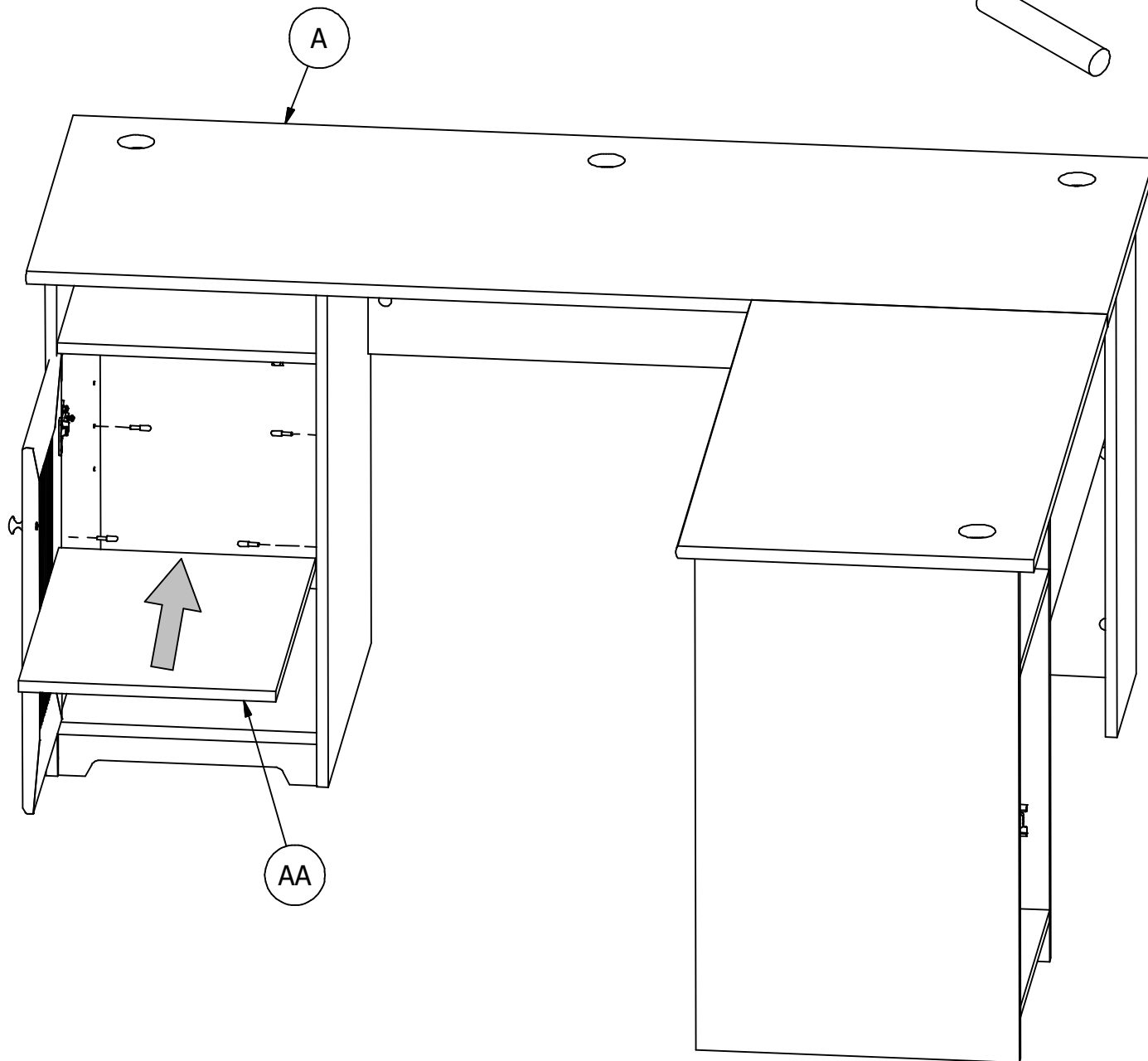
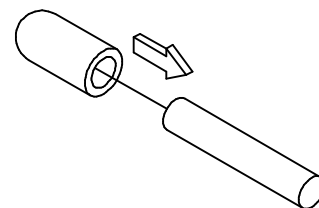
[4]

H23604



Shelf Pin

[4]

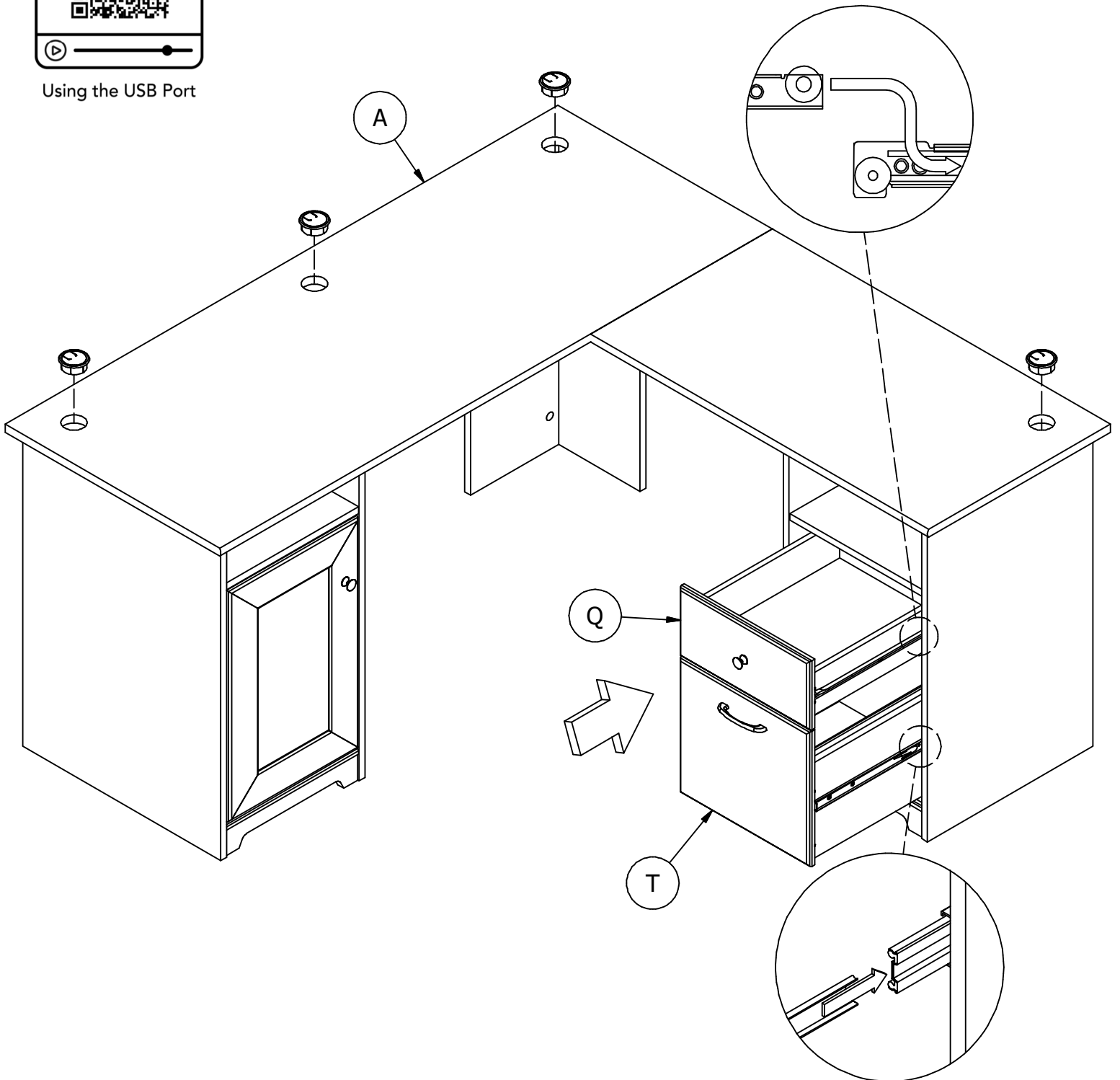
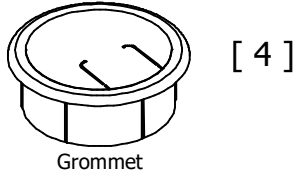


Have an assembly question or need a replacement part? Just call **1-800-950-4782**, we are here to help.

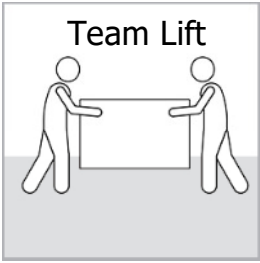
Scan QR Code to Watch Video on:



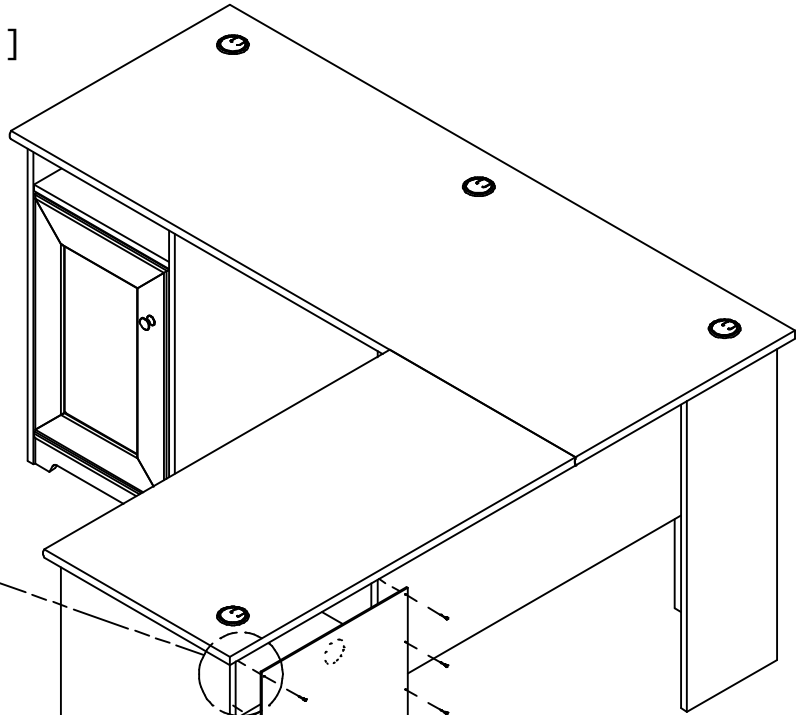
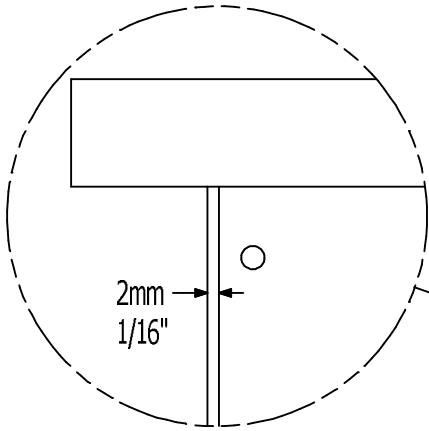
Using the USB Port

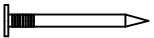


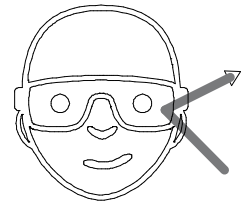
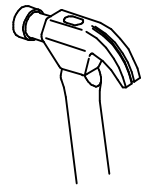
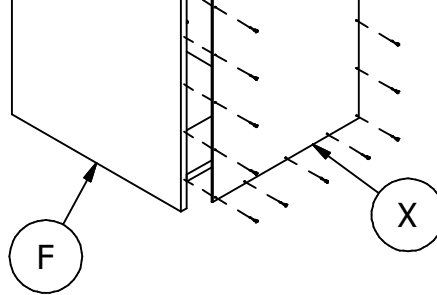
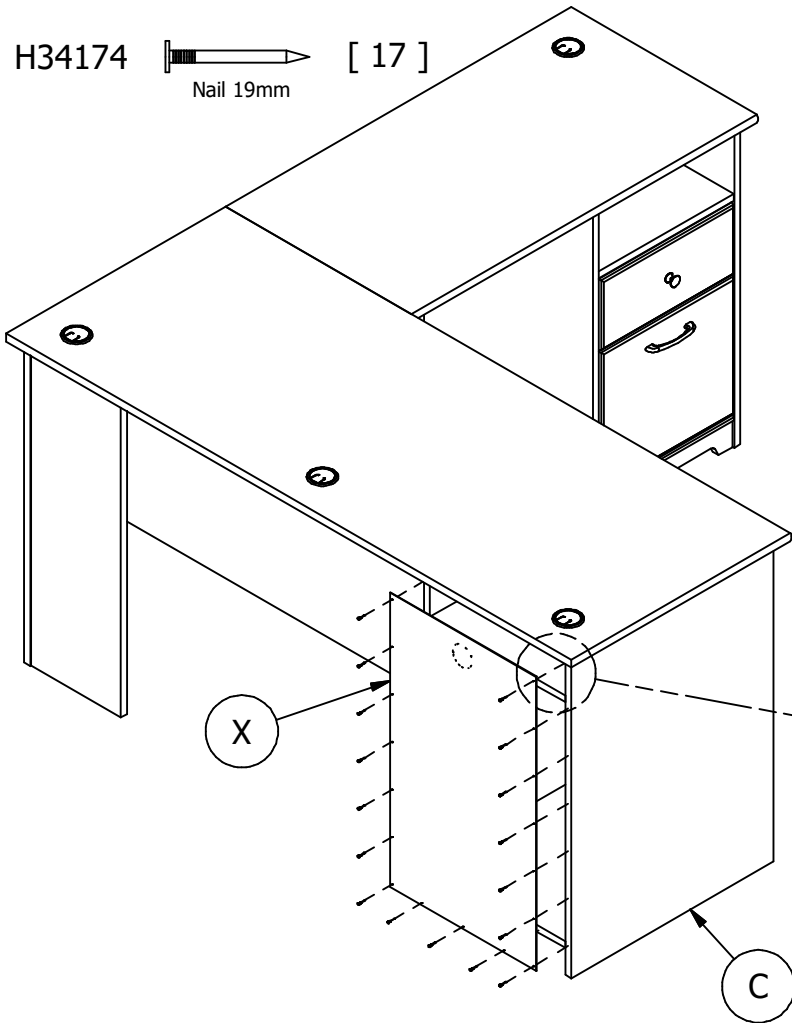
Have an assembly question or need a replacement part? Just call **1-800-950-4782**, we are here to help.



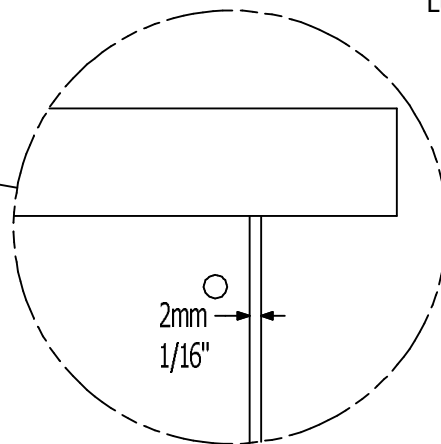
H34174  [17]
Nail 19mm



H34174  [17]
Nail 19mm



Safety glasses
Gafas de seguridad
Lunettes de protection



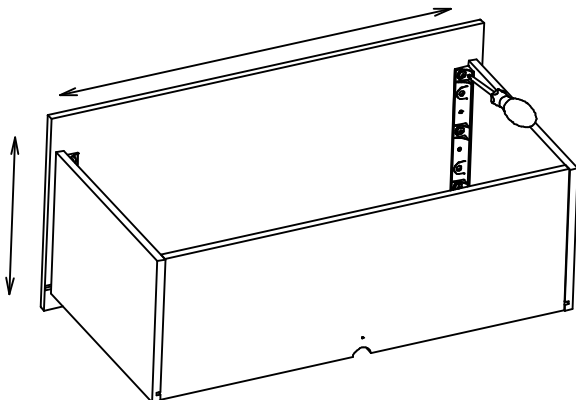
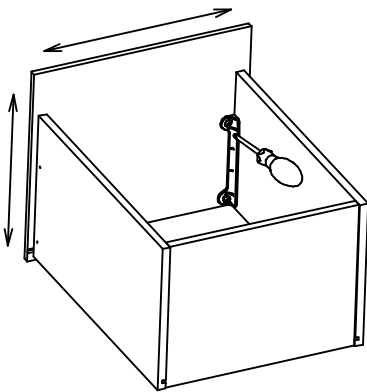
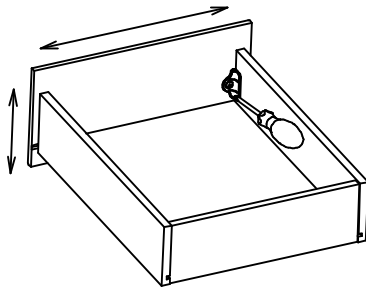
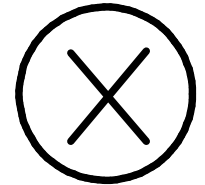
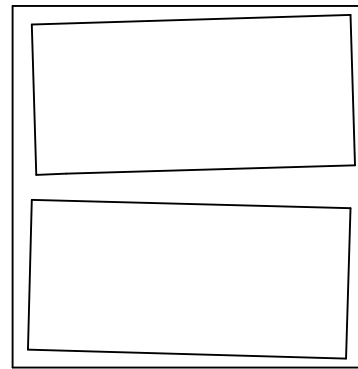
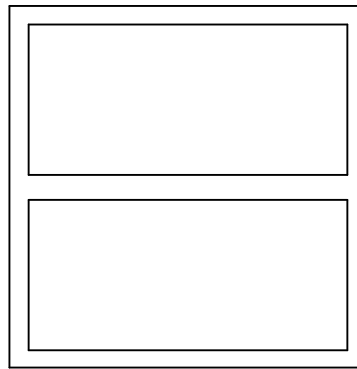
Have an assembly question or need a replacement part? Just call **1-800-950-4782**, we are here to help.

Scan QR Code to Watch Video on:



How to Adjust Drawer Fronts

DRAWER FRONT VIEW



REQUIRED TOOL: PHILLIPS SCREWDRIVER

HERRAMIENTA REQUERIDA: DESTORNILLADOR PHILLIPS
 OUTIL REQUIS: TOURNEVIS CRUCIFORME

1. LOOSEN SCREWS.
2. ADJUST DRAWER FRONTS.
3. TIGHTEN SCREWS.



1. Afloje los tornillos
2. Ajustar frentes de cajón
3. Apriete los tornillos

1. Desserrer les vis
2. Ajuster les façades des tiroirs
3. Serrer les vis

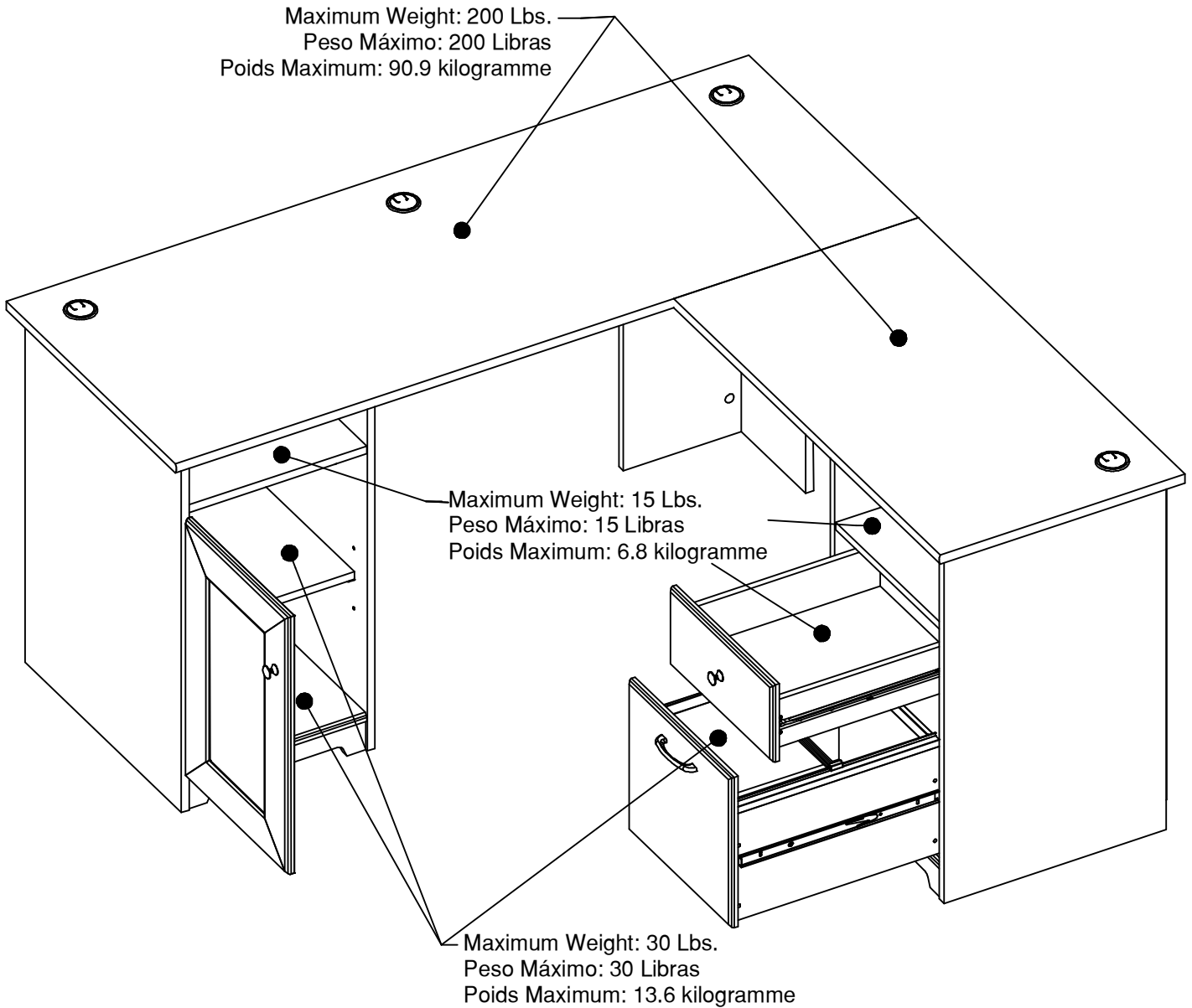
Have an assembly question or need a replacement part? Just call **1-800-950-4782**, we are here to help.

Scan QR Code to Watch Video on:



How to Clean the Surface

Gently clean surfaces with a damp sponge eraser.

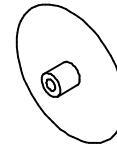


Congratulations! You are all done. If you have any questions or concerns, please call.

Have an assembly question or need a replacement part? Just call **1-800-950-4782**, we are here to help.

WC31030		
LABEL CODE	PART NUMBER	QTY
A	W213676	1
B	W213677	1
C	W213678	1
D	W213679	1
E	W213680	1
F	W213681	1
G	W213682	1
H	W213683	1
I	W213684	1
J	W213685	1
K	W213686	1
L	W213687	1
M	W213688	1
N	W184754	1
O	W213689	2
P	S213690	1
Q	W213693	1
R	W107675	2
S	W107684	1
T	W213694	1
U	W107681	2
V	W176195	1
W	W87410	2
X	W214295	2
Z	W213697	1
AA	W213812	1

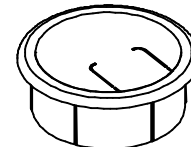
H184321



Cover Cap

[23]

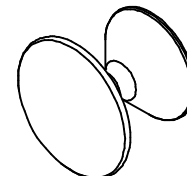
H204633US



Grommet

[4]

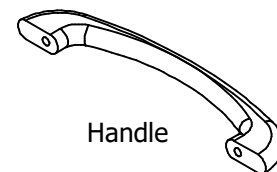
H200220US



Door Knob

[2]

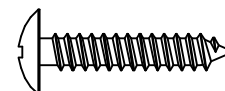
H200221US



Handle

[1]

H23682



#10 x 1"

[6]

Have an assembly question or need a replacement part? Just call
1-800-950-4782, we are here to help.

WC31130		
LABEL CODE	PART NUMBER	QTY
A	W213698	1
B	W213699	1
C	W213700	1
D	W213701	1
E	W213702	1
F	W213703	1
G	W213704	1
H	W213705	1
I	W213706	1
J	W213707	1
K	W213708	1
L	W213709	1
M	W213710	1
N	W184754	1
O	W213711	2
P	S213712	1
Q	W213715	1
R	W107675	2
S	W107684	1
T	W213716	1
U	W107681	2
V	W176195	1
W	W87410	2
X	W214296	2
Z	W213719	1
AA	W213813	1

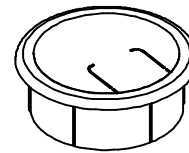
H200203US



Cover Cap

[23]

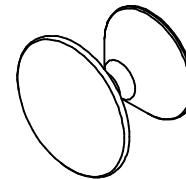
H202823US



Grommet

[4]

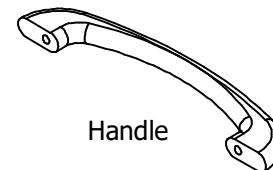
H188981US



Door Knob

[2]

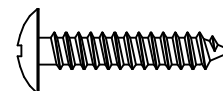
H192372US



Handle

[1]

H83647



#10 x 1"

[6]

Have an assembly question or need a replacement part? Just call
1-800-950-4782, we are here to help.

WC31230		
LABEL CODE	PART NUMBER	QTY
A	W213720	1
B	W214256	1
C	W213722	1
D	W213723	1
E	W196898	1
F	W196899	1
G	W196913	1
H	W196914	1
I	W196906	1
J	W196907	1
K	W196900	1
L	W196901	1
M	W196915	1
N	W184754	1
O	W196902	2
P	S196903	1
Q	W196908	1
R	W107675	2
S	W107684	1
T	W196909	1
U	W107681	2
V	W176195	1
W	W87410	2
X	W214297	2
Z	W196916	1
AA	W213041	1

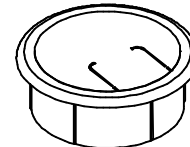
H83021



Cover Cap

[23]

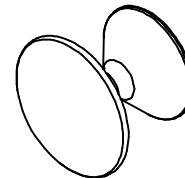
H151406



Grommet

[4]

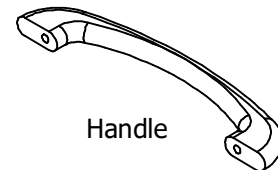
H188981US



Door Knob

[2]

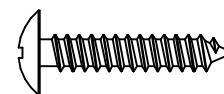
H192372US



Handle

[1]

H83647



#10 x 1"

[6]

Have an assembly question or need a replacement part? Just call
1-800-950-4782, we are here to help.

WC31330		
LABEL CODE	PART NUMBER	QTY
A	W213742	1
B	W213743	1
C	W213744	1
D	W213745	1
E	W213746	1
F	W213747	1
G	W213748	1
H	W213749	1
I	W213750	1
J	W213751	1
K	W213752	1
L	W213753	1
M	W213754	1
N	W184754	1
O	W210386	2
P	S213756	1
Q	W213759	1
R	W107675	2
S	W107684	1
T	W213760	1
U	W107681	2
V	W176195	1
W	W87410	2
X	W214298	2
Z	W213814	1
AA	W213951	1

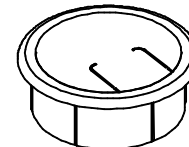
H83021



Cover Cap

[23]

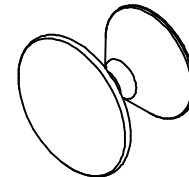
H195790



Grommet

[4]

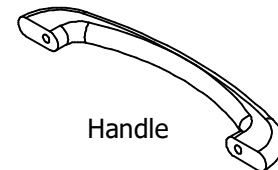
H160869US



Door Knob

[2]

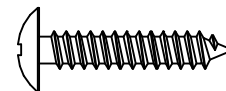
H160870US



Handle

[1]

H83647

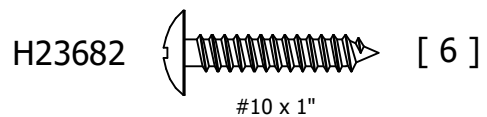
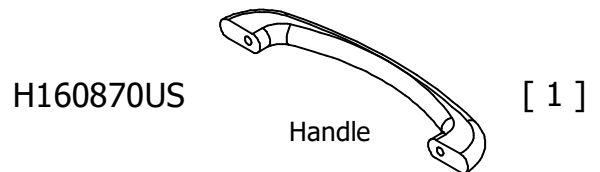
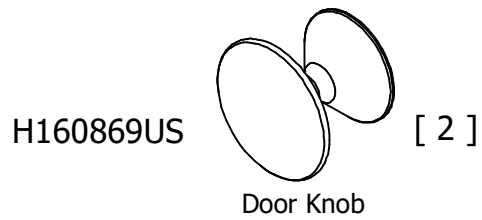
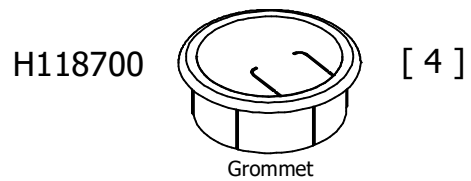


#10 x 1"

[6]

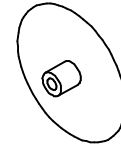
Have an assembly question or need a replacement part? Just call
1-800-950-4782, we are here to help.

WC31430		
LABEL CODE	PART NUMBER	QTY
A	W213110	1
B	W213116	1
C	W213111	1
D	W213112	1
E	W213113	1
F	W213114	1
G	W213115	1
H	W213117	1
I	W213118	1
J	W213119	1
K	W213120	1
L	W213121	1
M	W213122	1
N	W184754	1
O	W213067	2
P	S213123	1
Q	W213091	1
R	W107675	2
S	W107684	1
T	W213090	1
U	W107681	2
V	W176195	1
W	W87410	2
X	W214299	2
Z	W213088	1
AA	W213042	1



WC31530		
LABEL CODE	PART NUMBERS	QTY
A	W213764	1
B	W213765	1
C	W213766	1
D	W213767	1
E	W213768	1
F	W213769	1
G	W213770	1
H	W213771	1
I	W213772	1
J	W213773	1
K	W213774	1
L	W213775	1
M	W213776	1
N	W184754	1
O	W213777	2
P	S213778	1
Q	W213781	1
R	W107675	2
S	W107684	1
T	W213782	1
U	W107681	2
V	W176195	1
W	W87410	2
X	W214300	2
Z	W213785	1
AA	W213815	1

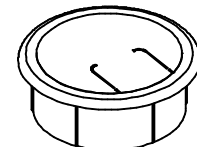
H77823



[23]

Cover Cap

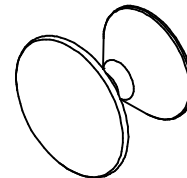
H204452



[4]

Grommet

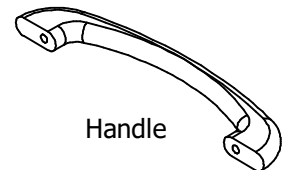
H200220US



[2]

Door Knob

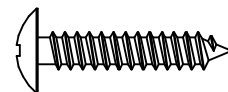
H200221US



[1]

Handle

H23682



[6]

#10 x 1"

Have an assembly question or need a replacement part? Just call
1-800-950-4782, we are here to help.

WC31730		
LABEL CODE	PART NUMBER	QTY
A	W213786	1
B	W214257	1
C	W213788	1
D	W213789	1
E	W184737	1
F	W184738	1
G	W184751	1
H	W184752	1
I	W184739	1
J	W184740	1
K	W184741	1
L	W184742	1
M	W184753	1
N	W184754	1
O	W193715	2
P	S184755	1
Q	W184744	1
R	W107675	2
S	W107684	1
T	W184746	1
U	W107681	2
V	W176195	1
W	W87410	2
X	W214301	2
Z	W184757	1
AA	W213043	1

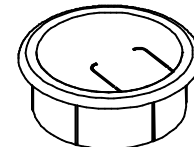
H92521



Cover Cap

[23]

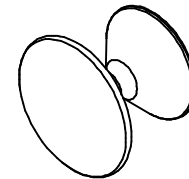
H107716



Grommet

[4]

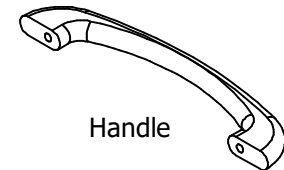
H160869US



Door Knob

[2]

H160870US



Handle

[1]

H23682



#10 x 1"

[6]

Have an assembly question or need a replacement part? Just call
1-800-950-4782, we are here to help.

WC31830		
LABEL CODE	PART NUMBER	QTY
A	W210171	1
B	W210172	1
C	W210173	1
D	W210174	1
E	W210175	1
F	W210176	1
G	W210177	1
H	W210178	1
I	W210179	1
J	W210180	1
K	W210181	1
L	W210182	1
M	W210183	1
N	W184754	1
O	W210184	2
P	S210185	1
Q	W210188	1
R	W107675	2
S	W107684	1
T	W210189	1
U	W107681	2
V	W176195	1
W	W87410	2
X	W214302	2
Z	W210192	1
AA	W213044	1

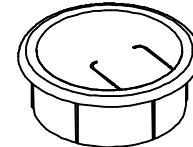
H73621



Cover Cap

[23]

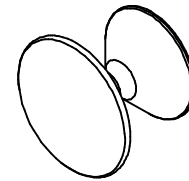
H118700



Grommet

[4]

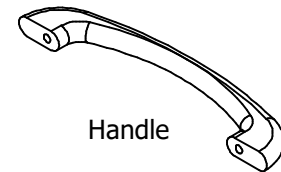
H160869US



Door Knob

[2]

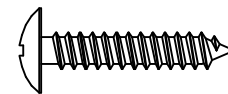
H160870US



Handle

[1]

H23682



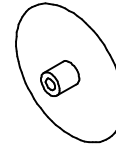
#10 x 1"

[6]

Have an assembly question or need a replacement part? Just call
1-800-950-4782, we are here to help.

WC31930		
LABEL CODE	PART NUMBER	QTY
A	W213808	1
B	W214528	1
C	W213810	1
D	W213811	1
E	W192145	1
F	W192146	1
G	W192158	1
H	W192159	1
I	W192150	1
J	W192151	1
K	W192147	1
L	W192148	1
M	W192160	1
N	W184754	1
O	W193717	2
P	S192328	1
Q	W192152	1
R	W107675	2
S	W107684	1
T	W192153	1
U	W107681	2
V	W176195	1
W	W87410	2
X	W214303	2
Z	W192161	1
AA	W213045	1

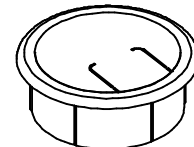
H73619



[23]

Cover Cap

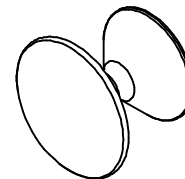
H195624



[4]

Grommet

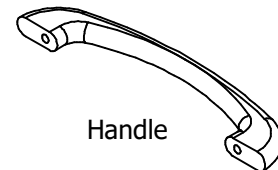
H188981US



[2]

Door Knob

H192372US



[1]

Handle

H83647



[6]

#10 x 1"

Have an assembly question or need a replacement part? Just call
1-800-950-4782, we are here to help.