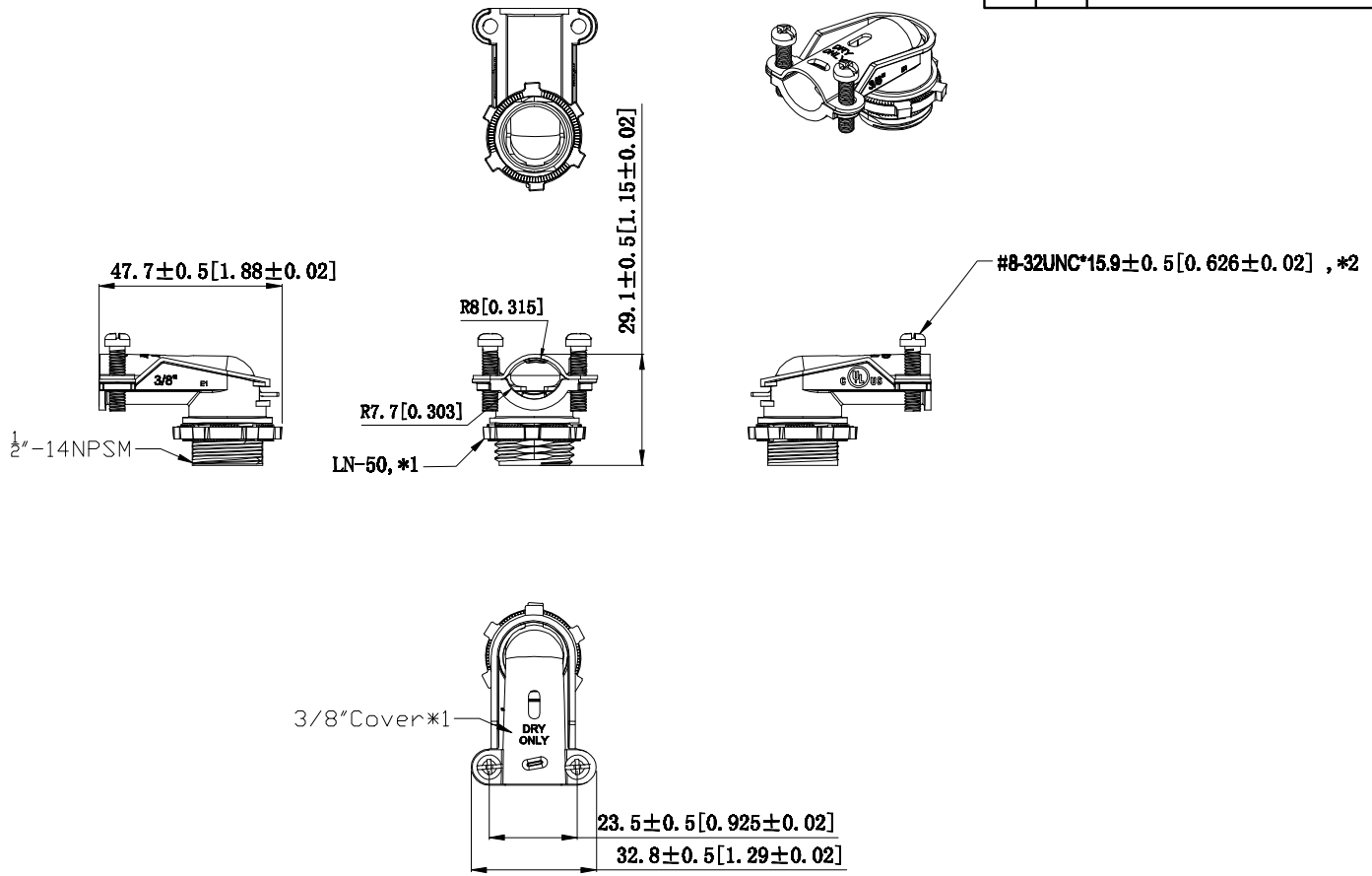


NO	P/N	Tooling	Working process Description
1	SQZ-3890		

REVISIONS			
SYM.	BY.	REVISIONS	DATE
A.			



**NOTES:**  
 1.All dimensions in millimeters and [inches];  
 2.Free of sharp edge and burrs.max burr0.5[0.0196].  
 3.Material: #3 ZAMAK

REVISIONS	DATE	NAME
DESIGN	2014.01.05	
CHECKED		
APPROVED (P)		
APPROVED (Customer)		

**GARVIN INDUSTRIES**

TITLE  
**ELECTRICAL TRADE WASHERS**

SIZE <b>A4</b>	DWG NO. <b>SQZ-3890</b>	REV
SCALE: 1:1	PRINT DATE	QUANTITY <b>1 OF 1</b>



THIS DRAWING IS THE PROPERTY OF GARVIN INDUSTRIES AND IS NOT TO BE REPRODUCED OR TRANSMITTED IN ANY FORM OR BY ANY MEANS, ELECTRONIC OR MECHANICAL, INCLUDING PHOTOCOPYING, RECORDING, OR BY ANY INFORMATION STORAGE AND RETRIEVAL SYSTEM. ALL RIGHTS RESERVED. GARVIN INDUSTRIES IS NOT RESPONSIBLE FOR ANY DAMAGE TO PERSONS OR PROPERTY CAUSED BY THE USE OF THIS DRAWING. GARVIN INDUSTRIES IS NOT RESPONSIBLE FOR ANY DAMAGE TO PERSONS OR PROPERTY CAUSED BY THE USE OF THIS DRAWING.