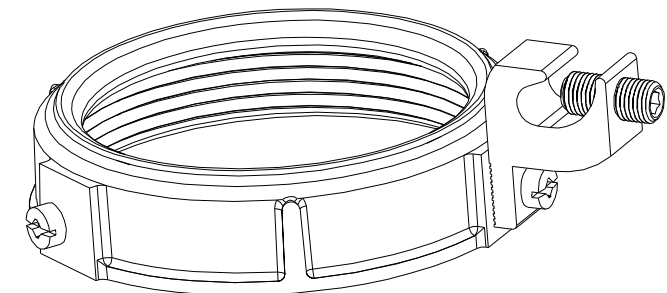
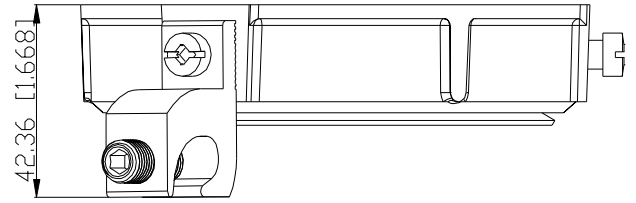
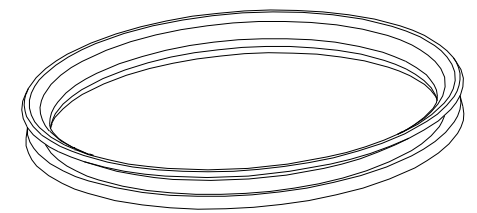
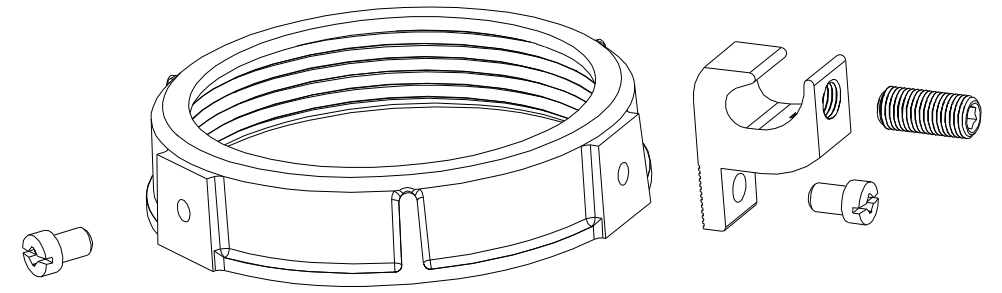
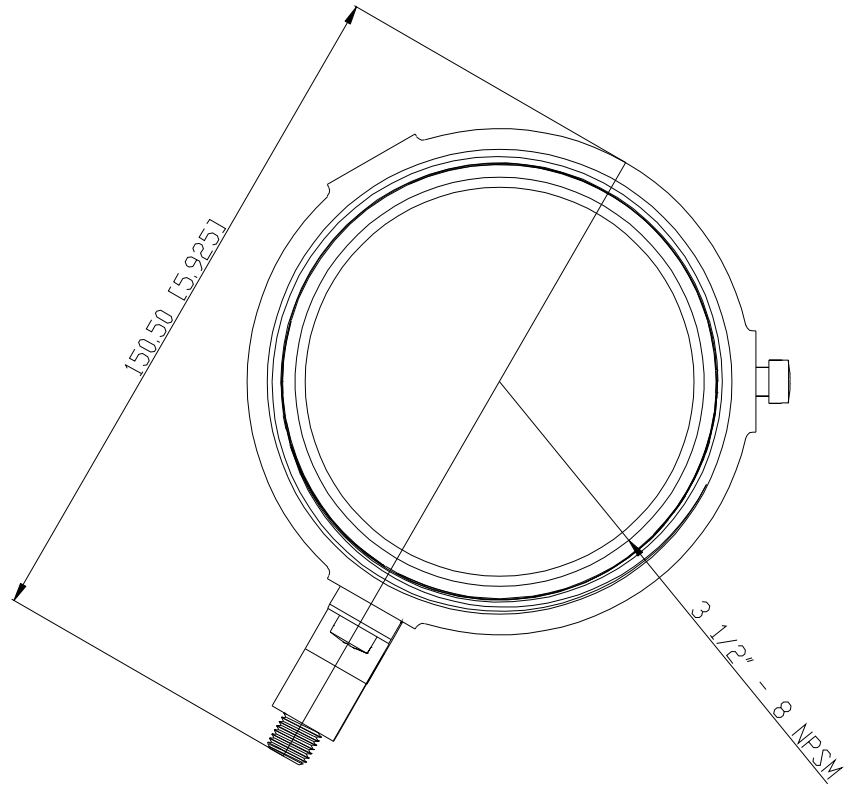


| | |
|--------------------------|---------------|
| SIDES | BOTTOM |
| | |
| | |
| Material: Malleable Iron | |



| |
|------------------------------|
| DESCRIPTION |
| |
| TRADE REFERENCE TERMS |
| |

| |
|-------------------------|
| STANDARD PACKING |
| 5 PCS |

| | | |
|----------------------------|------------------------------|-----------------|
| GARVIN INDUSTRIES | | |
| 3 1/2" Univ Ground Bushing | | |
| SIZE A4 | DWG NO. DS-UGB-350 | REV A |