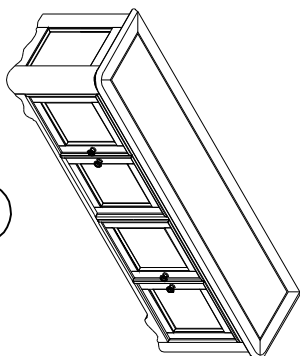
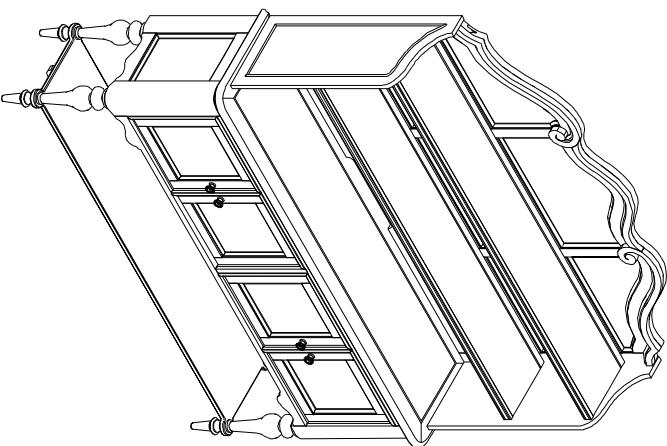


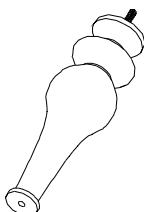
PARTS LIST / LISTE DES PIÈCES / LISTA DE PIEZAS
ITEM NO./ARTICLE NO./ARTICULO NO.: P293302/P293303

DESCRIPTION/ LA DESCRIPTION/ DESCRIPCIÓN: Sideboard/ Buffet/ Aparador
Sideboard/ Hutch/ Huche de buffet/ Repisa de aparador

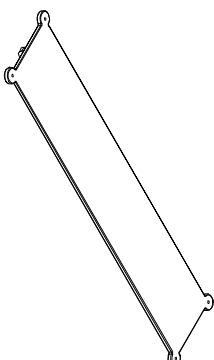
⚠ WARNING
 
<p>Children have died from furniture tipover. To reduce the risk of furniture tipover :</p> <ul style="list-style-type: none"> • ALWAYS install tipover restraint provided. • NEVER put a TV on this product. • NEVER allow children to stand, climb or hang on drawers, doors, or shelves. • NEVER open more than one drawer at a time. • Place heaviest items in the lowest drawers. <p>This is a permanent label. Do not remove!</p>



- A**
- x1 Sideboard
 - x1 Buffet
 - x1 Aparador



- B**
- x4 Leg *
 - x4 jambe
 - x4 Pierna



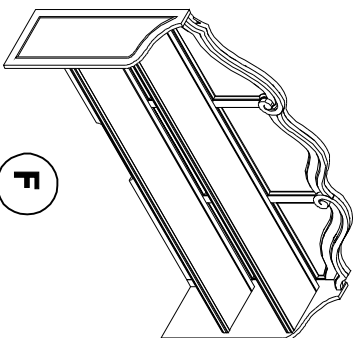
- C**
- x1 Shelf *
 - x1 étagère
 - x1 repisa



- D**
- x2 Foot (Front) *
 - x2 Pied (Avant)
 - x2 Pie (Delantera)



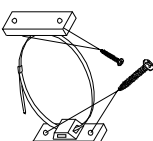
- E**
- x2 Foot (Back) *
 - x2 Pied (Arrière)
 - x2 Pie (Trasera)



- F**
- x1 Hutch
 - x1 Huche
 - x1 Repisa



- G**
- x6 #8x5/8" Screw *
 - x6 #8x5/8" Vis
 - x6 #8x5/8" Tornillo



- H**
- x1 Tiping restraint *
 - x1 Liste des pièces de quincaillerie antibasculement
 - x1 Abrazadera antivuelco

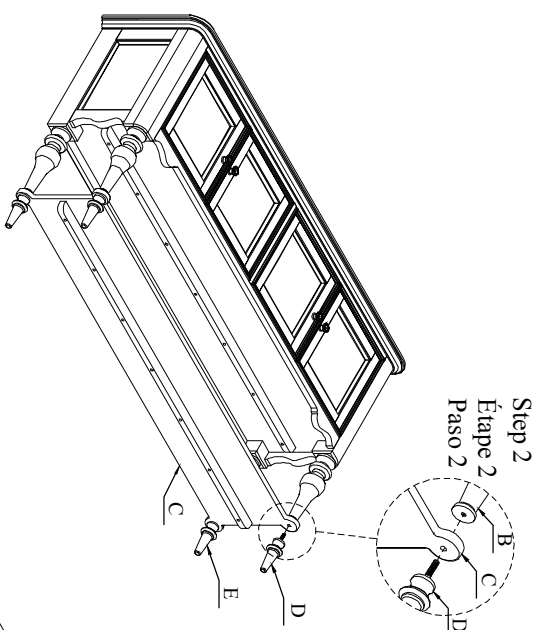
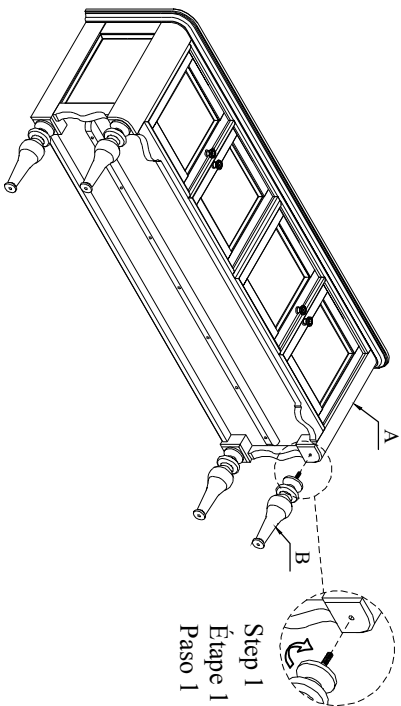
*Replaceable Part

ASSEMBLY INSTRUCTIONS/ NOTICE DE MONTAGE/ INSTRUCCIONES DE MONTAJE
ITEM NO./ARTICLE NO./ARTICULO NO: P293302/P293303

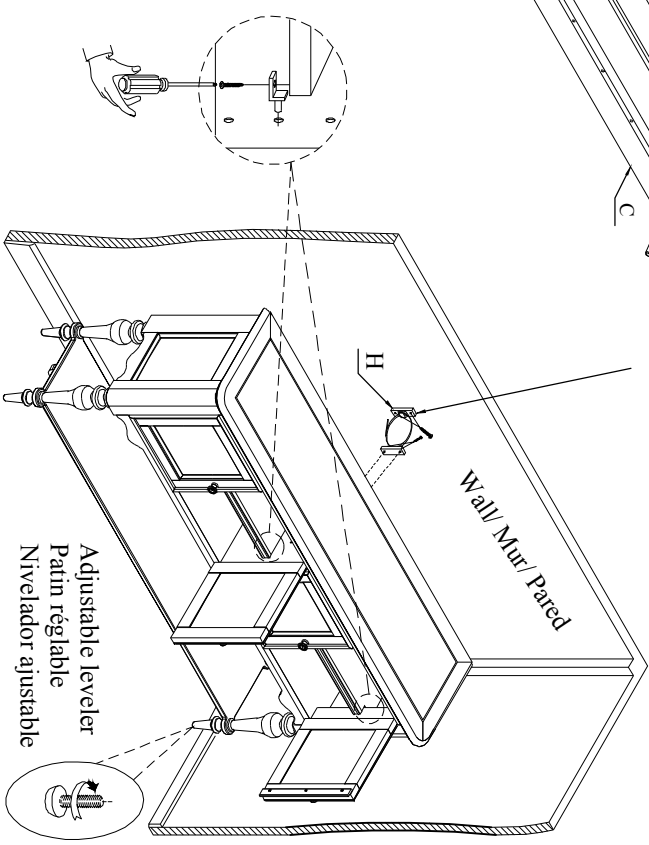
DESCRIPTION/ LA DESCRIPTION/ DESCRIPCIÓN: Sideboard/ Buffet/ Aparador

Sideboard Hutch/ Huche de buffet/ Repisa de aparador

⚠ WARNING
 <p>Children have died from furniture tipover. To reduce the risk of furniture tipover:</p> <ul style="list-style-type: none"> • ALWAYS install tipover restraint provided. • NEVER put a TV on this product. • NEVER allow children to stand, climb or hang on drawers, doors, or shelves. • NEVER open more than one drawer at a time. • Place heaviest items in the lowest drawers. <p><i>This is a permanent label. Do not remove!</i></p>



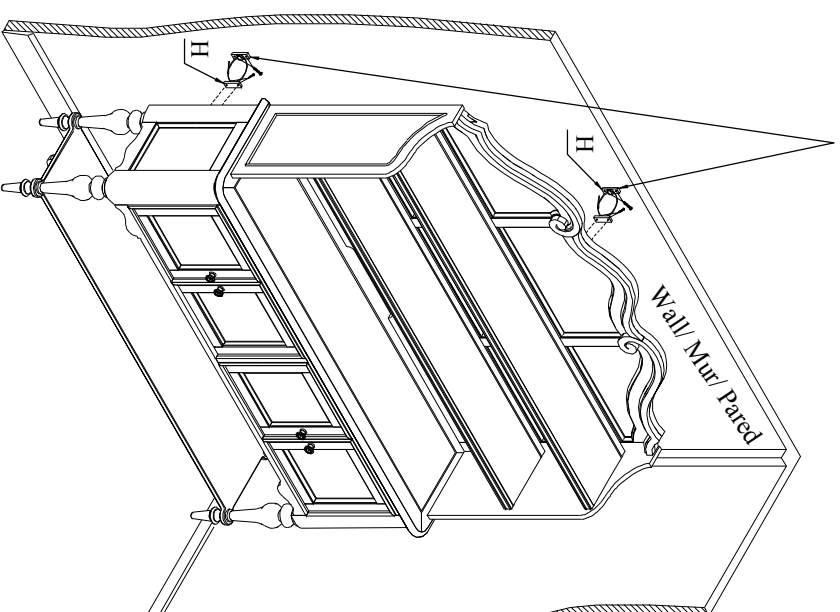
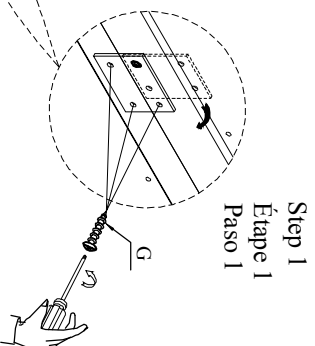
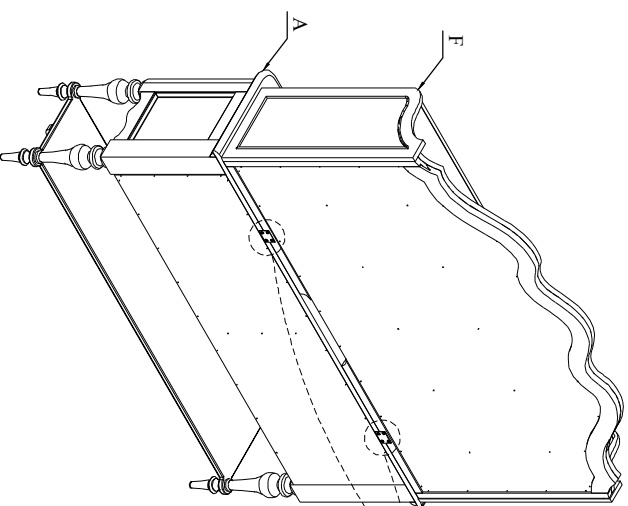
**Tipping restraint/
Liste des pièces de quincaillerie antibasculement/
Abrazadera anti-vuelco**



*Replaceable Part

ASSEMBLY INSTRUCTIONS/ NOTICE DE MONTAGE/ INSTRUCCIONES DE MONTAJE
ITEM NO./ARTICLE NO./ARTICULO NO: P293302/P293303
DESCRIPTION/ LA DESCRIPTION/ DESCRIPCIÓN: Sideboard/ Buffet/ Aparador
Sideboard Hutch/ Huche de buffet/ Repisa de aparador

⚠ WARNING
<p>Children have died from furniture tipover. To reduce the risk of furniture tipover :</p> <ul style="list-style-type: none"> • ALWAYS install tipover restraint provided. • NEVER put a TV on this product. • NEVER allow children to stand, climb or hang on drawers, doors, or shelves. • NEVER open more than one drawer at a time. • Place heaviest items in the lowest drawers. <p><i>This is a permanent label. Do not remove!</i></p>
 



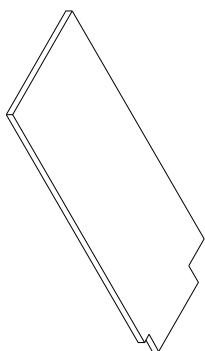
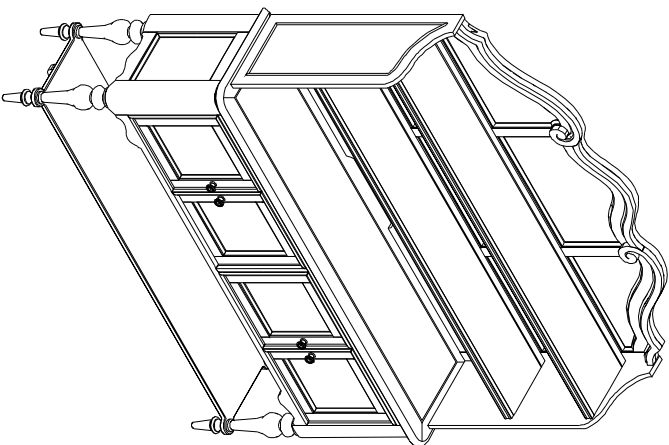
**Tipping restraint/
 Liste des pièces de quincaillerie antibasculement/
 Abrazadera anti vuelco**

*Replaceable Part



REPLACEABLE PART / PARTIE REMPLAÇABLE / PARTE REMPLAZABLE
ITEM NO./ARTICLE NO./ARTICULO NO: P293302/P293303
DESCRIPTION/ LA DESCRIPTION/ DESCRIPCIÓN: Sideboard/ Buffet/ Aparador
Sideboard Hutch/ Huche de buffet/ Repisa de aparador

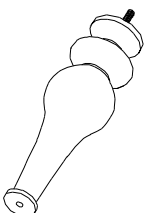
⚠ WARNING	<p>Children have died from furniture tipover. To reduce the risk of furniture tipover :</p> <ul style="list-style-type: none"> • ALWAYS install tipover restraint provided. • NEVER put a TV on this product. • NEVER allow children to stand, climb or hang on drawers, doors, or shelves. • NEVER open more than one drawer at a time. • Place heaviest items in the lowest drawers.
	<p><i>This is a permanent label. Do not remove!</i></p>



RP293302-SHELF1 *
 x2 Adjustable Shelf
 x2 Tablette ajustable
 x2 Estante ajustable



RP293302-SUPP *
 x8 Shelf Support
 x8 Supports Pour Tablette
 x8 Soporite De Las Repisas



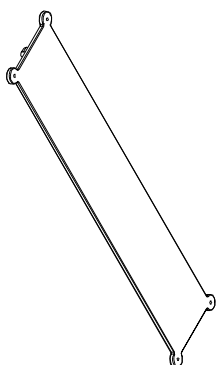
RP293302 LEG *
 x4 Leg
 x4 Jambe
 x4 Perna



RP293302 FOOTF *
 x2 Foot (Front)
 x2 Pied (Avant)
 x2 Pie (Delantera)



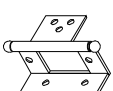
RP293302 FOOTB *
 x2 Foot (Back)
 x2 Pied (Arrière)
 x2 Pie (Trasera)



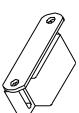
RP293302-SHELF *
 x1 Shelf
 x1 étagère
 x1 repisa



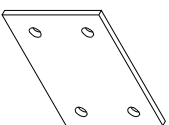
RP293-KNOBS *
 x4 Small Knob with Screw
 x4 Poignée
 x4 Tirador



PR293302 HINGE *
 x8 Door Hinge
 x8 Charnière
 x8 Bisagra



RP293302 CATCH *
 x4 Door Catch
 x4 Catch de aimant
 x4 Captura de imán



RP293303-PLATE *
 x2 Mending Plate
 x2 Plaque de fixation
 x2 Placas de union



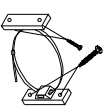
RC-FG-WHITE *
 x2 Common Adjustable Leveler
 x2 Patin réglable
 x2 Nivelador ajustable



RC-WH-NAIL *
 x2 Plastic Nail
 x2 Clou
 x2 Clavo



RP293303-SCREW *
 x6 FB Screw
 x6 Vis
 x6 Tornillo



RC-ANTI-TIP *
 x2 Anti-tipping Restraint
 x2 Liste des pièces de quincaillerie antihasculement
 x2 Lista del kit de materiales antivuelco

*Replaceable Part