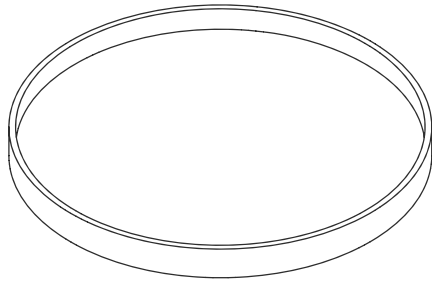


ASSEMBLY INSTRUCTIONS

AVERY ROUND COFFEE TABLE



1 PC WOOD TOP

Allen Screws 8+1 Extra



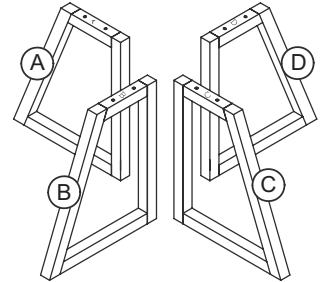
Lock Washers 8+1 Extra



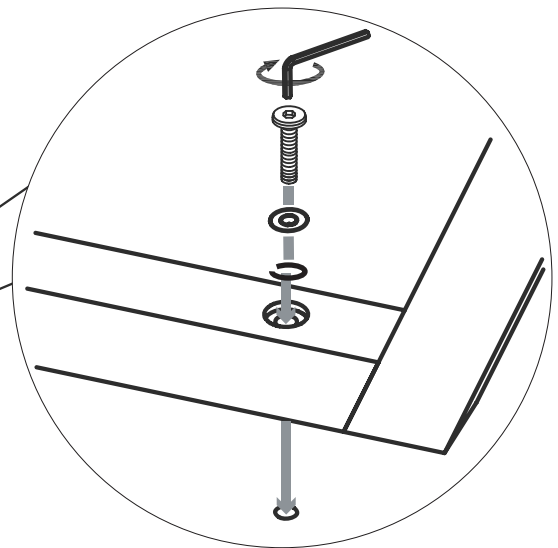
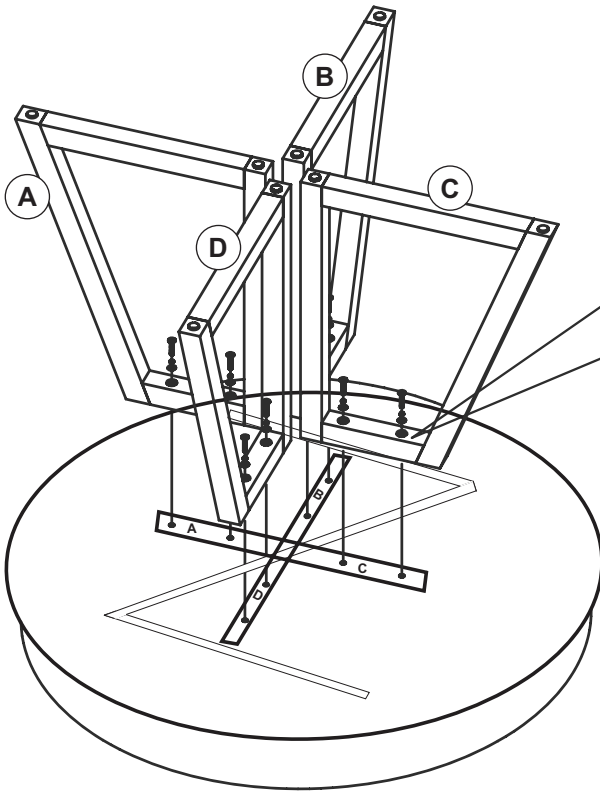
Washers 8+1 Extra



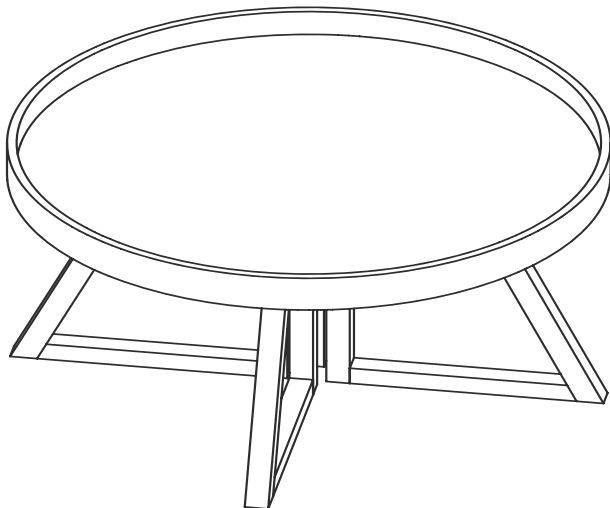
Allen Key



4 PCS WOOD LEGS



Place top facedown on a protective surface. Align legs (A,B,C,D) as indicated and secure the legs with the help of Allen Screws and Washers.



READY TO USE

Flip the table and adjust the levellers if needed to balance on floor.