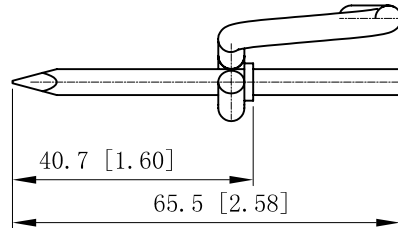
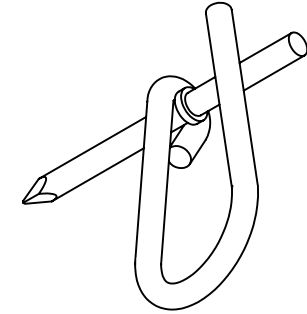
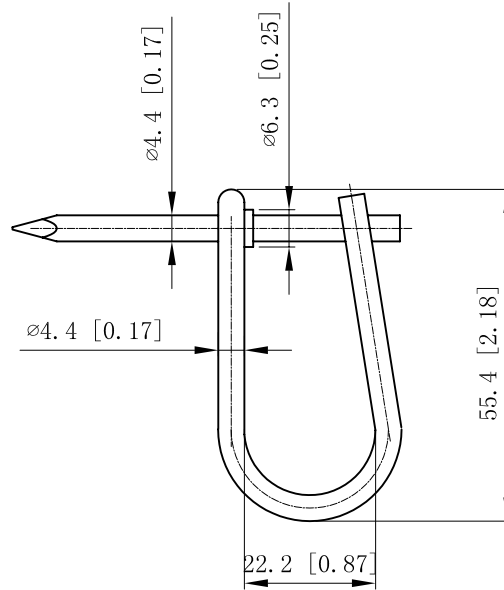
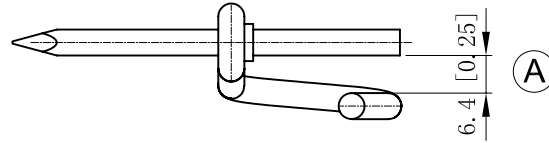
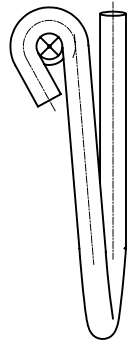


SIDES	BOTTOM
U Clip-Material:Steel- $\phi$ 0.13-(C1008-C1018), Mechanical galvanize	
Nail-Material:Steel- $\phi$ 0.18-(C1008-C1022), Mechanical galvanize	



This data sheet is for reference only .GARVIN INDUSTRIES reserves the right to make changes to the design without prior notice.

DESCRIPTION
TRADE REFERENCE TERMS

STANDARD PACKING
25 PCS

<b>GARVIN INDUSTRIES</b>	
TITLE DRIVE RINGS	
SIZE A4	DWG NO. DRV-7/8
DATA SHEET	
REV D	