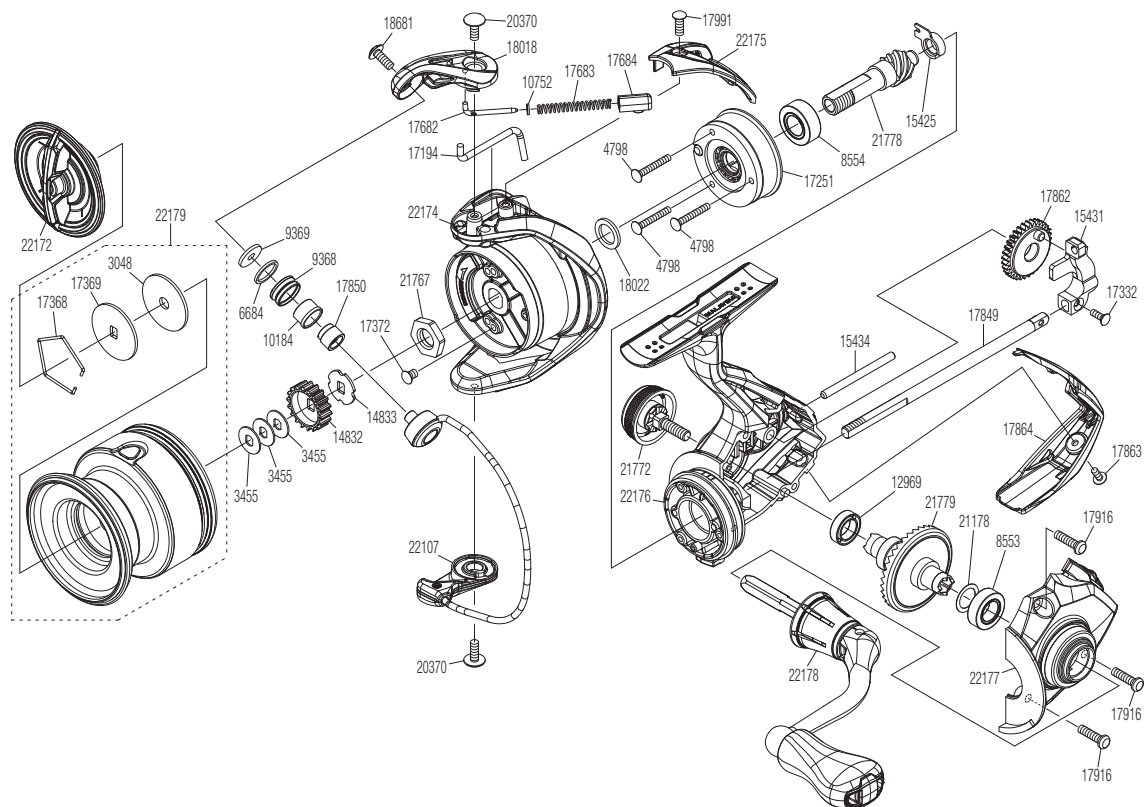


# SHIMANO

## CATANA

## CAT-2500HG



Please note that the number of adjusting washers may not always be the same as shown in the exploded views.

(51SH653E28X)

Please note that your actions take full responsibility when you take it apart.

#	Part No.	Description	#	Part No.	Description	#	Part No.	Description
3048	1031C	Drag Washer	17369	10N23	Key Washer	21779	10S1T	Drive Gear
3455	10BXN	Spool Washer	17372	10LCE	Screw	22107	100T2	Bail Assembly
4798	103C6	Screw	17682	1061L	Bail Spring Guide A	22172	101KT	Drag Knob Assembly
6684	10KFD	Spacer	17683	105R6	Bail Spring	22174	101VA	Rotor
8553	107AT	Ball Bearing	17684	107AB	Bail Spring Guide B	22175	1026W	Bail Spring Cover
8554	107FE	Ball Bearing	17849	10DMK	Main Shaft	22176	1026Z	Body
9368	10JLF	Line Roller	17850	1020X	Collar	22177	1026X	Side Cover
9369	10PPF	Washer	17862	10DMJ	Oscillating Gear	22178	1026Y	Handle Assembly
10184	10PFH	Bushing	17863	10LCS	Screw	22179	1026V	Spool Assembly
10752	10TYE	Bail Spring Guide A Collar	17864	10DM5	Rear Protector			
12969	107FA	Ball Bearing	17916	10L6K	Screw			
14832	103MU	Spool Support A	17991	10LFL	Screw			
14833	10J04	Spool Support B	18018	101ZD	Bail Arm			
15425	1074K	Bushing	18022	10JVH	Washer			
15431	10G7D	Oscillating Slider	18681	10PMH	Screw			
15434	1035A	Oscillating Guide	20370	103DA	Screw			
17194	106P2	Bail Trip Lever	21178	10EEZ	Washer			
17251	10QPN	Roller Clutch Assembly	21767	10RXE	Rotor Nut			
17332	10R1P	Screw	21772	101EZ	Handle Screw Cap Assembly			
17368	10MZM	Retainer	21778	10S1N	Pinion Gear			