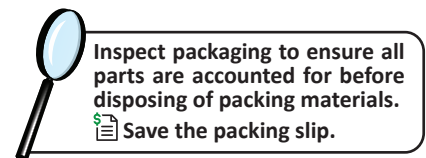
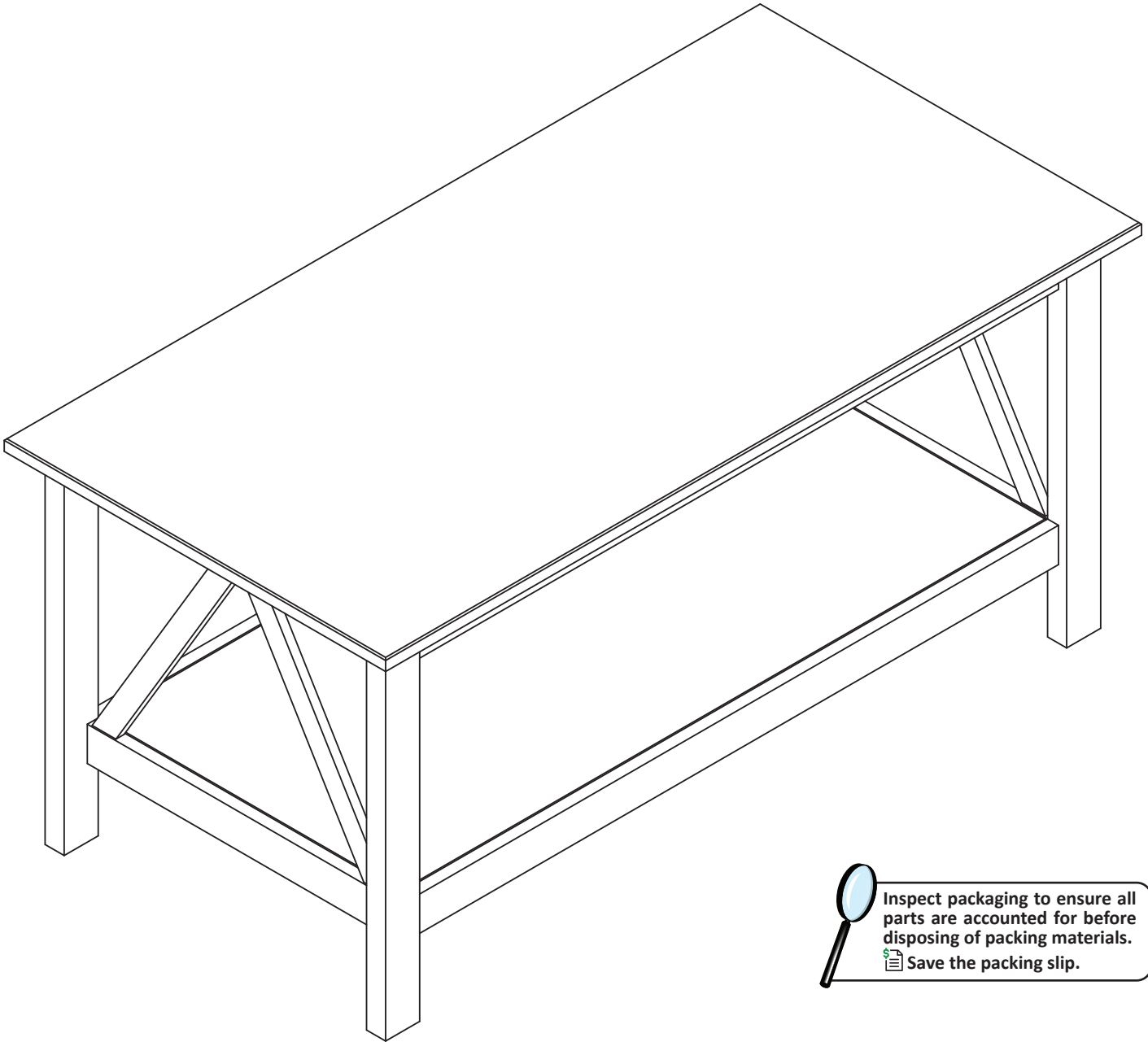


# COFFEE TABLE WITH SHELF

## AGR-790

Review all assembly and care information before using this product. Save this manual for future reference.  
**Assemble components on a soft, clean surface to avoid damaging the finish.**



### WARNING:

Manufacturer and seller expressly disclaim any and all liability from personal injury, property damage or loss, whether direct or indirect, or incidental, resulting from the incorrect attachment, improper use, inadequate maintenance, or neglect of this product.

# INTRODUCTION

**Read the manual carefully to ensure you fully understand all use, care, assembly, and safety information.**



Read this manual carefully and follow the assembly instructions in the order listed. Pay close attention to assembly diagrams.



Regularly clean with a clean microfiber cloth to prevent dust accumulation.



Do not paint the unit.  
Do not use abrasive materials or cleaners to clean the furniture.



Indoor use only.  
Do not expose the furniture to heat or humidity.



When cleaning nearby the furniture, do not allow contact with water or cleaners as it may deteriorate the furniture.



Do not allow metal components to come in contact with water or cleaners as it may cause rust and staining.



Assemble on a soft, flat, clean, and dry surface.



Use a soft, protective barrier when assembling the furniture.

**TIP:** Use the box carton as a protective layer to separate and protect the parts from scratches and other damage during assembly.



Do not push or drag furniture as doing so may damage the unit.

Only move furniture when it is empty.

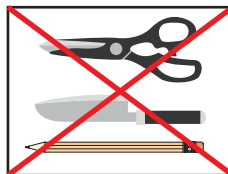


Always ask for help when moving furniture.



**Avoid Accidents** - Do not climb, sit or stand on the furniture.

Do not allow children to play on or inside the furniture.



Keep sharp objects away as they may scratch or damage the unit.

Do not use the furniture as a writing surface without a padded barrier.

## WARNING:

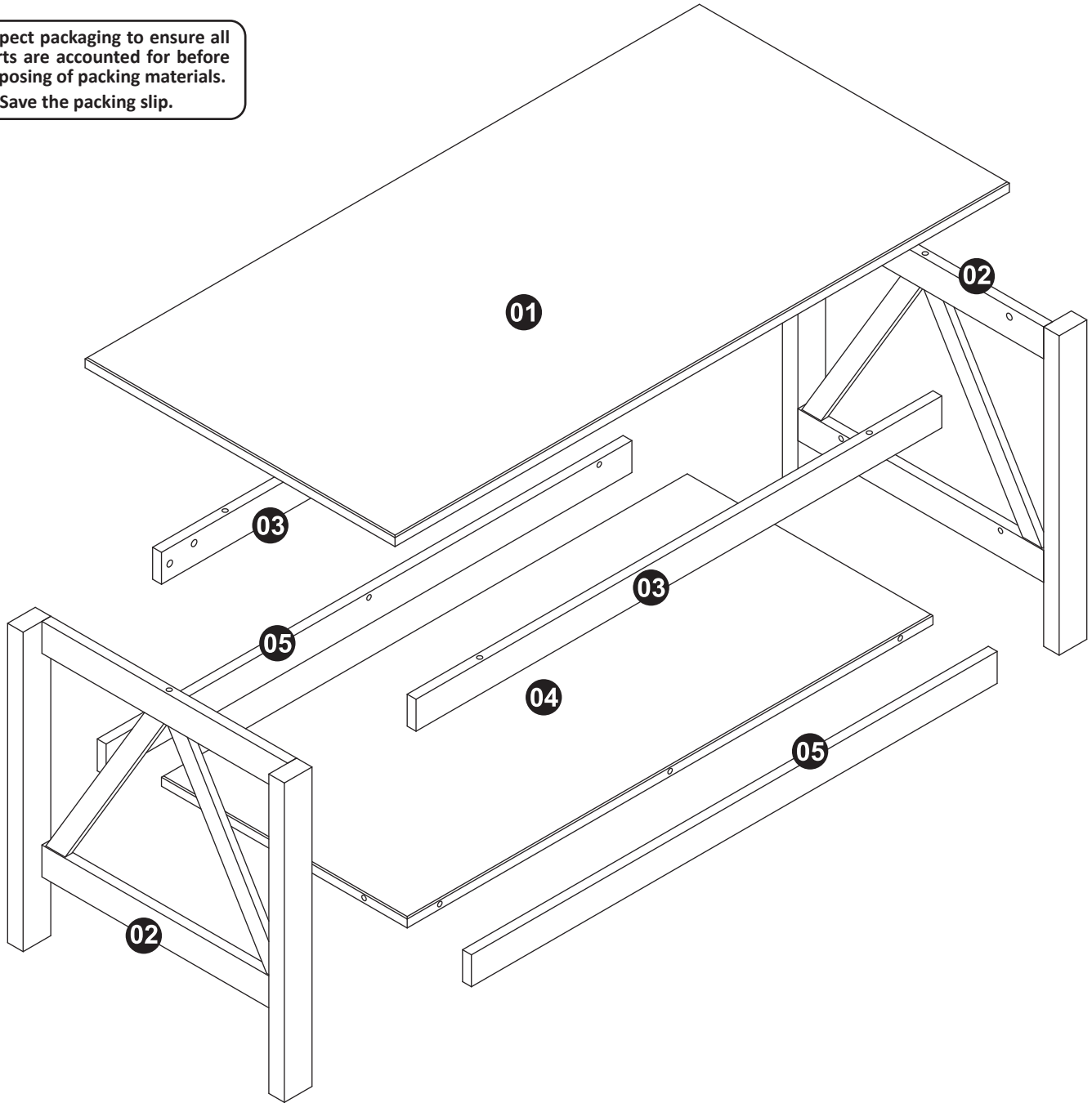
Manufacturer and seller expressly disclaim any and all liability from personal injury, property damage or loss, whether direct or indirect, or incidental, resulting from the incorrect attachment, improper use, inadequate maintenance, or neglect of this product.

# COMPONENTS



Inspect packaging to ensure all parts are accounted for before disposing of packing materials.

Save the packing slip.



SEQ.	PART NAME	QTY.
01	Top	1
02	Side Panel	2
03	Top Apron	2
04	Shelf	1
05	Shelf Apron	2

No.	HARDWARE	QTY.
A	Wood Dowel	16
B	M4.5x28mm Pan Screw	14
C	Connector	24
D	M4.5x25mm Pan Screw	10

TOOLS REQUIRED (not included)	
	Phillips Screwdriver
	Rubber Mallet

## WARNING

**CHOKING HAZARD** — This item contains small parts that can be swallowed. Keep children and pets away during assembly.

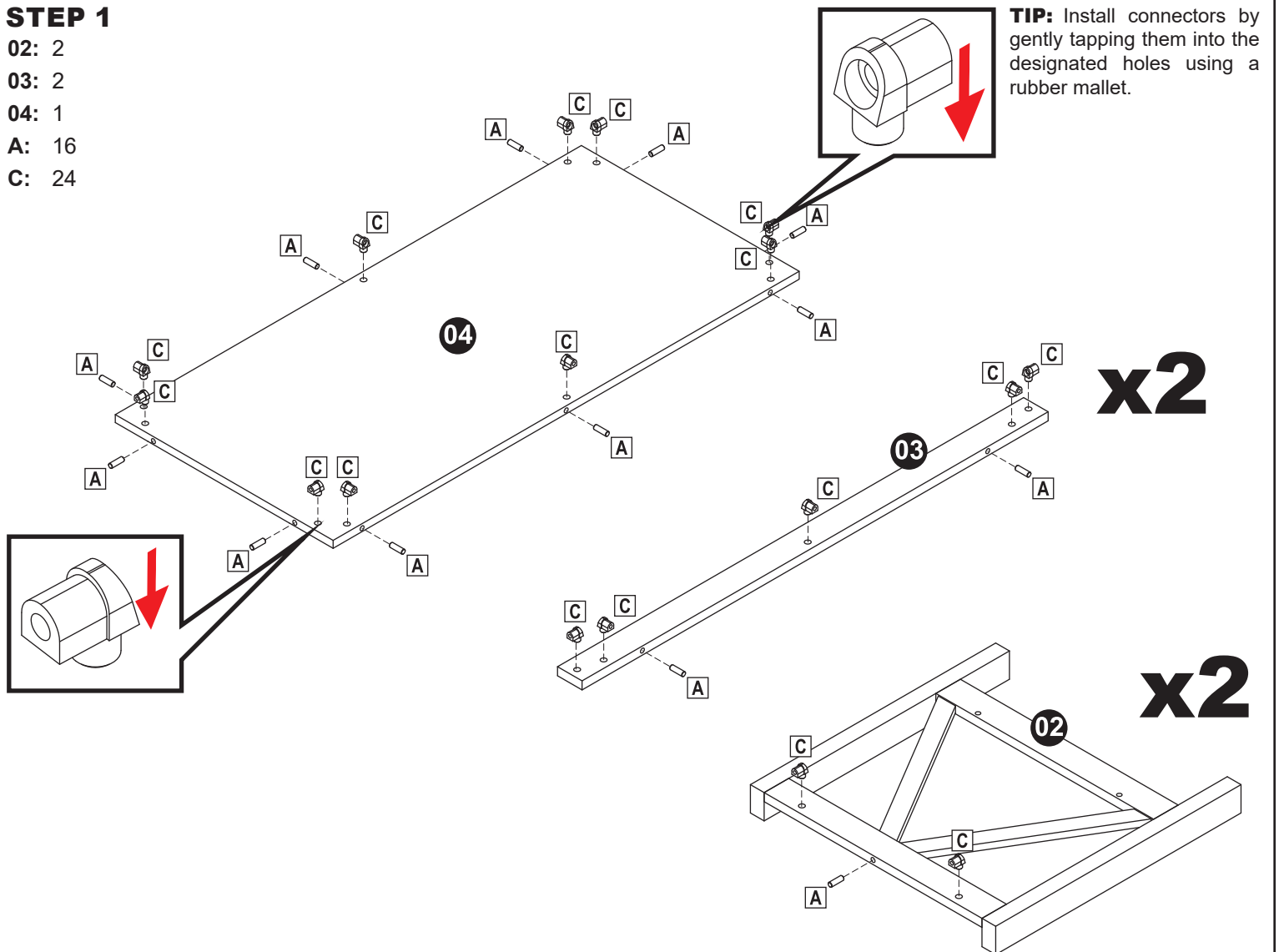
# ASSEMBLY

Carefully review all steps and fully understand assembly before beginning.

**IMPORTANT:** Take care not to over-tighten screws as doing so may crack the wood or strip the screw hole, causing a weak connection and reduced stability.

## STEP 1

- 02: 2
- 03: 2
- 04: 1
- A: 16
- C: 24



Locate and lay out two Side Panels (02), two Top Aprons (03), and Shelf (04).

### Install Wood Dowels (A) into each component as noted below:

- Side Panel (02), install one Wood Dowel (A).
- Top Apron (03), install two Wood Dowels (A).
- Shelf (04), install ten Wood Dowels (A).

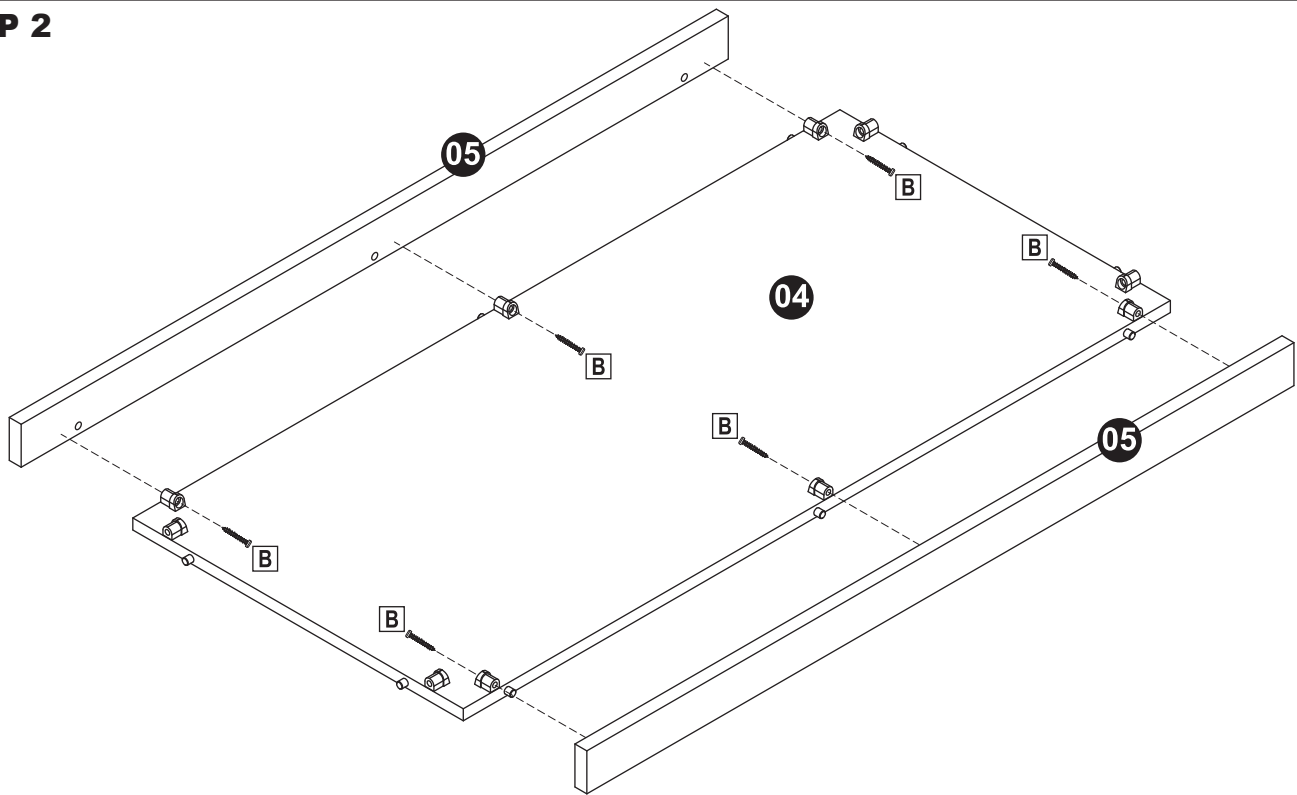
### Install Connectors (C) into each component as noted below:

- IMPORTANT:** Ensure the angled edge of the connector faces the inside of the panel.
- Side Panel (02), install two Connectors (C).
- Top Apron (03), install five Connectors (C).
- Shelf (04), install ten Connectors (C).

## STEP 2

05: 2

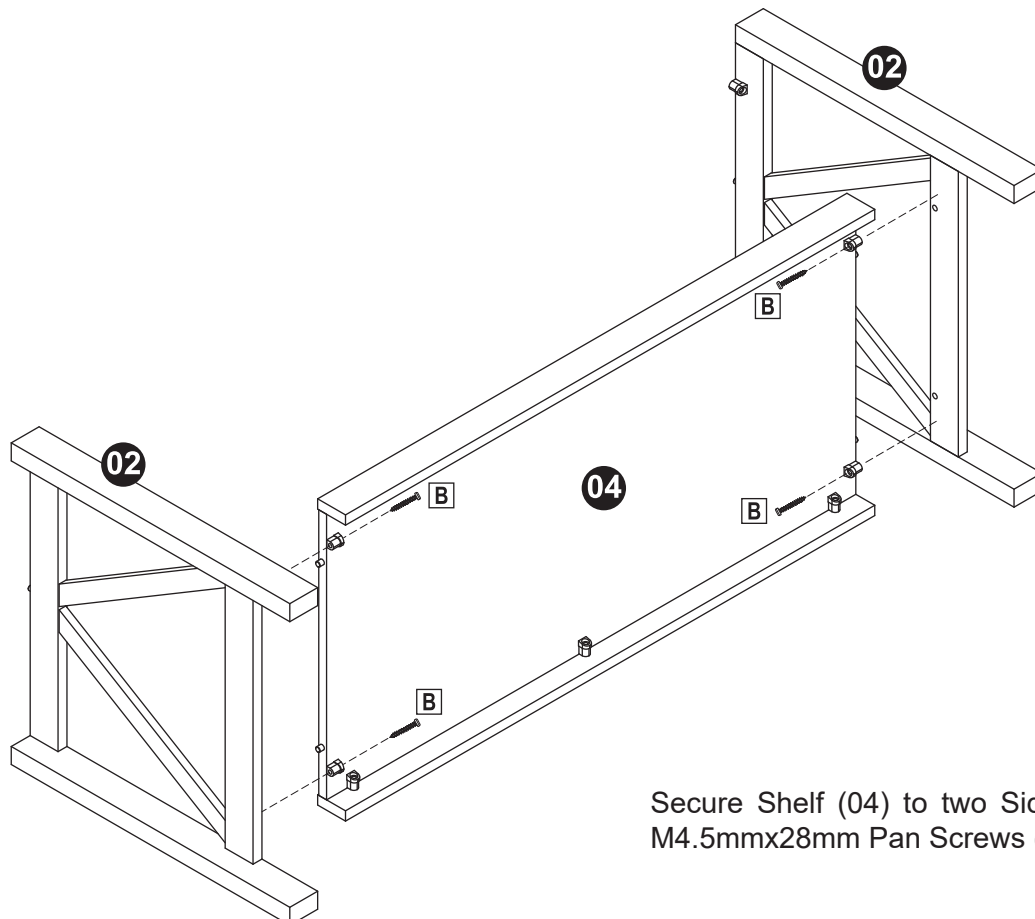
B: 6



Align two Shelf Aprons (05) with Shelf (04) and secure using six M4.5x28mm Pan Screws (B).

## STEP 3

B: 4

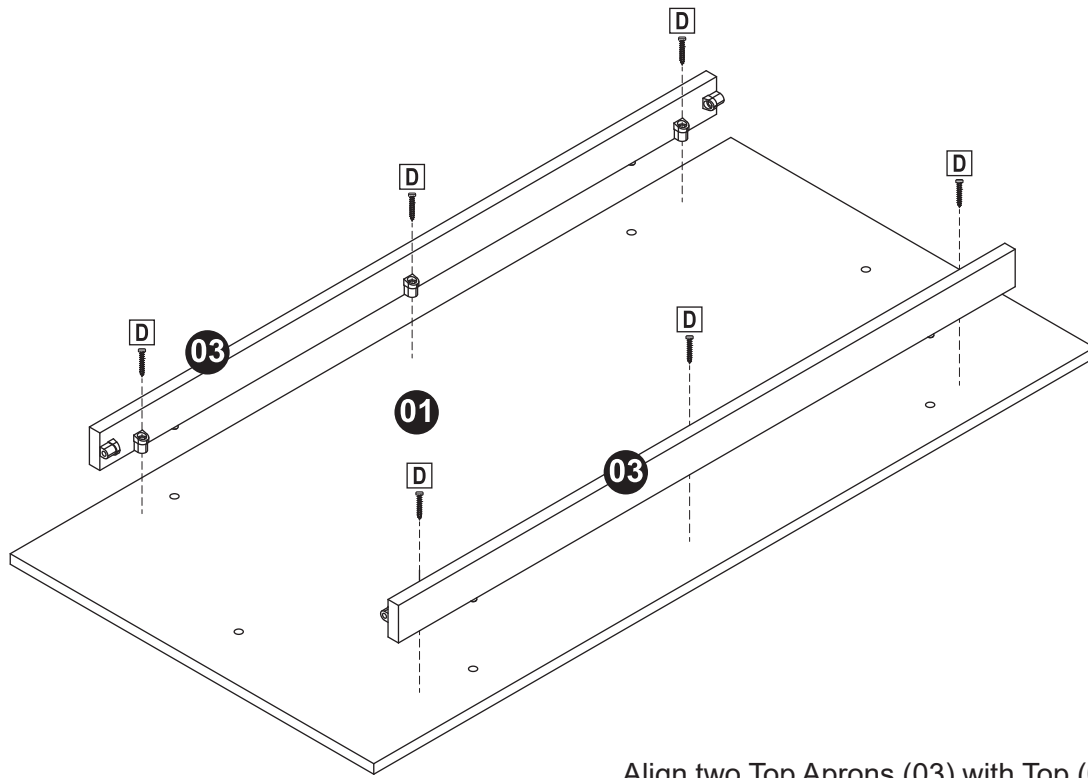


Secure Shelf (04) to two Side Panels (02) using four M4.5mmx28mm Pan Screws (B), as shown.

## STEP 4

01: 1

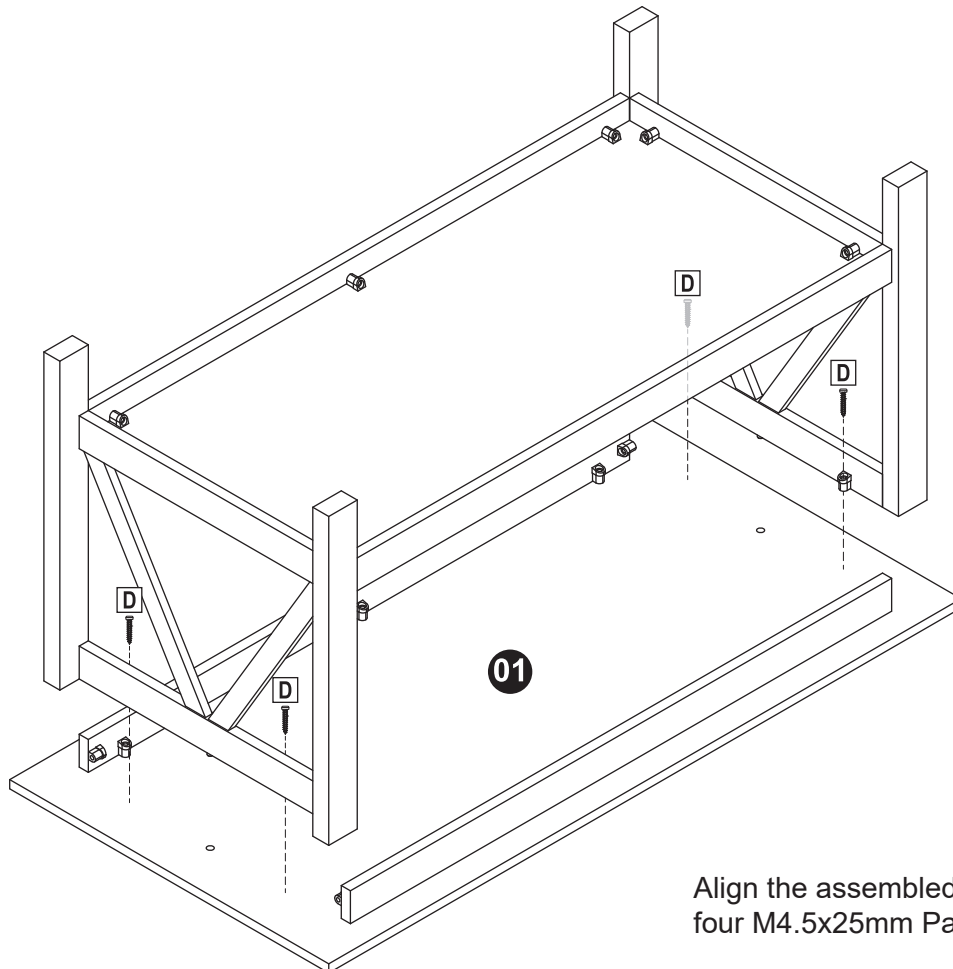
D: 6



Align two Top Aprons (03) with Top (01) and secure using six M4.5x25mm Pan Screws (D).

## STEP 5

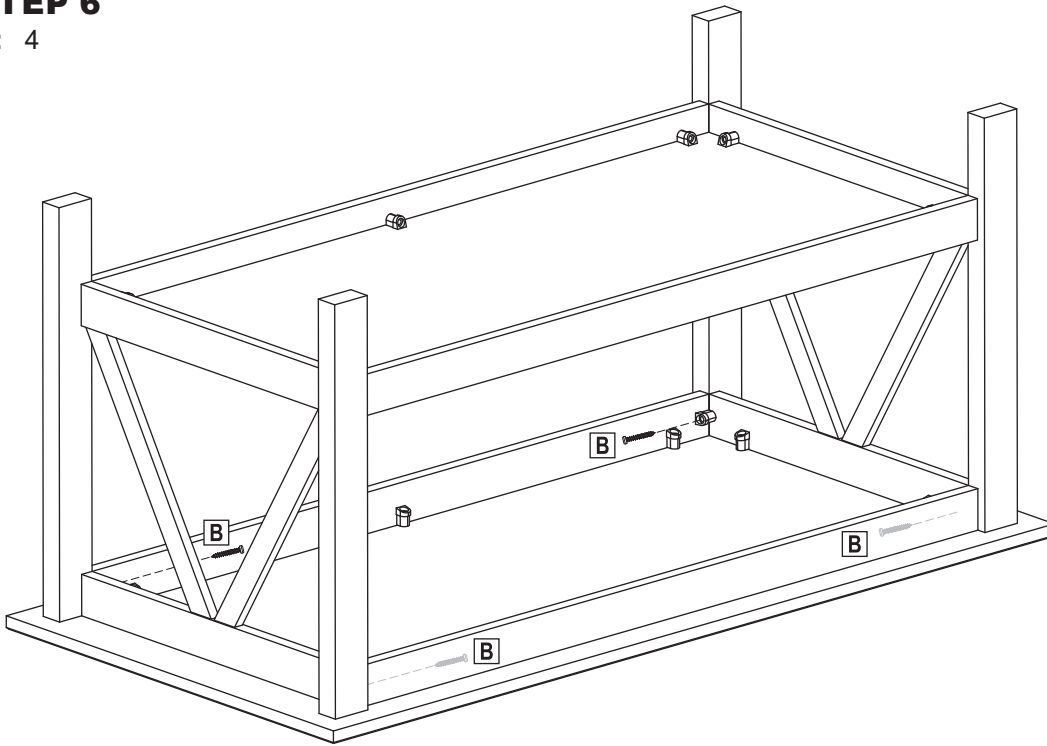
D: 4



Align the assembled frame with the top and secure using four M4.5x25mm Pan Screws (D).

## STEP 6

B: 4



Secure the top aprons to the side panels using two M4.5x28mm Pan Screws (B).

## ! SAFETY STATEMENTS & WARNINGS !

- For residential use only. Not for commercial or industrial use.
- For indoor use only.
- Ensure fittings are tight before use. Periodically check fitting to ensure they are tight.
- Only use this unit on a flat, level surface.
- Do not sit, stand or climb on the unit.
- Supervise children; never allow children to climb or sit on this unit as it may tip over and cause serious injury.
- Do not place liquids or hot items directly on the furniture.
- Never use chemical cleaning products or polishes as they may damage the finish.
- Do not exceed the weight capacity of the furniture.
- Do not overload the shelf, as doing so may cause it to sag.
- Avoid long-term exposure to sunlight.
- Avoid placing unit near heating or cooling vents as forced air is very drying and can damage the unit.
- Do not write on furniture without a padded barrier to protect the surface.

**Any modification to the product or failure to follow recommended care will void the product warranty.**

*If you experience issues with assembly or the product was damaged during shipping, please contact our customer service team directly through one of the methods mentioned at the top of page 1.*

*Please have the item number and order information ready to expedite response time.*

## ! WARNING:

**Manufacturer and seller expressly disclaim any and all liability from personal injury, property damage or loss, whether direct or indirect, or incidental, resulting from the incorrect attachment, improper use, inadequate maintenance, or neglect of this product.**