

DS-2CD6W32FWD-IVS

3 MP Ultra-Wide Panoramic Network Camera



- 1/3" Progressive Scan CMOS
- 3 MP Image Sensor
- 2048 × 1536 Resolution, Real-Time Streaming
- True WDR, up to 120 dB
- True Day/Night
- Line Crossing and Intrusion Detection
- ROI Encoding
- Up to 50 ft. (15 m) IR Range
- Built-in Microphone and Speaker
- Audio/Alarm I/O/RS-485
- IK10
- 12 VDC/PoE (802.3af)



The Hikvision DS-2CD6W32FWD-IVS is designed to provide complete area coverage by eliminating blind spots below and to the side of the camera. The 3 MP progressive scan CMOS sensor, included 45° wall mount, and 2 mm panoramic lens provide 135° horizontal and 98° vertical fields of view.

With a 50 ft. (15 m) IR range, true day/night switching, built in microphone and speaker, and IK10 certification, the

DS-2CD6W32FWD-IVS is perfect for low risk detention areas, public areas, or anywhere a complete surveillance solution that provides exceptional coverage is required.

Additional features include line cross, intrusion, and motion detection, as well as region of interest encoding and recording.

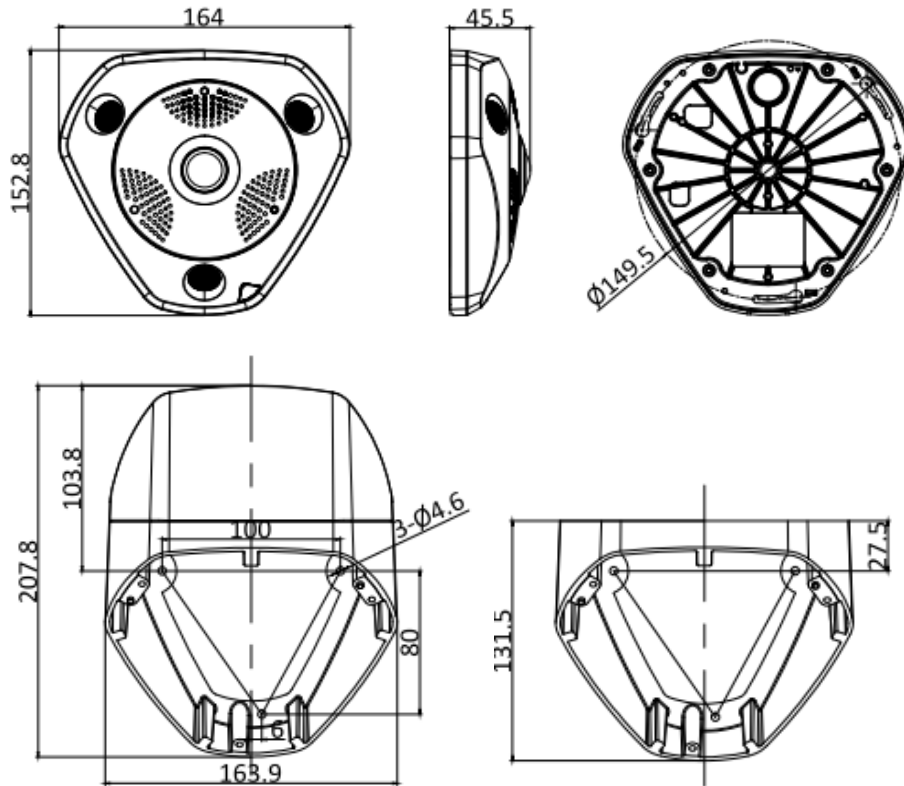
Available Models: DS-2CD6W32FWD-IVS (includes convertible wall/ceiling mount)



Specifications

DS-2CD6W32FWD-IVS	
Camera	
Image Sensor	1/3" progressive scan CMOS
Minimum Illumination	0.1 lux @ f/1.2, AGC on, 0 lux with IR
Shutter Speed	1/25s to 1/100,000s
Lens	2 mm, f/2.4; horizontal view: 135°, vertical view: 98°
Day/Night	True Day/Night Infrared Cut Filter Removal (ICR) low-light capabilities
Compression Standard	
Video Compression	H.264 Baseline Profile/Main Profile/High Profile
Video Bit Rate	32 Kbps to 16 Mbps
Audio Compression	G.711/G.726/MP2L2
Audio Bit Rate	64 Kbps (G.711)/16 Kbps (G.726)/32 Kbps to 128 Kbps (MP2L2)
Image	
Maximum Resolution	2048 × 1536
Main Stream	50 Hz: 2048 × 1536 @ 25 fps; 60 Hz: 2048 × 1536 @ 30 fps
Sub-Stream	50 Hz: 704 × 576 @ 25 fps; 60 Hz: 704 × 480 @ 30 fps
Digital Noise Reduction	3D DNR
Image Setting	Saturation, brightness, contrast, hue, sharpness, AGC, white balance
Wide Dynamic Range	120 dB
Day/Night Switch	Auto/schedule/alarm trigger
Region of Interest (ROI)	Up to four fixed areas of optimized encoding in each stream
Network	
Network Storage	NAS (supports NFS, SMB/CIFS)/64 GB microSD/SDHC/SDXC card
Alarm Trigger	Line crossing detection, intrusion detection, motion detection, dynamic analysis, tampering alarm, network disconnect, IP address conflict, storage exception
Protocols	TCP/IP, ICMP, HTTP, HTTPS, FTP, DHCP, CGI DNS, DDNS, RTP, RTSP, RTCP ONVIF, ISAPI (PROFILE S, PROFILE G), PSIA, GB 28181
Security	Reset, flickerless, heartbeat, password protection, video cover, watermark, IP address filtering, anonymous access
Interface	
Communication	1 RJ-45 10M/100M/1000M Ethernet interface; 1 RS-485 interface
Audio Input/Output	1 3.5 mm interface, mic in/line in; 1 built-in mic, 24 dB/1 3.5 mm interface; 1 built-in speaker, supports echo cancellation
Alarm Input/Output	1/1
On-Board Storage	Built-in microSD/SDHC/SDXC slot, up to 64 GB
General	
Operating Conditions	-22° F to 140° F [-30° C to 60° C]; humidity 95% or less (non-condensing)
Power	12 VDC ±10%/PoE (802.3af), maximum 12 W
IR Range	49 ft (15 m)
Certifications	UL, IEC, FCC
Impact Protection	IEC60068-2-75Eh, 20J; EN50102, up to IK10
Dimensions	w/wall mount: 8.5" x 5.28" x 6.45" (215.8 mm × 134.2 mm × 163.9 mm) w/ceiling mount: 5.49" x 5.28" x 6.45" (139.4 mm × 134.2 mm × 163.9 mm)
Weight (w/bracket)	4.41 lbs (2000 g)

Dimensions



Box Contents (Subject to Change without Notice)

Camera Bracket
Drill Template
Machine Screws
Quick Start Guide
Screws
Watertight Cable Connector
Wrench