

**Replacement parts available
by visiting web site**

www.elkay.com

ELKAY LIMITED LIFETIME FAUCET WARRANTY ON RESIDENTIAL FAUCETS

Limited Lifetime Functional and Finish Warranty

Elkay warrants to the original consumer purchaser that the Elkay faucet purchased will be free from defects in material and workmanship for as long as the original consumer purchaser owns the faucet. Elkay will, at its option, supply replacement parts (or if no longer available a comparable product) if the faucet fails due to a defect in material or workmanship. This warranty does not apply in the event of product surface damage caused by abuse, misuse or improper care and maintenance. This warranty excludes damage caused by harsh or abrasive cleaners and/or materials. This warranty excludes all industrial, commercial and business use, whose purchasers are hereby extended a limited lifetime on mechanical parts and 5 years on finish. Product replacement does not include transportation cost or labor installation cost. Elkay reserves the right to examine product in question and its installation prior to replacement.

OTHER WARRANTY CONDITIONS ON FAUCETS

Our warranty does not cover product failure or damage caused by abusive treatment, misuse, environmental factors, improper care and cleaning, or damage due to handling or faulty installations. This warranty is extended only to the original consumer purchaser of the product. This warranty does not cover shipping costs, labor costs, or any other charges for such items as installation or replacement of the sink, diagnosis or replacement of any faucet or component part, or any other expense or loss.

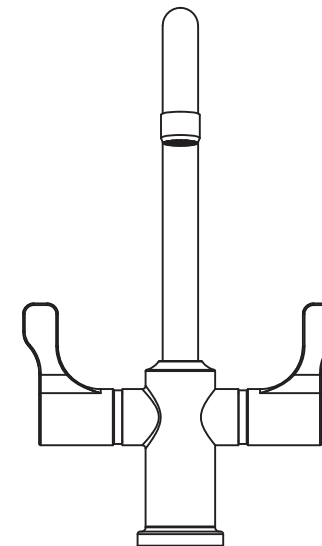
All incidental or consequential damages are specifically excluded. No additional warranties, express or implied are given. Any implied warranty, including one of merchantability or fitness for a particular purpose, is limited to the duration of this written warranty.

Some states do not allow the exclusion or limitation of incidental or consequential damages or limitations on how long an implied warranty lasts, so the above limitations or exclusions may not apply to you. This warranty gives you specific legal rights, and you may also have other rights which vary from state to state.

TO OBTAIN SERVICE UNDER WARRANTY

1. Write to: Elkay
Attention: Consumer Services
1333 Butterfield Rd, Suite 200
Downers Grove, IL 60515
2. Include a letter containing the following information:
 - a. Date of purchase and installation.
 - b. Description of nature of defect.
 - c. Model number or description of model and/or component part if possible.

How to Install a Single Hole Top Mount Faucet

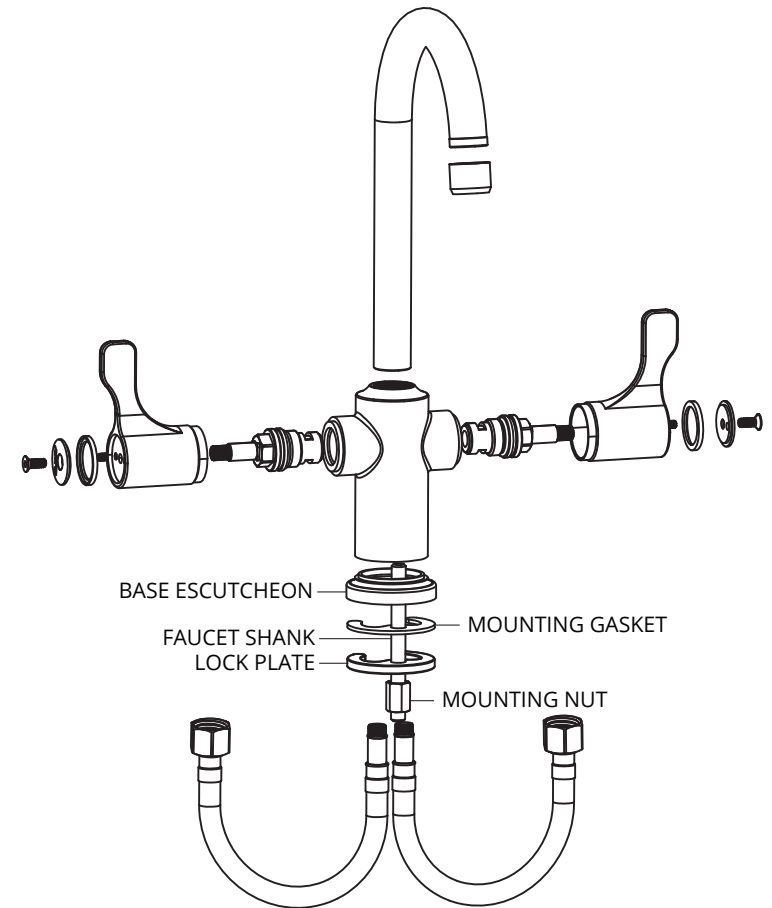


Install Faucet

1. Remove mounting nut, mounting gasket and lock plate from faucet shank.
2. Be sure mounting surface is clean and dry. Apply plumbers putty or silicon sealer to bottom of base escutcheon. This faucet requires a maximum faucet hole size of 1-1/2". A hole larger than 1-1/2" will affect the performance of the faucet.
3. Place faucet shank through hole in sink and center over hole.
4. Fasten faucet to deck from underneath sink using washer, lock plate and mounting nut. Tighten.
5. Clean extra plumbers putty or silicone from around escutcheon.
6. Connect supply lines to supply valves and tighten.
7. Remove aerator from spout and Flush water lines to remove dirt and sediment from water lines. Replace aerator.

Install Handles (if required)

1. Ensure cartridge (valve) is in the "off" position. (Fully counter clockwise for Cold and Fully clockwise for Hot.)
2. Insert handle over cartridge stem
3. Insert alignment screw in handle hole towards back of sink. Screw in only half way.
4. Place Red Temperature Indicator Ring in the top of the hot side handle and the Blue ring in the top of the Cold side handle.
5. Place Logo part in top of both handles so logo can be read from front of sink.
6. Thread handle set screw into each handle and tighten.



Attention Installer:

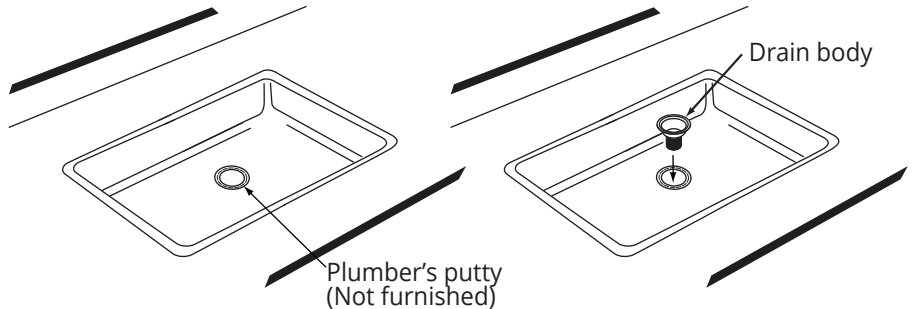
- Elkay is not responsible for improper drain installations.
- Elkay is not responsible for the sink if damaged during installation.
- Follow all local plumbing and building codes.
- Inspect drain for damage prior to beginning installation.

Required Tools (not included)



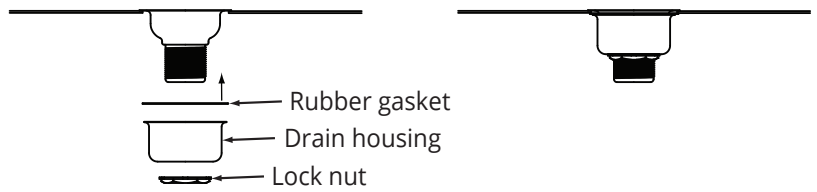
Installation

- 1** Apply plumber's putty or sealant to the top of the sink drain flange area. Place drain body in the the drain opening of the sink.



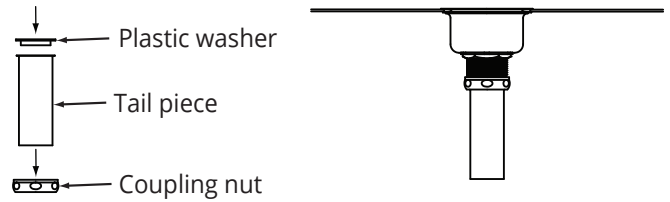
- 2** From the underside of the sink, slide the rubber gasket over the bottom of the drain body till it's flush with the bottom of the sink.

Slide the drain housing over the bottom of the drain body till it's flush with the rubber gasket and the bottom of the sink. Thread on the lock nut until tight with the housing.



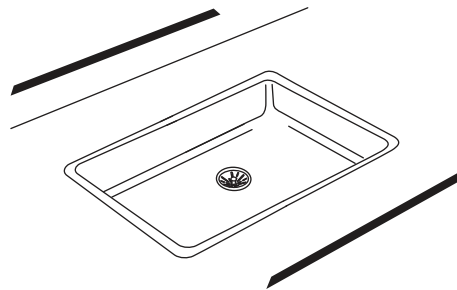
- 3** Place the plastic washer inside of the tail piece. Slide the coupling nut over the tail piece.

Thread on the coupling nut onto the drain housing until tight.



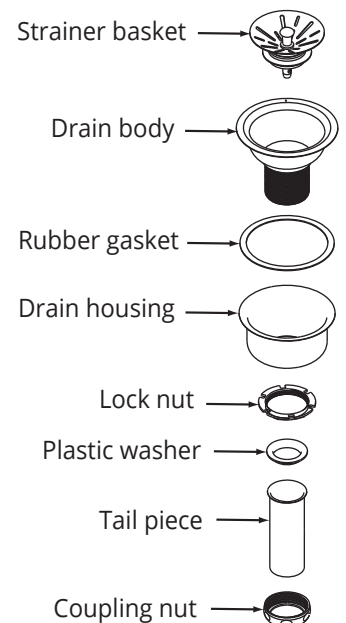
- 4** Wipe away any excess plumber's putty from the sink with a rag.

Place strainer basket into the drain body.



*Note: Drain bodies and strainer baskets may vary depending on models. Some models may come with a strainer grid, in place of a strainer basket, that will need to be screwed into the drain body.

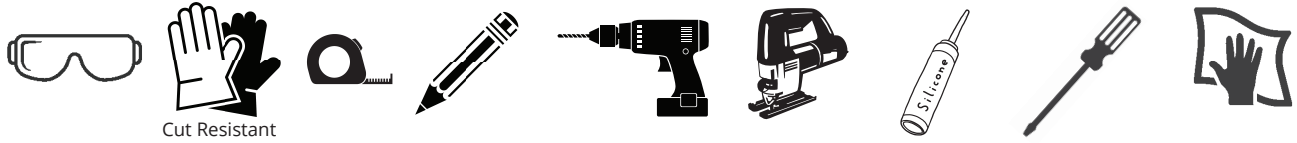
**Model shown is a LK99.



Attention Installer:

- Elkay recommends that drop-in sinks be installed by a professional, experienced installer.
- Elkay is not responsible for the sink or countertop if damaged during installation.
- Metal edges may be sharp. Use caution when handling.
- Follow all local plumbing and building codes.
- Inspect sink for damage prior to beginning installation.

Required Tools (not included)



Cut Resistant

Installation

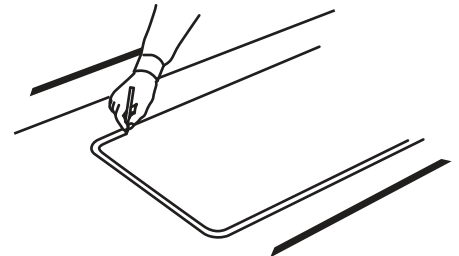
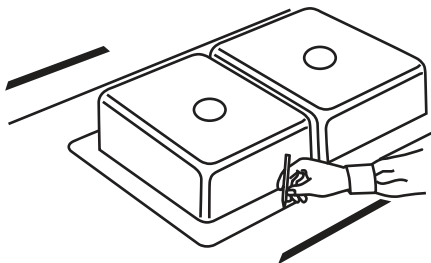


WARNING: Always wear safety goggles and gloves when using power tools or handling the sink to prevent personal injury.

- 1** Position the sink upside down on the countertop.

Trace a line around the edge of the sink.

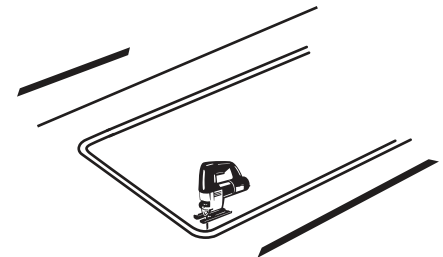
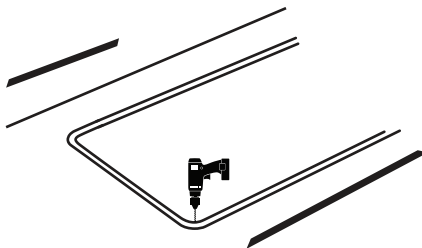
Draw a line 5/16" inside of the outline of the sink.



- 2** Drill a pilot hole in all four corners of the inside line.

Use a saber or jig saw to cut on the inside line.

Place a support underneath the cutout portion of the countertop to prevent it from falling during cutting.



- 3** Apply silicone caulk (not included) around the cutout in the countertop surface.

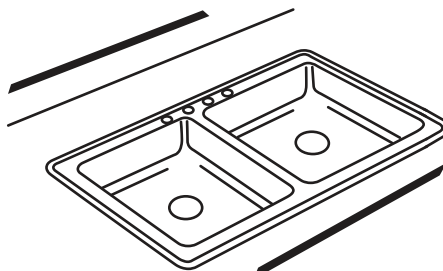
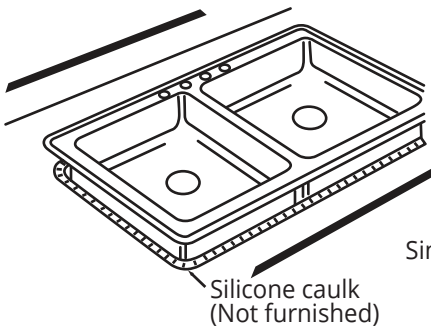
Carefully lower the sink into the cutout.

Assemble the clips and screws.

From the underside, place a clip in the center along each side and hand tighten to hold sink in place. Fasten the remaining clips along the edges and space them approximately 3" from each end, and equally along the front, back, and sides. For countertops thicker than 3/4", clips can be spaced as close as 1-1/2".

From the top, check the seal between the sink edge and countertop. Lightly tighten clips evenly with a screwdriver until the sink is tight to the countertop. Do not over tighten.

Wipe away any excess caulk with a rag.



Installation Profile

