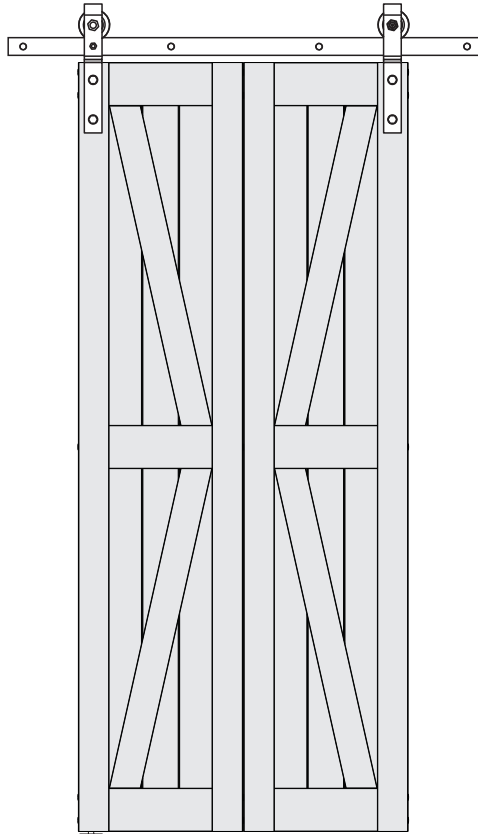


ANZZI®

ITEM: ID-AZBD04

ANZZI BARN DOOR
INSTALLATION & OPERATION MANUAL

V1.1
08/16/2024



DON'T WAIT! REGISTER NOW!

Register your product within 90 days to ensure your product is recognized as an official purchase and is eligible for warranty coverage.

Register online at <https://anzzi.com/pages/register> or scan the QR code at PG. 2.



PRODUCT REGISTRATION*

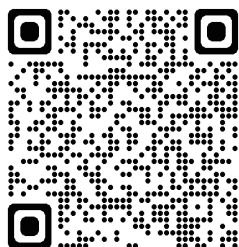
IMPORTANT: Warranty will not be recognized unless product is registered.

Register online at <https://anzzi.com/pages/register> or Scan the QR code below.

Registering online is fast, secure, and ensures we receive your information.

1

SCAN QR CODE



2

FILL IN THE
REGISTRATION FORM

Thank you for your purchase!

Registering your products ensures you maximize your warranty benefits and receive prompt service and support.

Name*

Email*

City*

Order #*

Installer Name

⋮

Model Purchased*

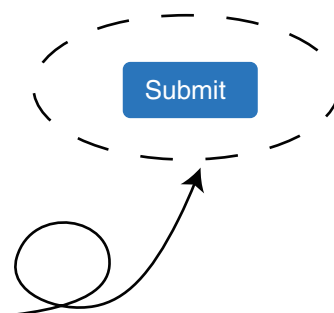
Installer Phone Number

Customer Age Range

Submit

3

CLICK SUBMIT TO FINISH
PRODUCT REGISTRATION



Need help? For technical support call 305-614-4070 or visit us at www.ANZZI.com

INSTALLATION GUIDE

BEFORE YOU BEGIN

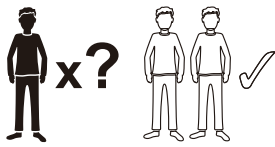
- Please check the product for damage and missing parts immediately upon delivery. Damage reported later will not be covered by our warranty. Please handle the product with care. Avoid any impact to the sides and edges of the door.
- Consult your local building codes before installation.
- Read instructions fully before starting the installation of your barn door. Not following the installation instructions can cause the unit to work in an unsafe manner and cause injury.
- The barn door kit has been designed to work as a total system. Any modification to the door or the hardware will void the warranty and may cause the unit to work improperly.



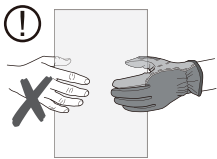
WARNING

- Due to the weight of the barn door, installation requires two people. Always wear appropriate personal protection equipment when using tools and follow manufacturer's operating instructions.
- When installing directly into a non-concrete wall, do not attempt to install the track solely to the drywall or any wall surface as this may not support the weight of the track and mounted door.
- The track must be installed onto a piece of solid wood blocking using mounting screws (included in some complete kits).
- Ensure the solid wood blocking is secured into the structural surface.
- Use a stud finder where necessary to locate studs and secure safely.
- Typical solid wood blocking should be a 1"x4" solid wood board the length of the track.

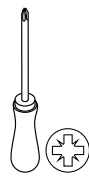
TOOLS REQUIRED



- The help of a second person may be required due to product's weight.



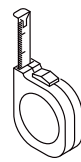
- Use cut-resistant, non-slip gloves to reduce the risk of personal injury and to hold the glass firmly.



Phillips Screwdriver



Level



Tape Measure



Drill



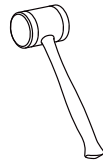
5/16" (8mm) Drill Bit



3/8" (10mm) Drill Bit



Pencil



Rubber Mallet



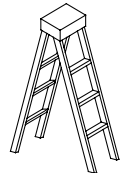
Safety Glasses



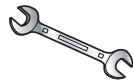
100% Silicone Sealant



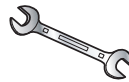
Stud Finder



Ladder



13mm Wrench



16mm Wrench



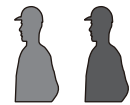
17mm Wrench



22mm Wrench



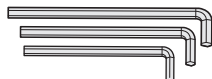
This product is heavy and may require two people to install.



PARTS DOOR KIT



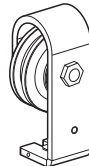
[01]



[02]



[04]



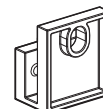
[05]



[07]



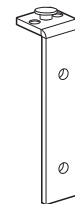
[06]



[08]



[09]



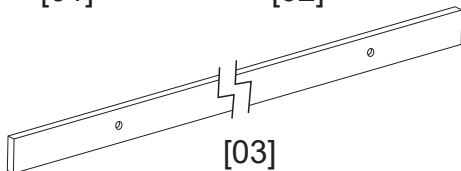
[10]



[11]



[12]



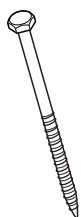
[03]



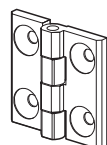
[13]



[14]



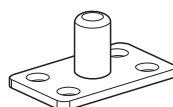
[15]



[16]



[17]



[18]



[20]



[19]

PARTS

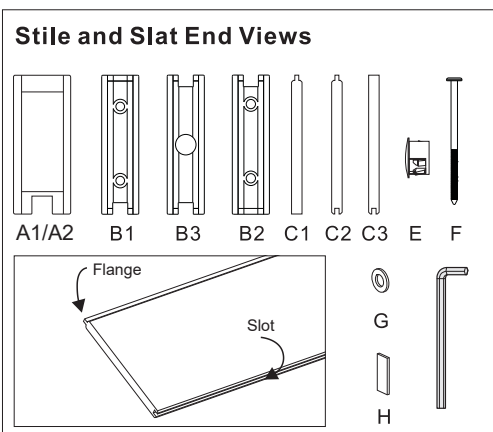
DOOR KIT

Part	Description	Qty.
[01]	Spacers	4
[02]	Allen Wrench	3
[03]	Track	1
[04]	Moveable Roller	1
[05]	Fixed Roller	1
[06]	Nut	1
[07]	Hex Bolt	1
[08]	Fixator	1
[09]	Hex Screw	2
[10]	Bracket	2

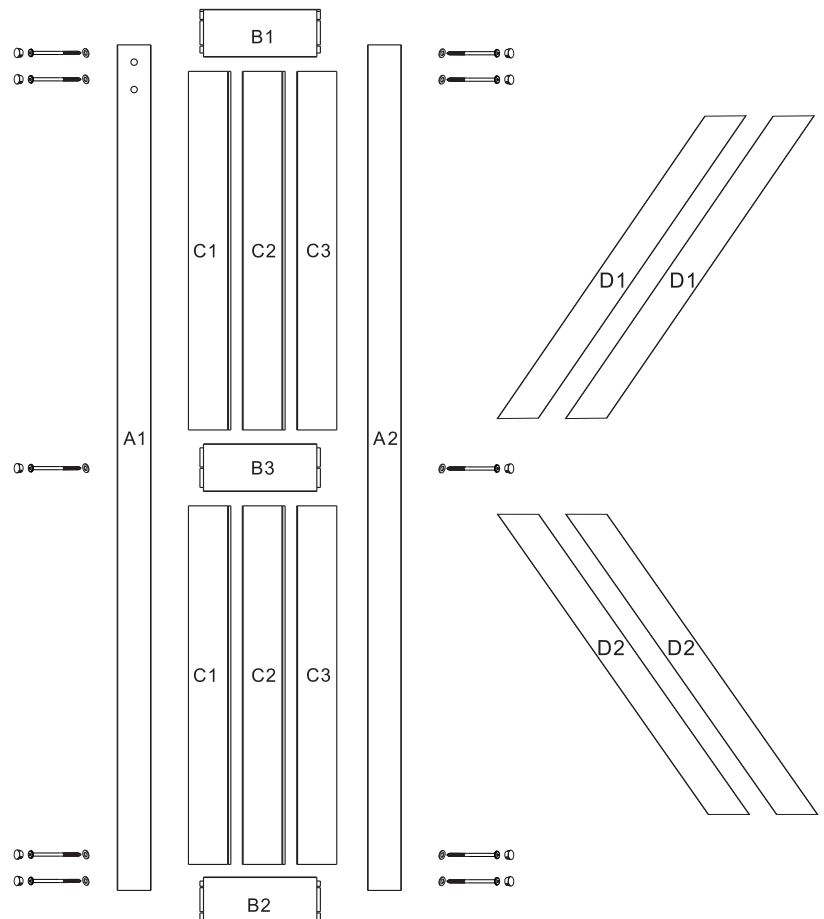
Part	Description	Qty.
[11]	Bolt assembly	4
[12]	#10 x 0.98" Screw	4
[13]	3/8" Anchor	4
[14]	Gasket	4
[15]	5/16" x 3.5" Bolt	4
[16]	Hinge	3
[17]	#14 x 0.98" Screw	12
[18]	Shaft	1
[19]	#8 Screw	4
[20]	5/16" Anchor	4

DOOR

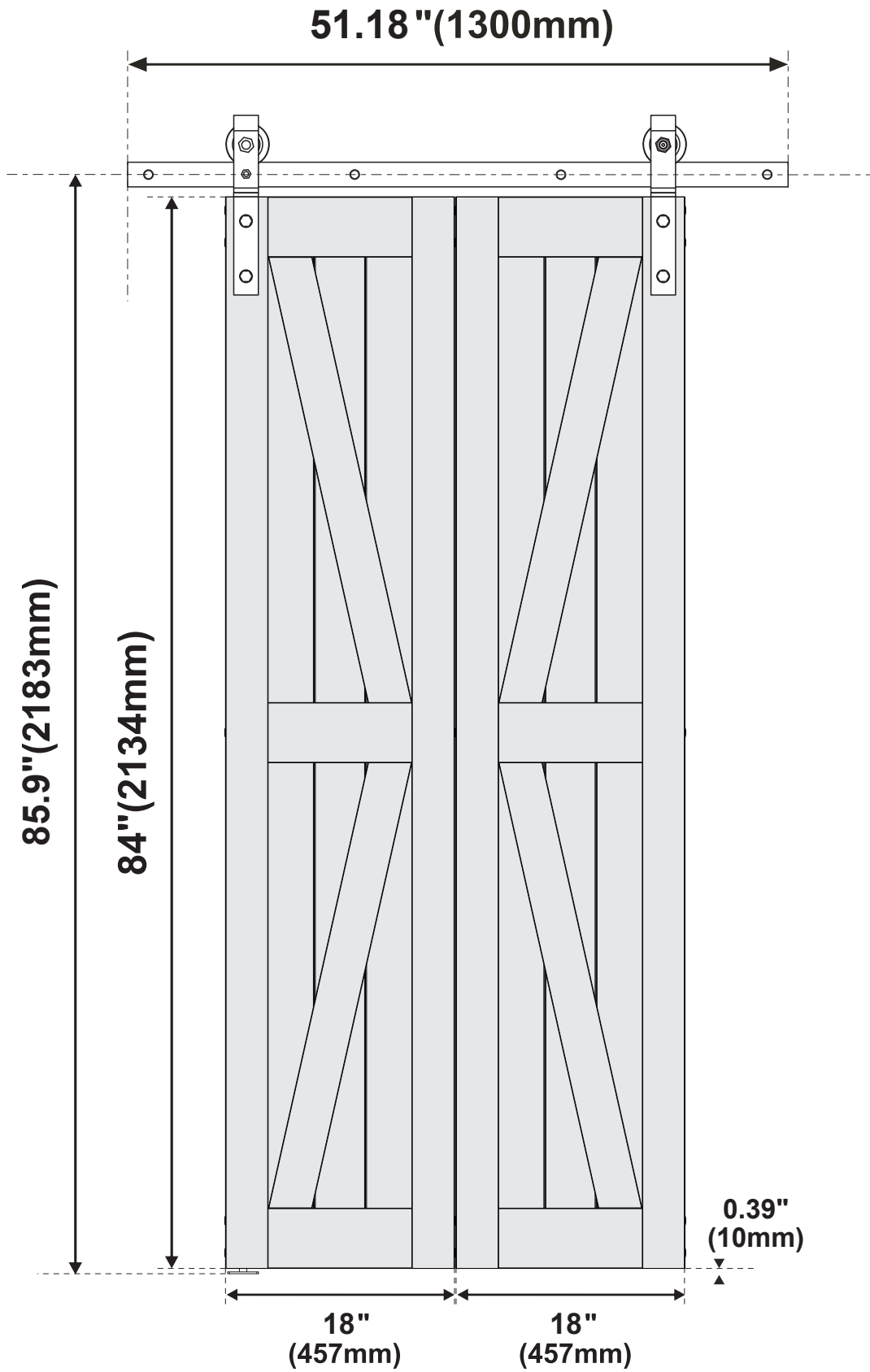
Part	Description	Qty.
A1	Side Stile	2
A2	Side Stile 2	2
B1	Top Rail	2
B2	Bottom Rail	2
B3	Middle Rail	2
C1	Left Side Slat	4
C2	Middle Slat	4
C3	Right Side Slat	4
D1	K Diagonal Overlay (with 3M Tape)	4
D2	K Diagonal Overlay (with 3M Tape)	4
E	Cover	20
F	Carriage Bolt	20
G	Washer	20
H	Gasket	4



Note: Add Gaskets [H] between one Side Stile [A] and Left Side Slats [C1] or Right Side Slats [C3] to secure the slats tightly if necessary.



PRODUCT SIZE CHART





ATTENTION

- To avoid personal injury or property damage, identify components and read all instructions before installing.

INSTALLATION INSTRUCTION

Step 1

Lay out **Side Stile [A1]** on flat, clean surface with cloth under it. Make sure the groove side is to the inside. Attach **Top Rail [B1]**, **Bottom Rail [B2]**, and **Middle Rail [B3]** to **Side Stile [A1]** by inserting the **Flange** into the groove as figure shows below. Fasten the rails with **Washers [G]** and **Carriage Bolts [F]**.

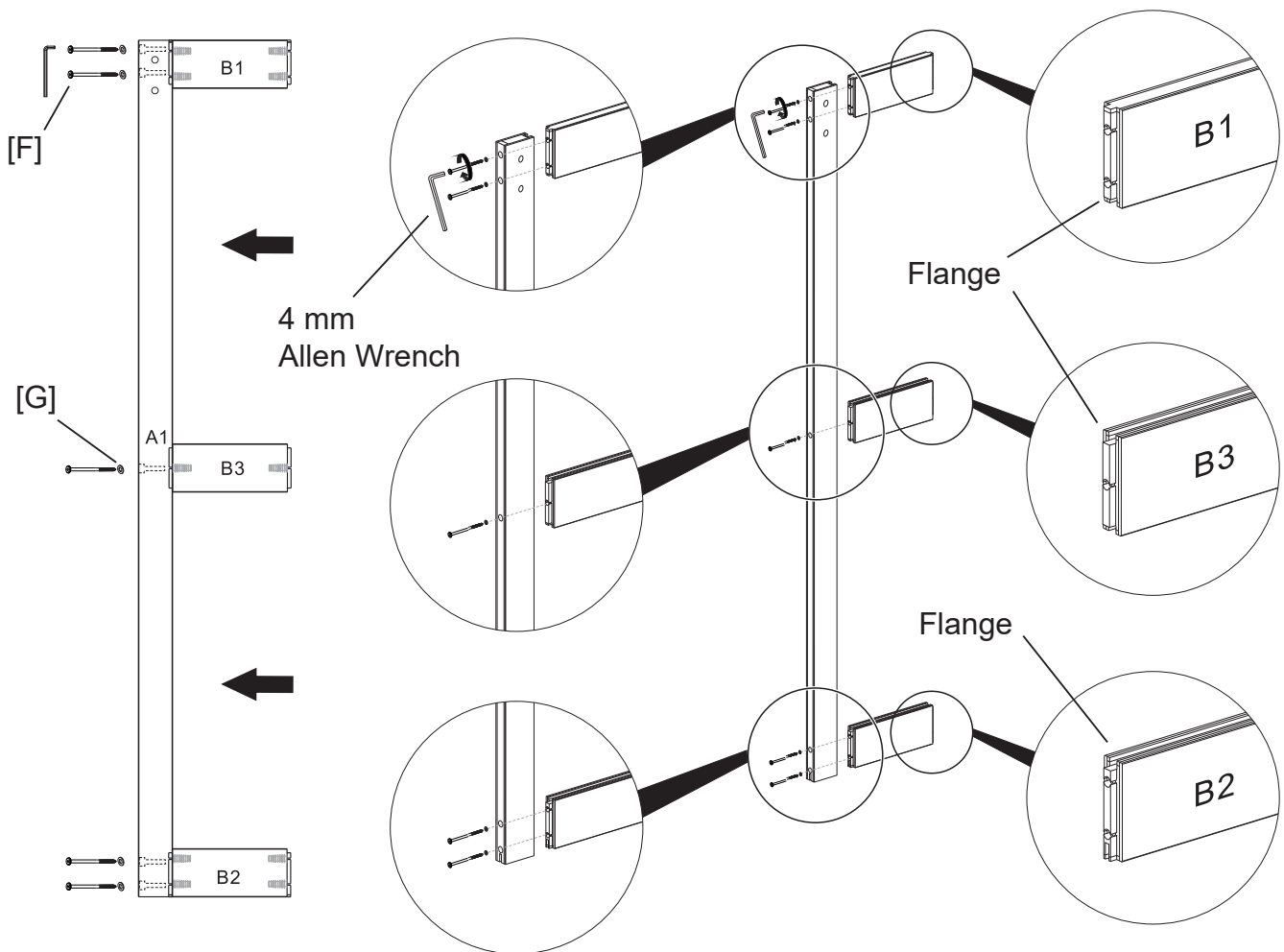


Fig 1

Step 2

1. Assemble one **Left Side Slat [C1]** follow by **Middle Slat [C2]** and one **Right Side Slat [C3]** between **Top Rail [B1]** and **Middle Rail [B3]**.
2. Install the rest of slats between **Bottom Rail [B2]**, and **Middle Rail [B3]** in the same manner as step 1.

Note: Make sure the **Flange** of the **Left Side Slat [C1]** faces to the **Slot** of **Middle Slat [C2]**, the **Flange** of **Middle Slat [C2]** faces to the **Slot** of **Right Side Slat [C3]**.

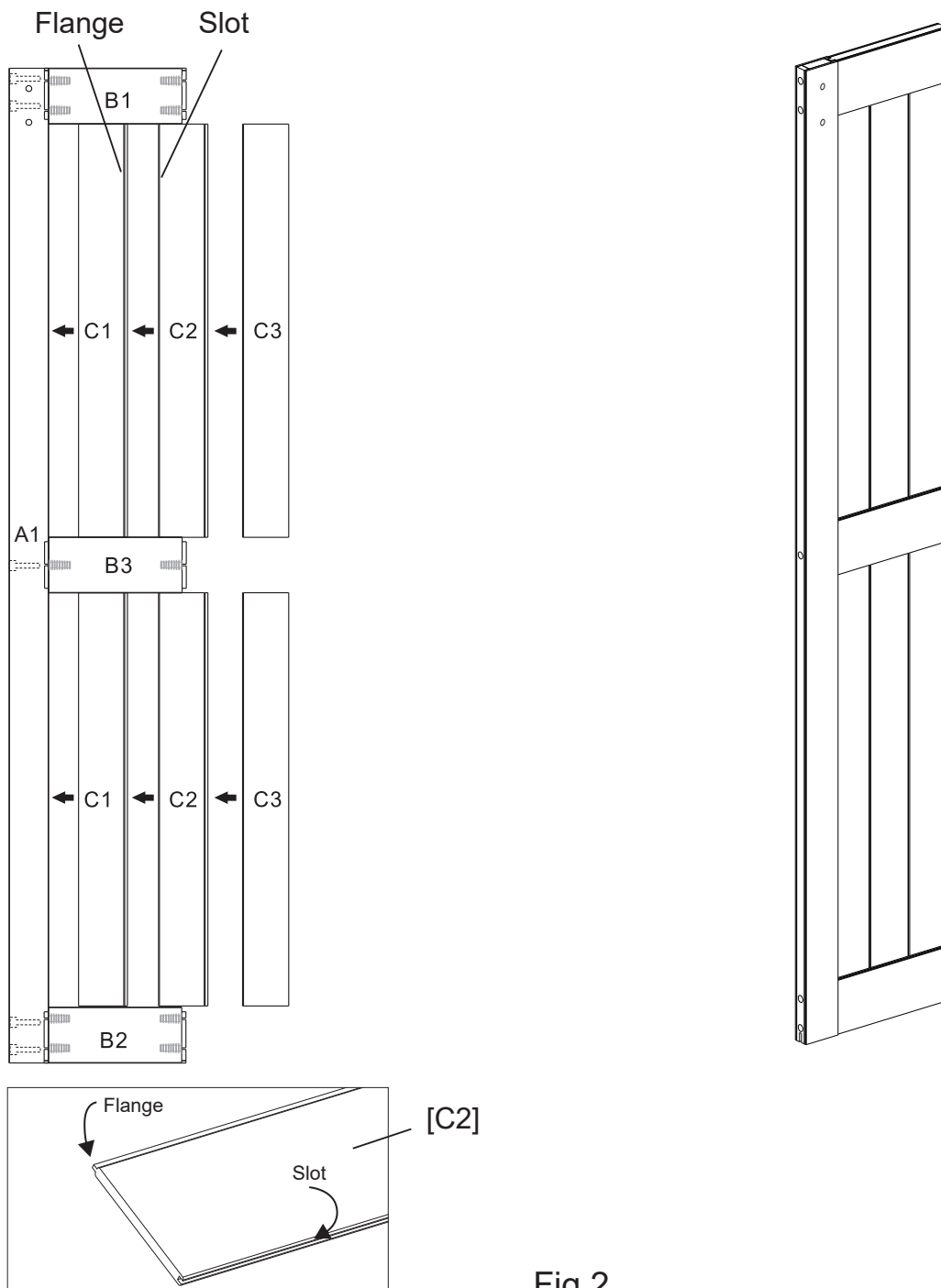


Fig 2

Step 3

Assemble **Side Stile [A2]** with groove facing to the rails and slats. Fasten it with **Washers [G]** and **Carriage Bolts [F]**.

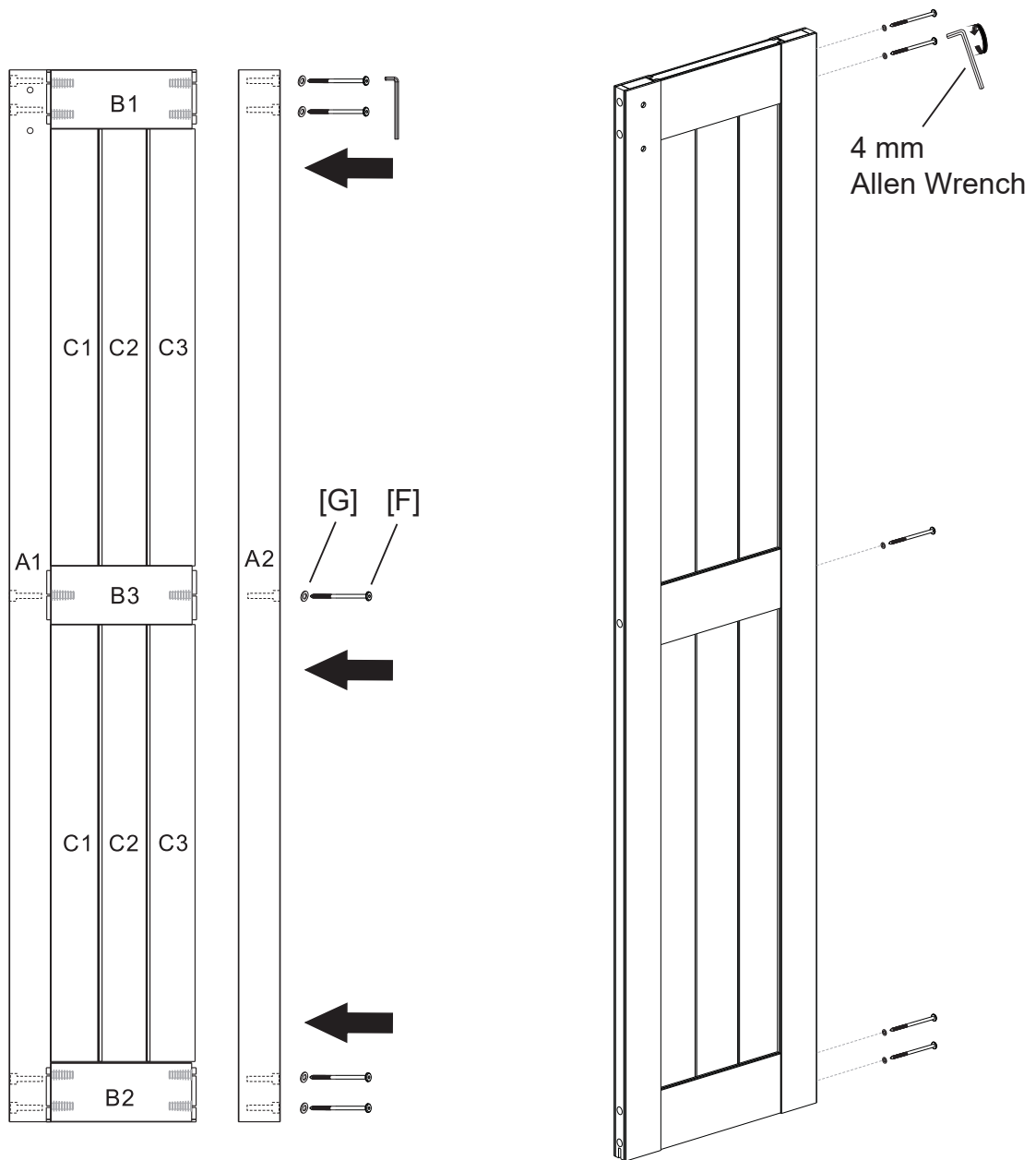


Fig 3

Step 4

1. As shown in figure 4, remove the release liner of the tape and adhere **K Diagonal Overlay [D1]** and **K Diagonal Overlay [D2]** onto the assembled door.
2. Adhere another **K Diagonal Overlay [D1]** and **K Diagonal Overlay [D2]** onto the other side of assembled door in the same way.

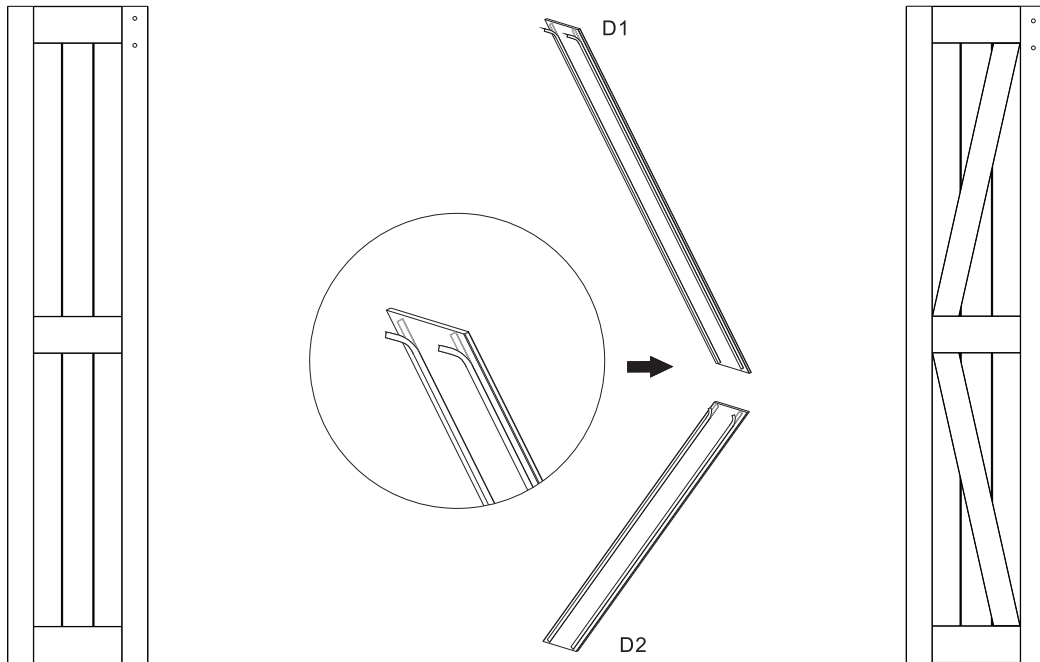


Fig 4

Step 5

1. Install the **Covers [E]** to the side of door.
2. Assemble the other door by following Step 1 to Step 5.

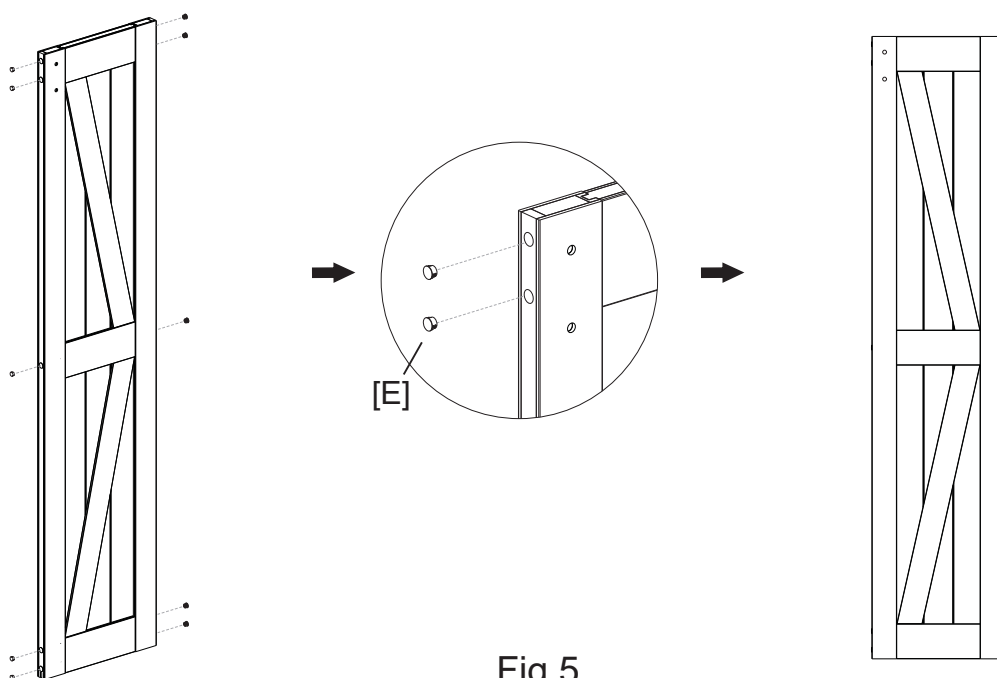


Fig 5

Step 6

1. This step requires a second person. Measure the center of **Track [03]** from the floor as figure shows. Center the **Track [03]** with the opening as figure shows. (Fig 6)
2. Hold the **Track [03]** on the wall and adjust to level position. Make sure the distance between the **Track [03]** and the floor is consistent.
3. Mark the screw holes of the **Track [03]** onto the wall. Then remove it.

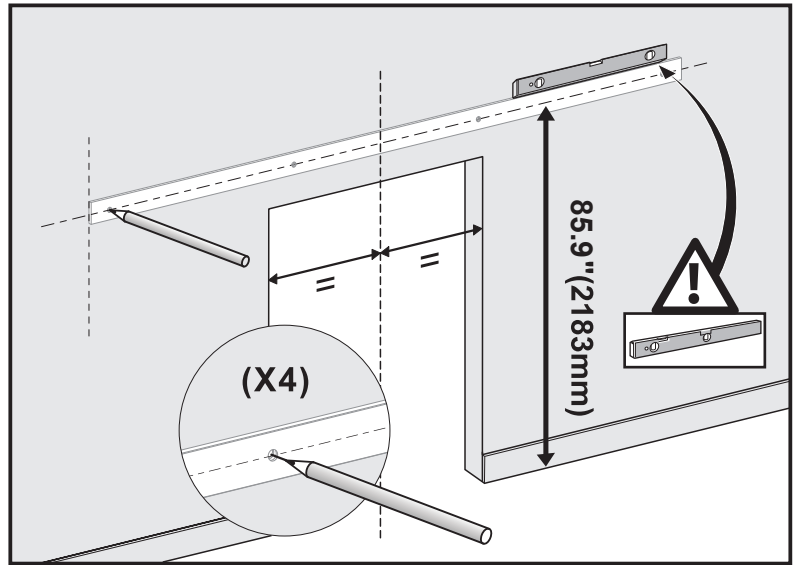


Fig 6

Note: Make sure there is a wood frame behind the location of **Track [03]**.

Step 7

Drill the holes at the screw locations in 2" deep using a 3/8" drill bit.

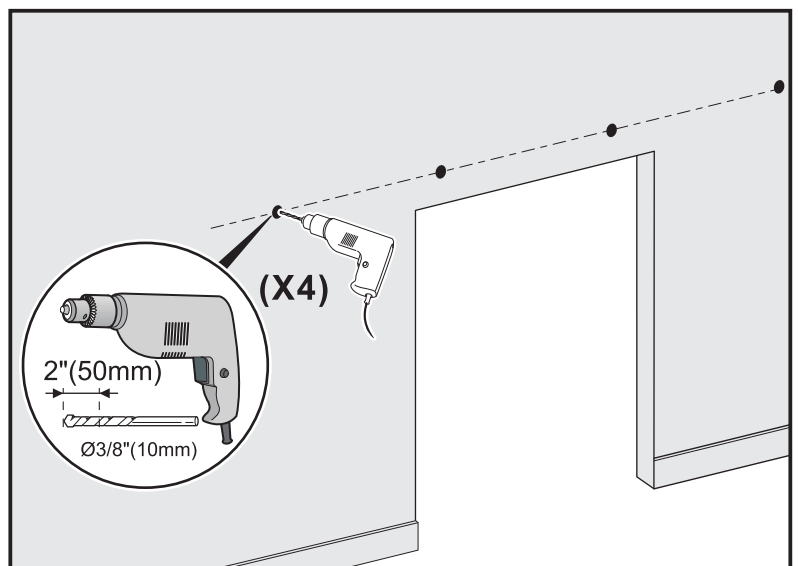


Fig 7

Step 8

1. Install **3/8" Anchors [13]** into the holes.
2. Place the **Spacers [01]** between the wall and the **Track [03]**. Secure the **Track [03]** with **Gaskets [14]** and **5/16" X 3.5" Bolts [15]**.
Tighten the bolts with 13mm Wrench.

Caution: Do not over tighten the bolts to avoid scratching the **Track [03]**.

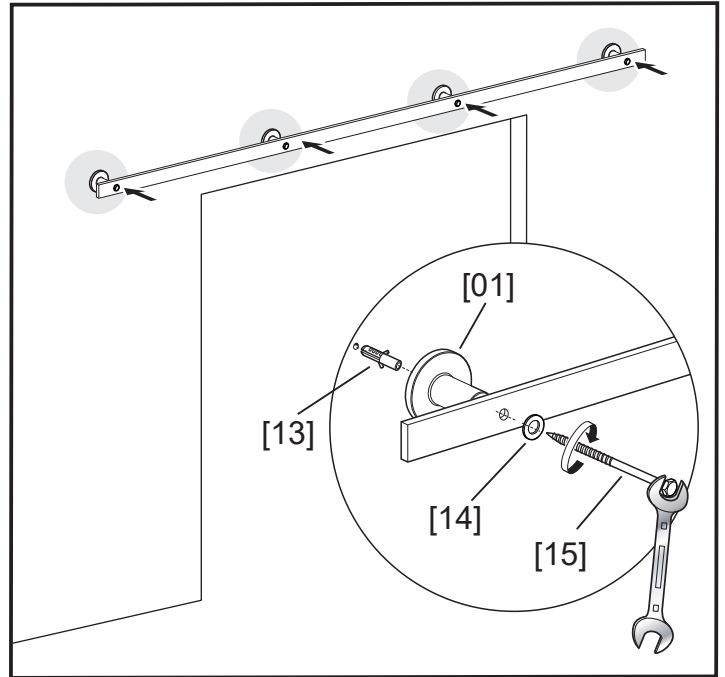


Fig 8

Step 9

1. Lay out the doors on flat, clean surface with cloth under it. (Fig 9)

Note: Make sure the holes of the doors for securing the rollers close to the outer side.

2. Align the doors and push them together.
3. Position one **Hinge [16]** at the middle of the doors and secure with **#14 x 0.98" Screws [17]**.
Position the other two **Hinges [16]** at the top and bottom of the doors as figure shows and secure.

Note: If you'd like the door to slide to the left when the opened from inside make sure the hole under the door is on the left side. Otherwise, install the hinges to the other side of the door and move the hole to the right side.

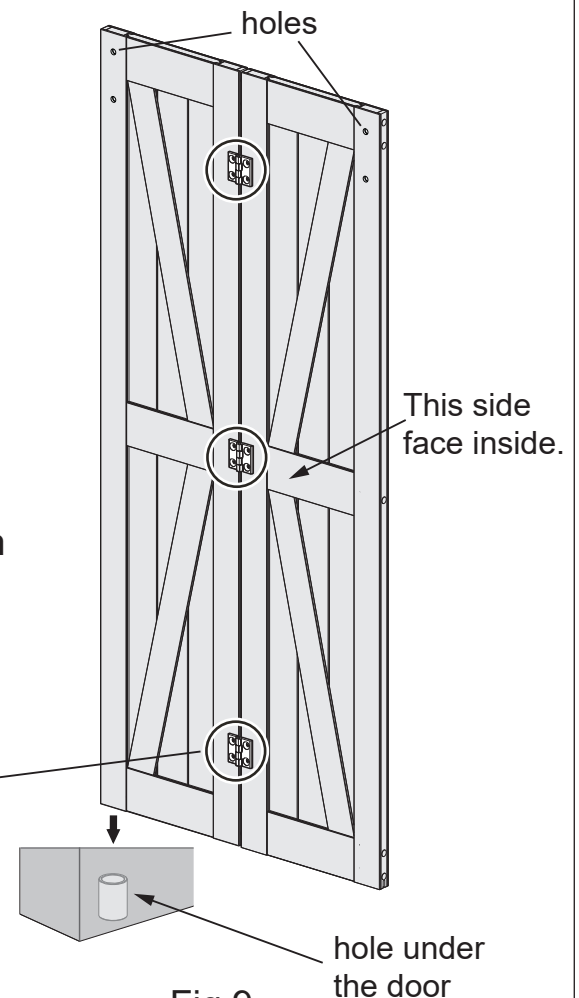
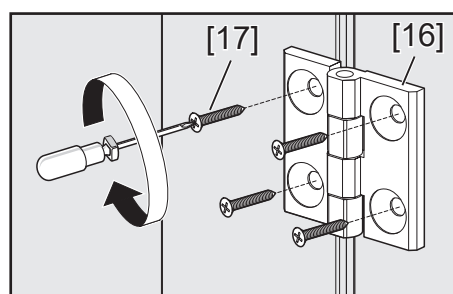


Fig 9

Step 10

1. Install **Brackets [10]** from the counter side where the **Hinges [16]** are installed and secure it with **Bolt assembly [11]** using 16mm & 17mm wrenches as figure shows. (Fig 10)

Make sure there are washers between the bolts and door, nut and **Brackets [10]**.

2. Secure the **Brackets [10]** with **#10 x 0.98" Screws [12]** from the top.

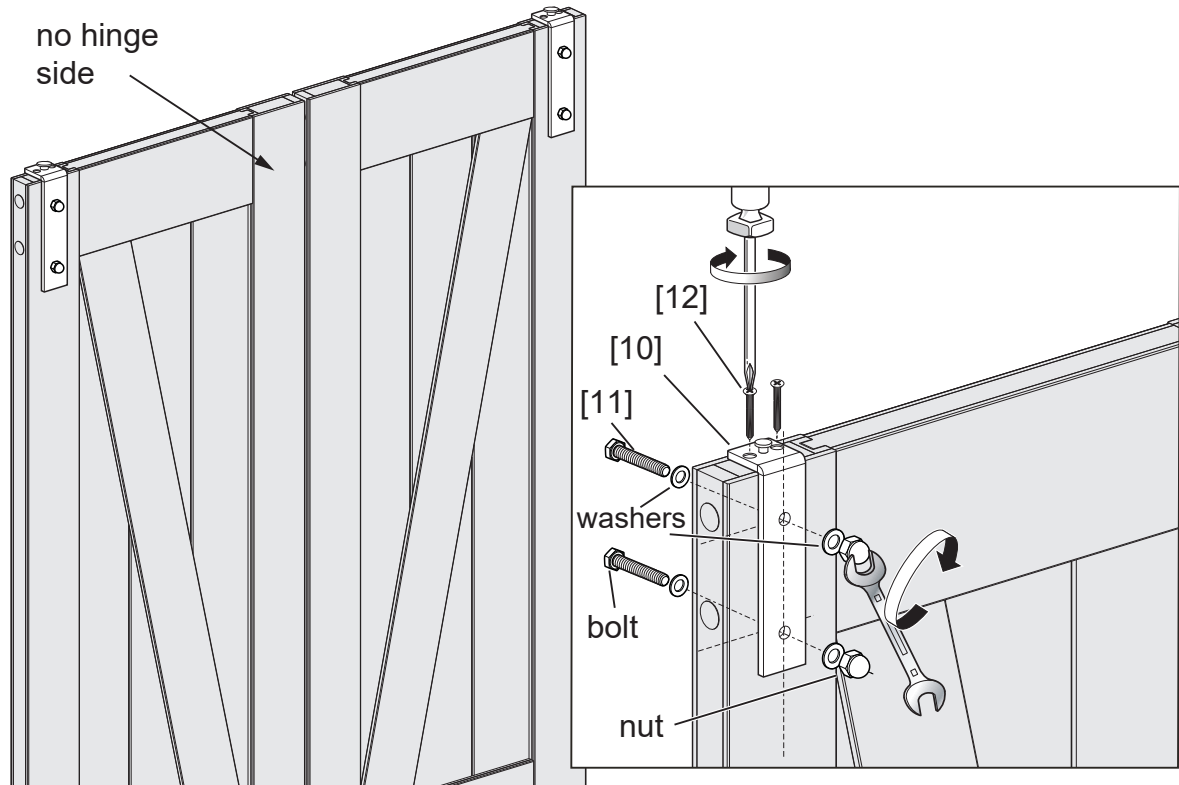


Fig 10

Step 11

Hang the **Fixed Roller [05]** to the **Track [03]** on the left side for the door sliding to the left. Otherwise, hang it to the right.

Hang the **Moveable Roller [04]** to the other side.

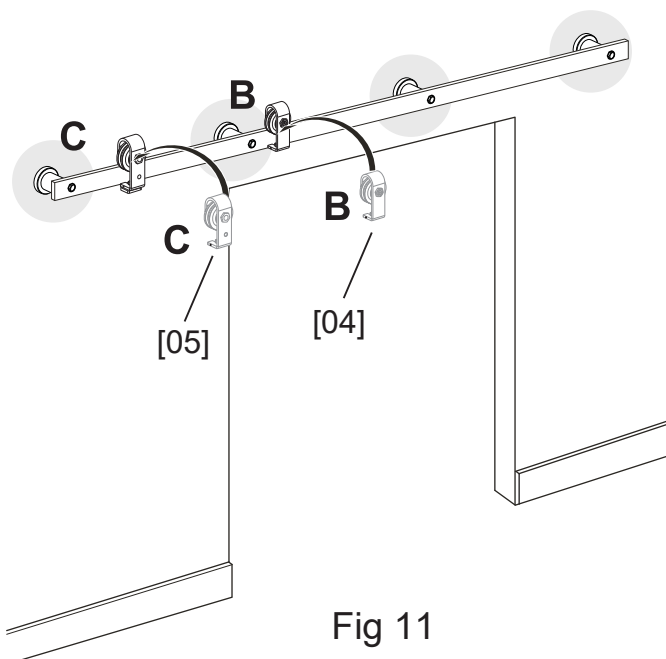


Fig 11

Step 12

1. Measure **1.88"** from the wall and position the **Shaft [18]** close to one side of the opening. The longer edge of it parallel to the wall. The shorter edge of it align with the side of the opening. (Fig 12)

Note: Place the **Shaft [18]** on the left or right of opening as intended.

Make sure the center of **Shaft [18]** is 1.18" away from the near **Spacer [01]**.

2. Mark the screw holes through the **Shaft [18]**. Remove it and drill the holes at the screw locations in 1.37" deep using a 5/16" drill bit. (Fig 12.1)
3. Insert the **5/16" Anchors [20]**. (Fig 12.1)
4. Secure the **Shaft [18]** with **#8 Screws [19]**. (Fig 12.1)

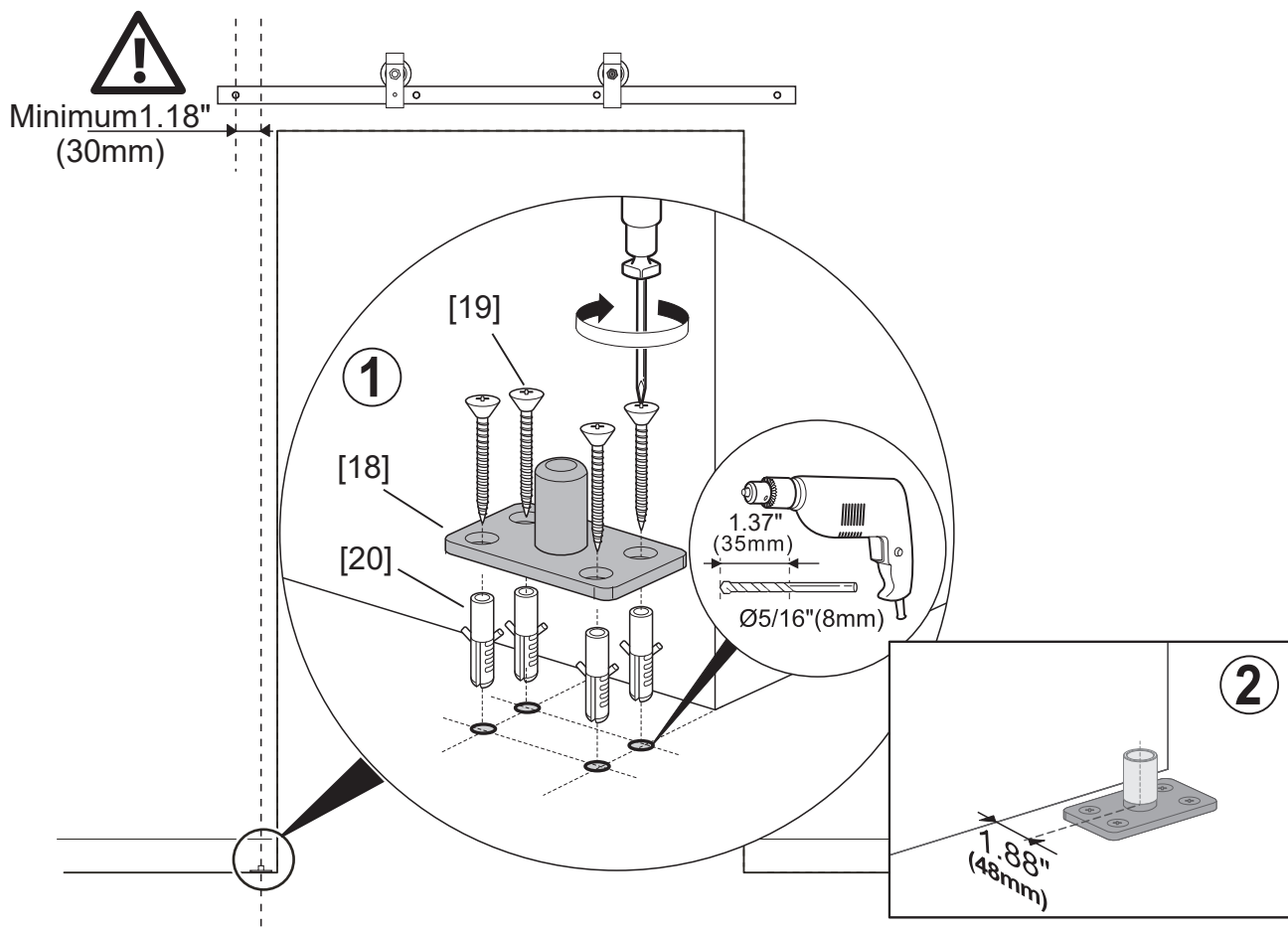


Fig 12

Step 13

1. Loose the screws of **Fixed Roller [05]** and **Moveable Roller [04]** as figure shows. (Fig 13.1, Fig 13.4)
2. Install the door assembly to the **Shaft [18]** and hang it to the hooks of the rollers. Push the **hangers** to the **slots** of the **hooks**. (Fig 13.2, Fig 13.5)
3. Secure the hangers by tighten the screws of **Fixed Roller [05]** and **Moveable Roller [04]** as figure shows. (Fig 13.3, Fig 13.6)

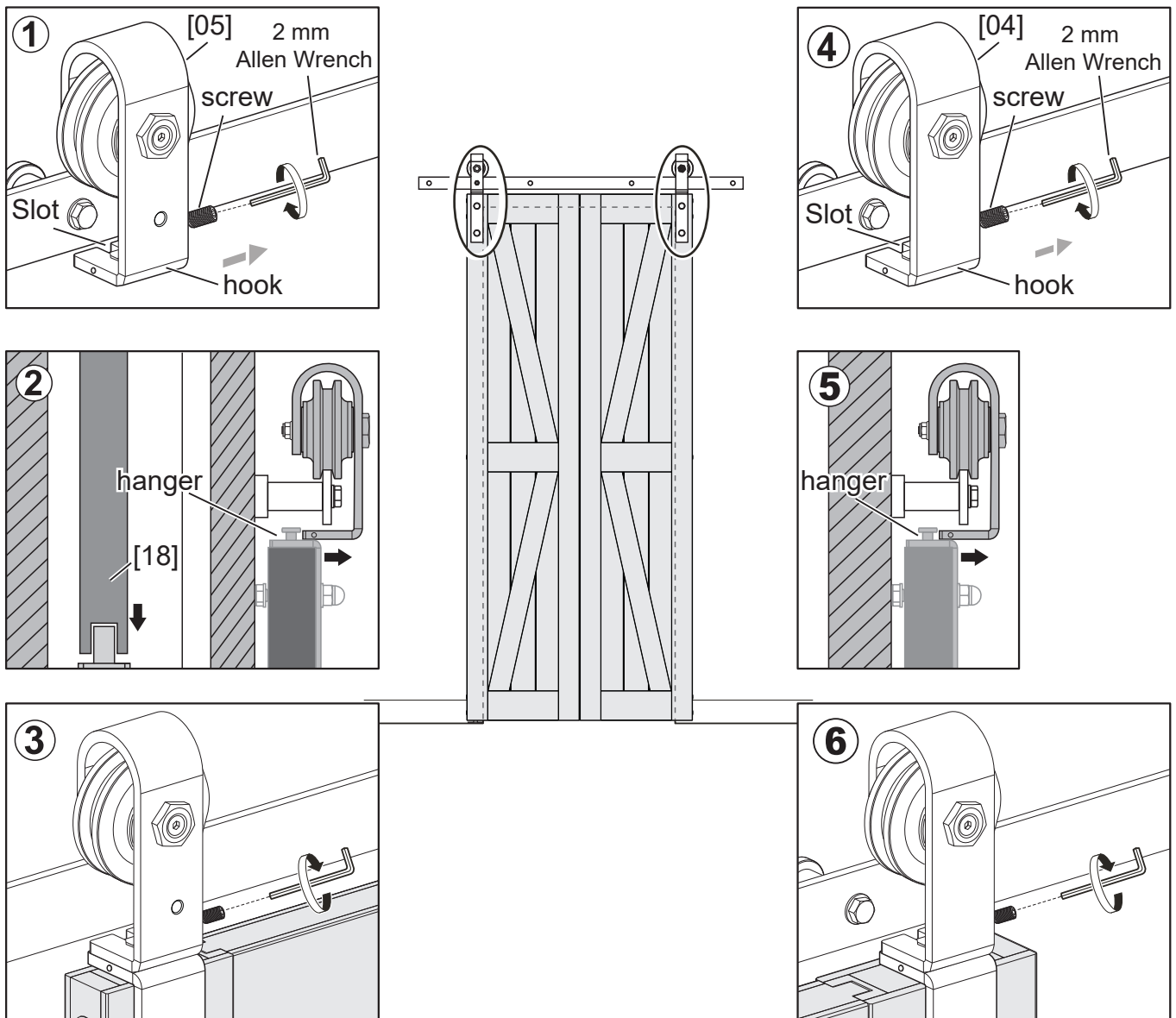


Fig 13

Step 14

1. Use a matching **Allen Wrench [02]** to hold the screw of **Moveable Roller [04]** and loose the nut by turning it counter-clockwise as figure shows.
2. Turning the screw to adjust the position of the door. Hold the screw of **Moveable Roller [04]** and tighten the nut by turning it clockwise.

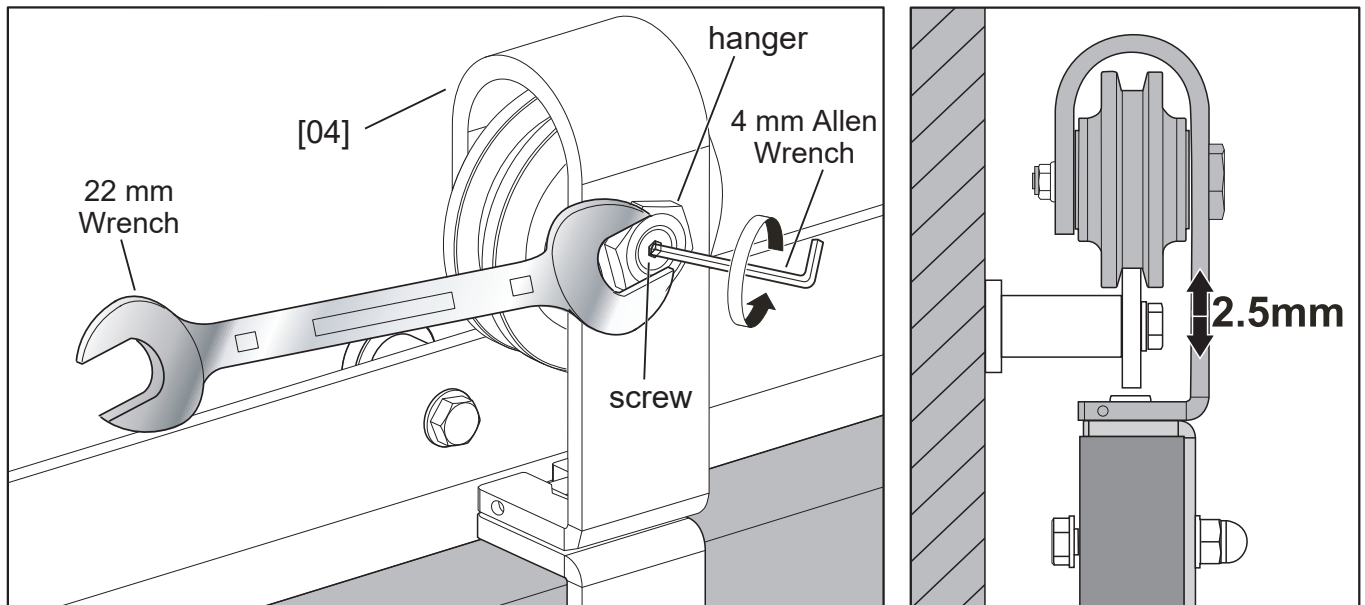


Fig 14

Step 15

1. Install the **Hex Screw [09]** to the **Fixator [08]** and slide to the position between the **Fixed Roller [05]** and **Track [03]** as figure shows. (Fig 15.1)
2. Install the **Hex Bolt [07]** to the **Fixed Roller [05]** and run through the center hole of **Fixator [08]** until it stop. Do not over tighten. (Fig 15.2)
3. Install the **Nut [06]** and secure it by 16mm Wrench. (Fig 15.3)
4. Tighten the **Hex Screw [09]** of the **Fixator [08]** by Allen Wrench to secure. (Fig 15.1)

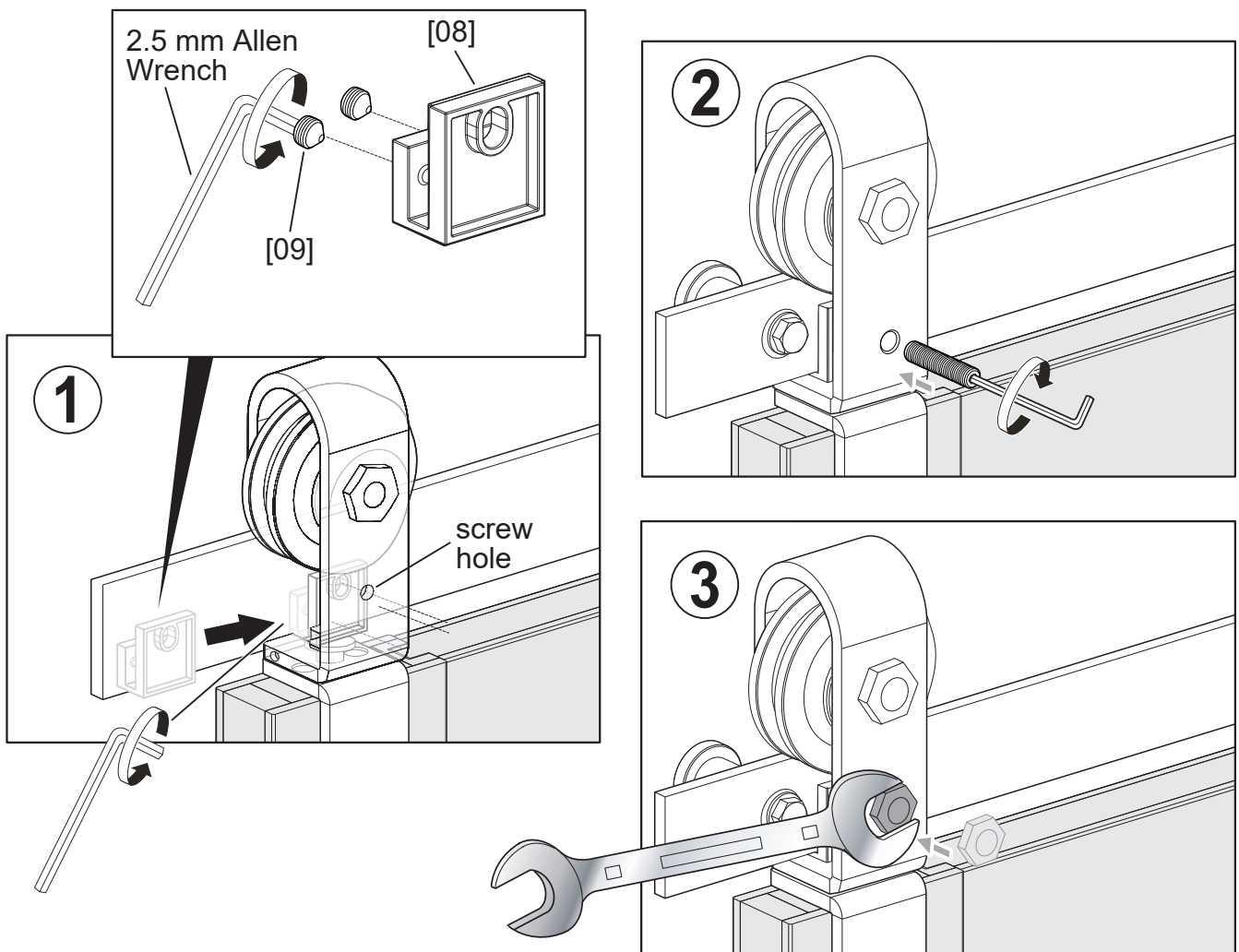


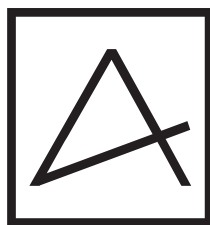
Fig 15

Care & Maintenance

For daily maintenance, use a wet cloth and a soft liquid cleaner.

Never use abrasive cleaners containing acetone, chlorine or strong bleach, scrapers, metallic brushes, nor other objects or products which can scratch or tarnish surfaces.

Check the bolts every 3 months and re-tighten them if necessary.



ANZZI®