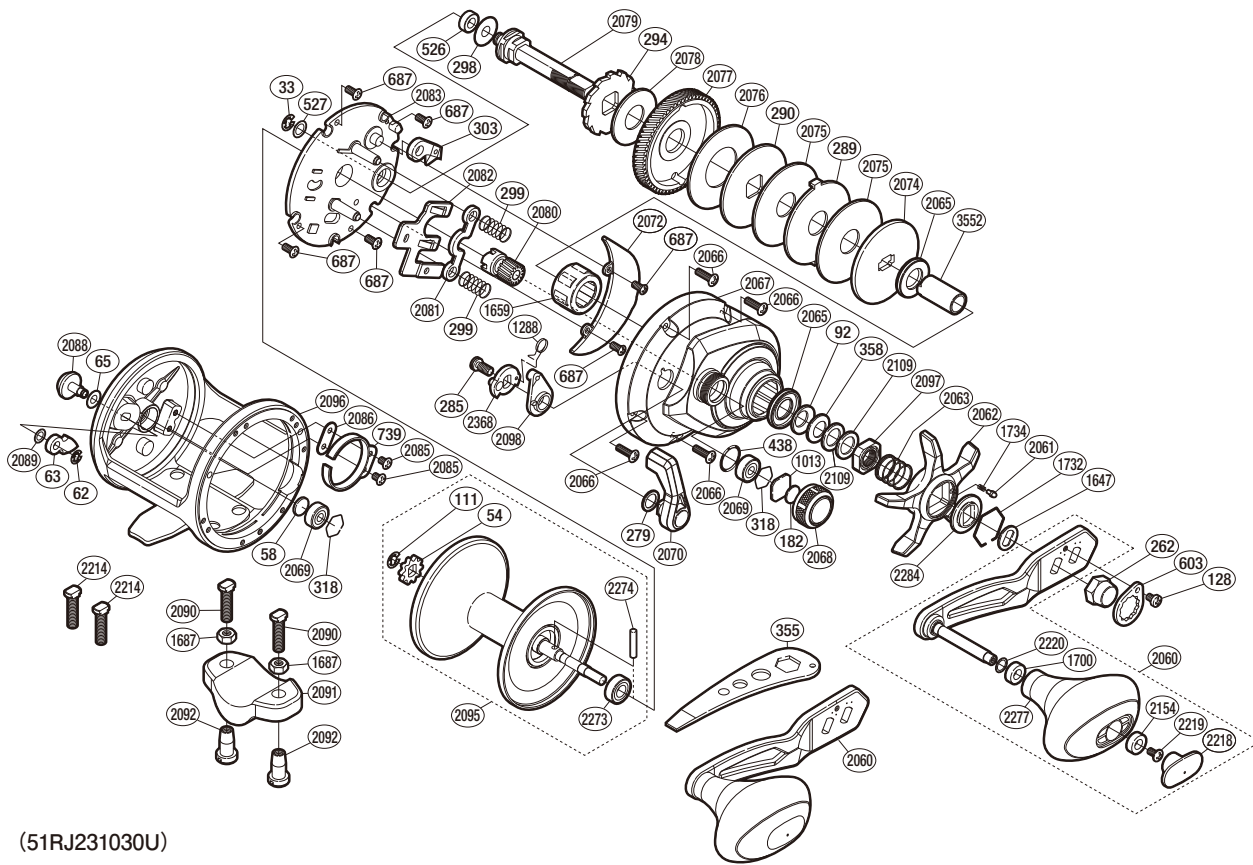


SHIMANO TORIUM

TOR-30HGA



(51RJ231030U)

#	Part No.	Description	#	Part No.	Description	#	Part No.	Description
33	105NG	Drive Shaft Retainer	1659	10F37	Roller Clutch Bearing	2089	10GHP	Washer
54	104EX	Click Gear	1700	104UJ	Handle Knob Bushing B	2095	10EPK	Spool Assembly
58	10GEU	Spacer B	1732	10KXV	Click Plate Retainer	2096	10KGN	One-Piece Frame
62	105NK	E Lock	1734	10BT2	Click Spring	2097	10A3X	Star Drag Nut
63	10GQQ	Click Pawl	2060	103XE	Handle Assembly	2098	10L2A	Eccentric Cam Bushing
65	104H2	Washer	2061	10MFC	Click Pin (B)	2109	10J1P	Star Drag Spacer
92	1052E	Coned Disc Spring (8h)	2062	106YK	Star Drag	2125	109F6	Washer
111	105NJ	E Lock	2063	10A70	Star Drag Spring	2154	10EU0	Handle Knob Bushing A
182	105N0	Cast Control Spacer	2065	10C69	Roller Clutch Water Proof	2218	106K0	Handle Knob Seal
262	10FT1	Handle Nut	2066	10M2U	Screw	2219	10LFA	Screw
279	10JYS	Smoother	2067	10848	Right Side Plate Assembly	2220	10HEP	Washer
285	10F8M	Screw	2068	10JWV	Cast Control Cap	2273	108PE	Ball Bearing
289	10LBD	Eared Washer (E)	2069	10KAF	Ball Bearing	2274	10MGR	Spool Clutch Pin
290	10L4Z	Key Washer (C)	2070	10L08	Clutch Lever	2277	105ZD	Handle Knob
294	10D9M	Anti-Reverse Ratchet	2072	10QCH	Set Plate Sticker	2284	10J26	Star Drag Click Plate
298	10588	Washer	2074	10D53	Key Washer	2287	10LLU	Screw
299	104BY	Yoke Spring	2075	10LB5	Drag Washer D	2368	10RRE	Clutch Cam Assembly
303	10MWB	Anti-Reverse Pawl	2076	10D3G	Drag Washer B	3552	10DH4	Roller Clutch Inner Tube
318	10GGM	Bearing Retainer	2077	10QRA	Drive Gear			
358	10EW3	Coned Disc Spring (8l)	2078	10CM0	Drag Washer A	1687	10HGH	Rod Clamp Nut B (Accessory)
438	108WK	O Ring	2079	10D6U	Drive Shaft	2090	10A9S	Rod Clamp Bolt (Accessory)
526	10BPW	Drive Shaft Bushing	2080	10AAG	Pinion Gear	2091	10AS5	Rod Clamp (Accessory)
603	10LMC	Handle Nut Plate	2081	10486	Yoke	2092	10JCF	Rod Clamp Nut A (Accessory)
687	103GP	Screw	2082	1048A	Yoke Plate	2214	10DMU	Rod Clamp Bolt (Accessory)
739	1046C	Click Spring	2083	10MU3	Right Side Plate Set			
1013	1085F	Spool Tension Spacer	2085	103L4	Screw			
1288	10JYV	Clutch Spring	2086	104ZA	Click Spring Washer			
1647	107QM	Drive Shaft Shield	2088	104H0	Click Button	355	10MJ2	Wrench (Accessory)

Please note that the number of adjusting washers may not be the same as shown in the exploded views.
(Adjustment will vary with each individual product.)

(230912)_014