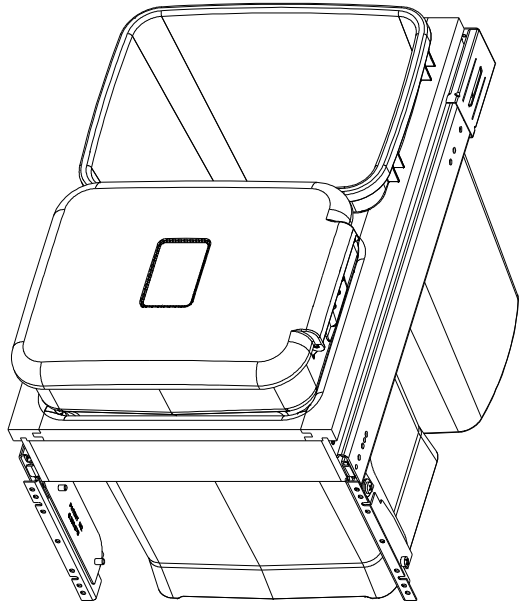


CUSTOMER DRAWING

This drawing is the property of Rev-A-Shelf (RAS) and is disclosed in confidence to the extent its subject matter is original to RAS. Any vendor receiving this drawing from RAS shall hold and use this drawing for the sole benefit of RAS and shall not disclose it to, or use or reproduce it for any third party, or perform any act adverse to the interest of RAS with respect to this drawing without the express written permission of RAS. Vendors shall not revise any physical, dimensional or performance characteristic unless authorized by Rev-A-Shelf Engineering.

REV.	DATE	BY	DESCRIPTION OF CHANGE

INCH [MM]	AMERICAN PROJECTION	BY	DATE	REV-A-SHELF [®] , Inc.
		DRAWN	KRR 8-5-19	
MATERIAL				DRAWING NO.
FINISH				4WCTM-18CKSCDM2
TOLERANCES				SCALE
MAT. DEC. (WOOD) .XX ±.03 [8mm] (OTHER) .XX ±.02 [5mm] (ALL) .XXX ±.005 [1.3 mm] FRACTIONS ±1/32 [8 mm]				0.200
ANGLES ±1/2°				PART NO.
				4WCTM-18CKSCDM2
				SHEET 1 OF 2



PART DIMENSIONS		
	MIN	MAX
WIDTH	15.00	
DEPTH	22.88	24.88
HEIGHT	19.84	
CONTAINER CAPACITY		
CONTAINER UOM		

MIN CABINET OPENING				
	FACE FRAME	FRAMELESS	INSET FACE FRAME	INSET FRAMELESS
WIDTH	15.00	15.00	15.00	15.00
DEPTH	22.88	22.88	23.63	23.63
HEIGHT	21.00	21.00	21.00	21.00

SLIDE SPECIFICATIONS				
SLIDE MANUFACTURER				
SLIDE PART NUMBER		RELEASE PART NUMBER		
SLIDE TYPE	BALL BEARING	SLIDE EXTENSION	1-1/2" OT	MAX WEIGHT RATING
SLIDE CLOSING	SOFT	SLIDE LENGTH	22" [560]	
SLIDE MOUNTING	SIDE	SLIDE FINISH	ZINC	150 LB

CUSTOMER DRAWING

This drawing is the property of Rev-A-Shelf (RAS) and is disclosed in confidence to the extent its subject matter is original to RAS. Any vendor receiving this drawing from RAS shall hold and use this drawing for the sole benefit of RAS and shall not disclose it to, or use or reproduce it for any third party, or perform any act adverse to the interest of RAS with respect to this drawing without the express written permission of RAS. Vendors shall not revise any physical, dimensional or performance characteristic unless authorized by Rev-A-Shelf Engineering.

REV.	DATE	BY	DESCRIPTION OF CHANGE

INCH [MM]	AMERICAN PROJECTION	BY	DATE	REV-A-SHELF, Inc.
		DRAWN	KRR 8-5-19	
MATERIAL				DRAWING NO.
FINISH				4WCTM-18CKSCDM2
TOLERANCES				SCALE
MAT. DEC. (WOOD) .XX ±.03 [.8mm] (OTHER) .XX ±.02 [.5mm] (ALL) .XX ±.005 [0.13 mm] FRACTIONS ±1/32 [.8 mm]				0.200
ANGLES ±1/2°				PART NO.
				4WCTM-18CKSCDM2
				SHEET 2 OF 2