

ITEM #84360

60" Ender TV Stand

Leick Home
SINCE 1910

2219 S. 19th St.

Sheboygan, WI 53081

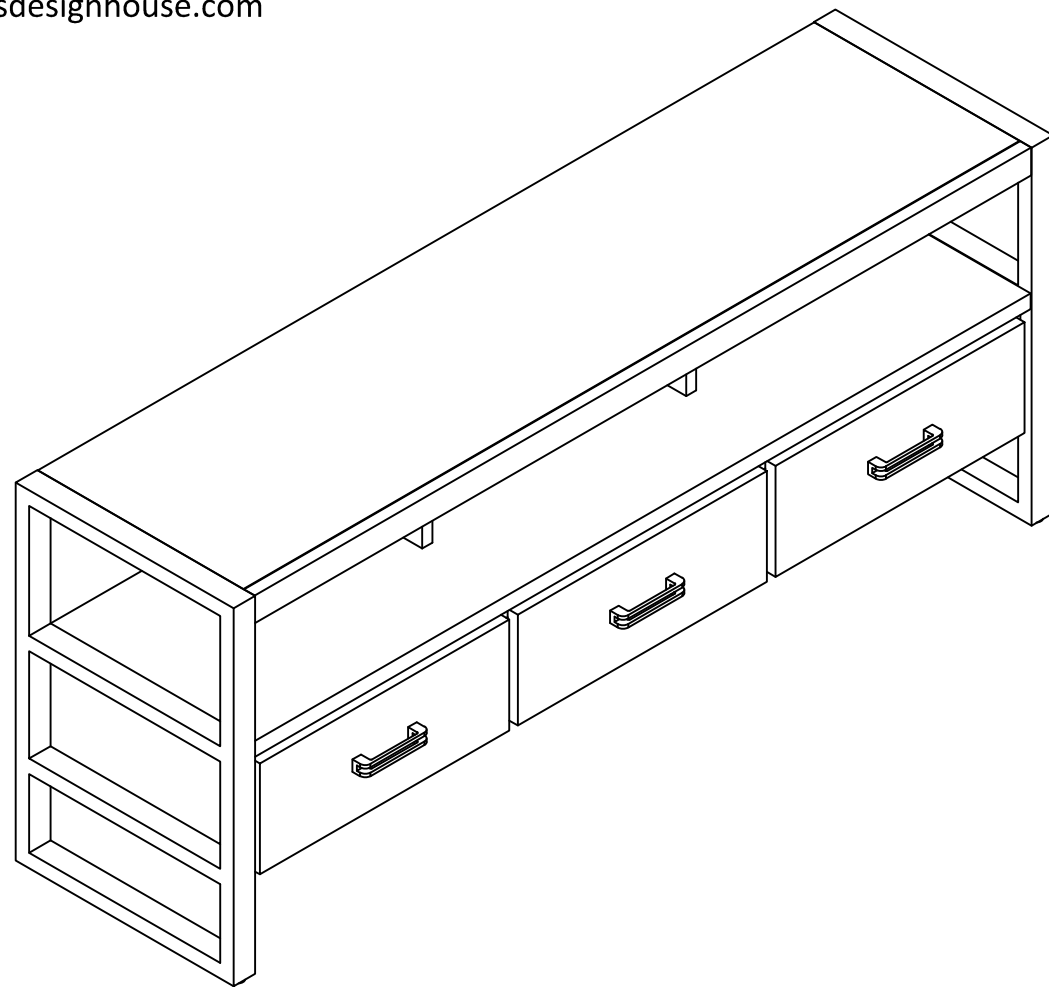
Ph: 800-558-8700

cs@todaysdesignhouse.com

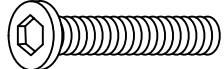
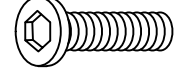
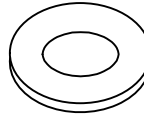

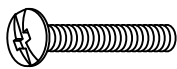
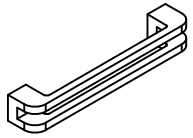
todaysdesignhouse.com

Note:

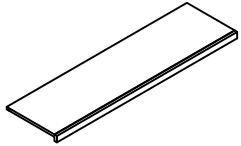
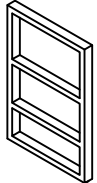
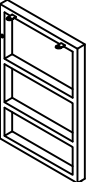
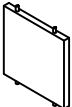
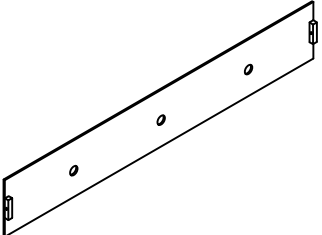
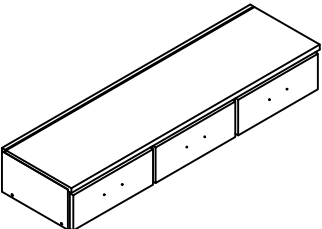
A packet with complete set of hardware can be found by pulling the red ribbon that's easily visible upon opening the box.



Hardware List

| Item | Hardware | Description | Quantity |
|------|---|--------------------------|----------|
| 1 |  | Long Bolt 1/4"x1-1/8" | 6PCS |
| 2 |  | Short Bolt 1/4"x1/2" | 4PCS |
| 3 |  | Flat Washer 1/4"x12mm | 10PCS |
| 4 |  | Allen Wrench | 1PC |
| 5 |  | Machine Screw M4x35mm | 6PCS |
| 6 |  | Drawer Pull | 3PCS |

Parts List

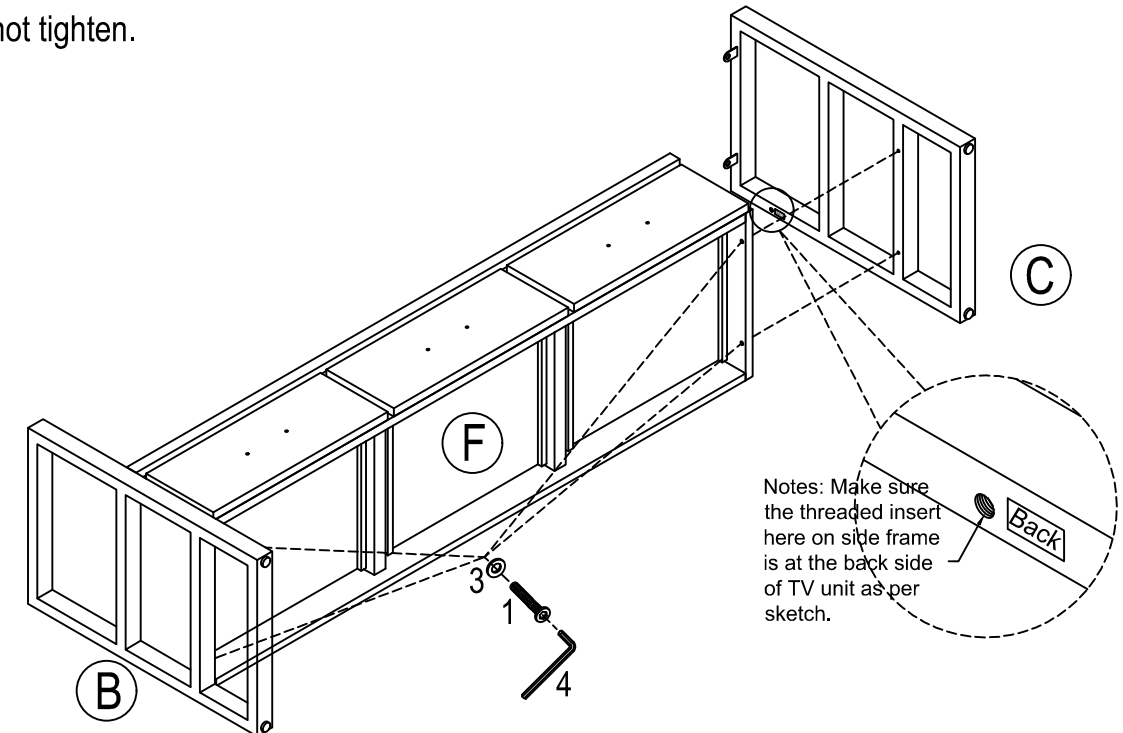
| Item | Parts | Description | Quantity |
|------|---|------------------|----------|
| A |  | Top Panel | 1PC |
| B |  | Left Side Frame | 1PC |
| C |  | Right Side Frame | 1PC |
| D |  | Center Partition | 2PCS |
| E |  | Back Panel | 1PC |
| F |  | Drawer Box | 1PC |
| | | | |

Assembly Steps

Two person assembly recommended.

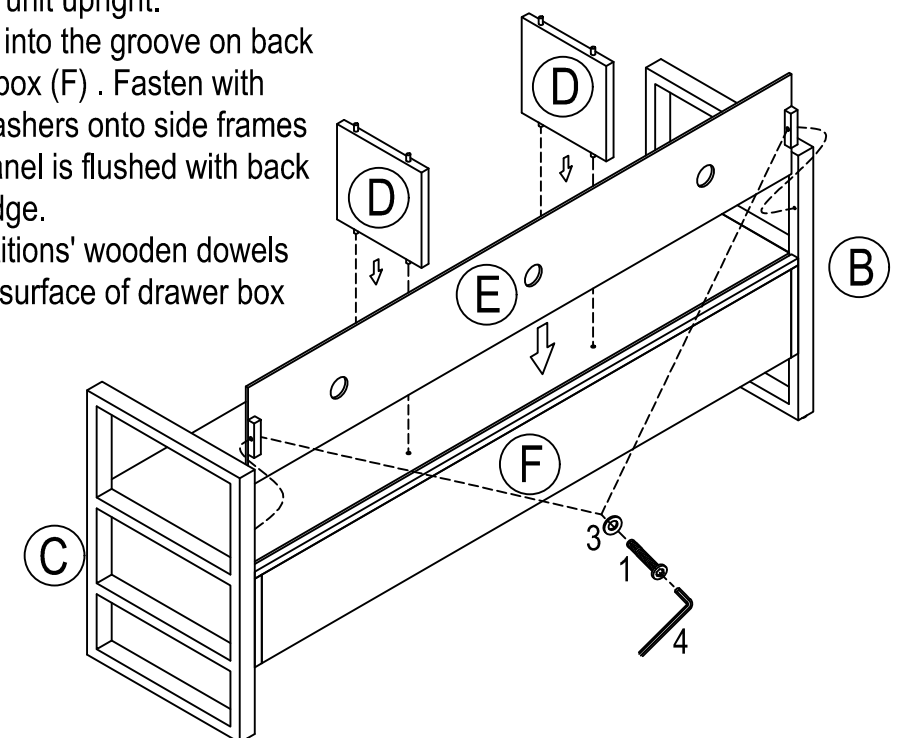
Step 1

- 1.1 Lay drawer box (F) on its back.
- 1.2 Fasten left and right side frames (B & C) to the drawer box with four long bolts and flat washers. Please make sure the threaded insert on each side frame faces to the back side of unit. Do not tighten.



Step 2

- 2.1 Place the assembled unit upright.
- 2.2 Insert back panel (E) into the groove on back upper surface of drawer box (F). Fasten with two long bolts and flat washers onto side frames while the front of back panel is flushed with back side frame posts' front edge.
- 2.3 Insert two center partitions' wooden dowels (D) onto holes at the top surface of drawer box (F).



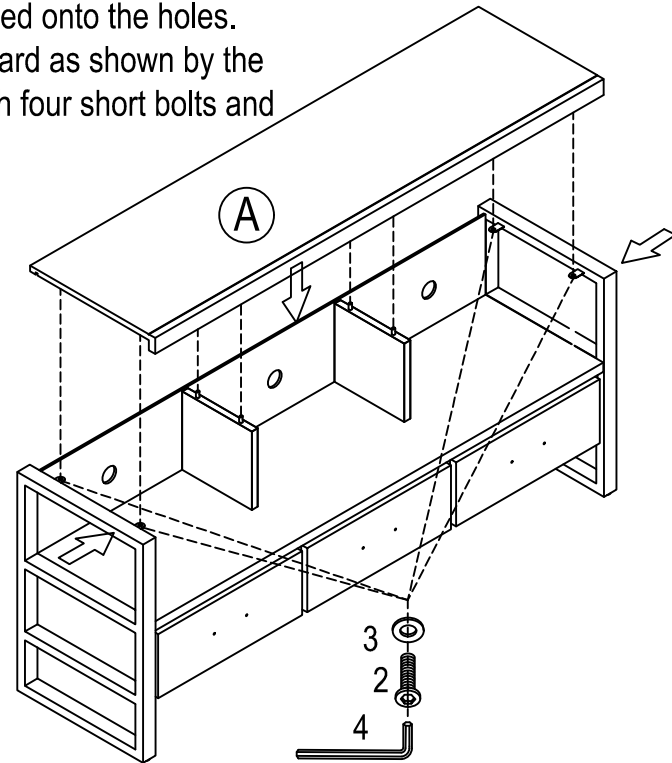
Assembly Steps

Two person assembly recommended.

Step 3

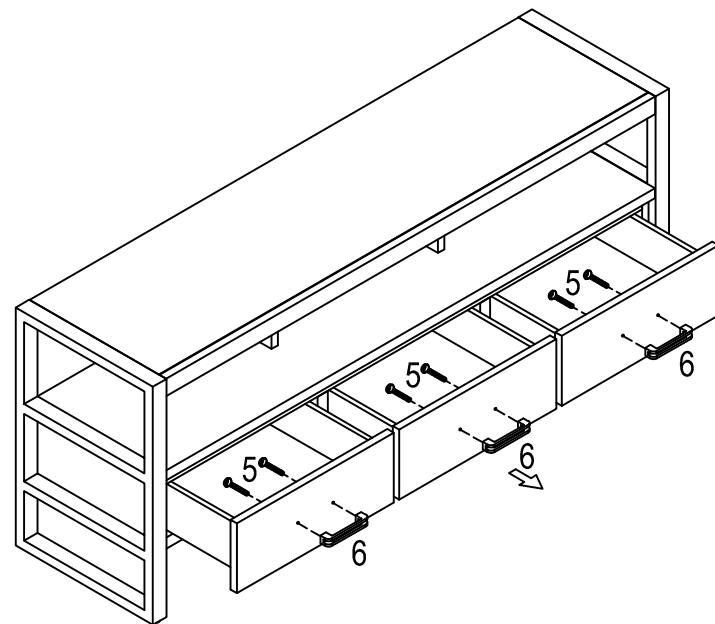
3.1 Place the top panel (A) on the assembled unit with all the partition's wood dowels fully inserted onto the holes.

3.2 Push side frame's upper edge inward as shown by the arrow and fasten the top panel (A) with four short bolts and flat washers. Tighten four short bolts.



Step 4

4.1 Open all three drawers from bottom with fingers and fasten the drawer pulls with machine screws.



Assembly Steps

Two person assembly recommended.

Step 5

5.1 Lay the TV unit on its back, tighten four bolts in step 1.2

5.2 Place the TV unit upright, adjust the levelers on the bottom of side frame if needed.

