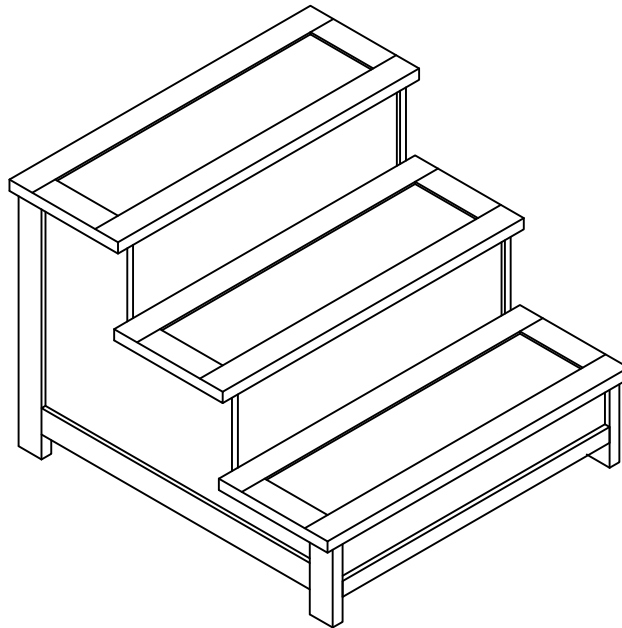


## Dog Step with storage open on side



Please provide the following information when contacting for parts or questions: the name of the company you purchased from, the UPS/FedEx tracking number.

This product comes with a 1 year warranty. Products purchased second hand/used are not covered under the warranty.

Emission Standard: TSCA Title VI

### ASSEMBLY INSTRUCTIONS-IMPORTANT

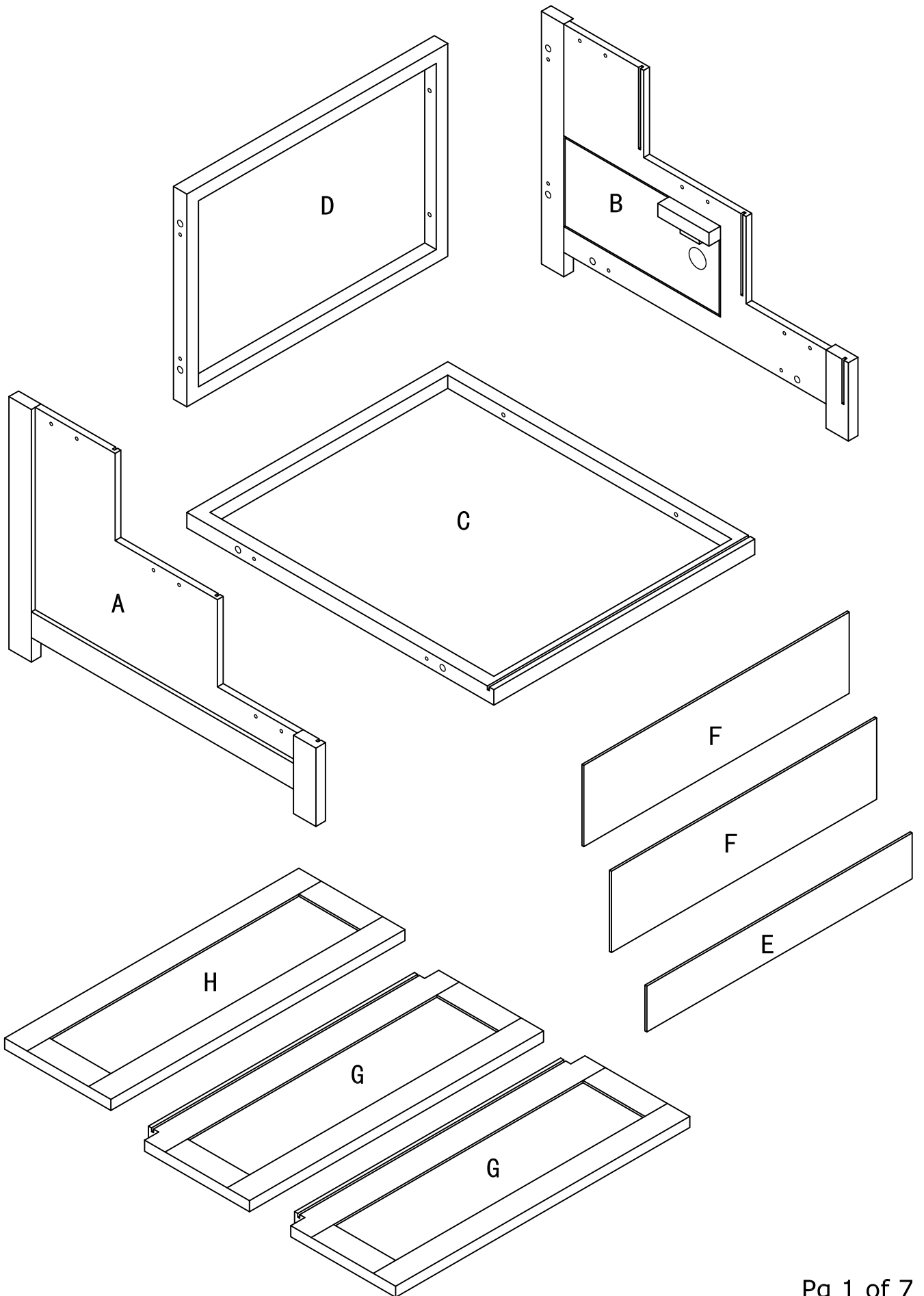
Carefully unpack & identify each component before attempting to assemble. Refer to parts list. Please take care when assembling the unit and always set the parts on a clean, soft surface. If you require any assistance with assembly, parts, please call the company you place order with or please email to: [service@eleganthf.net](mailto:service@eleganthf.net)

### INSTRUCCIONES PARA ARMAR-IMPORANT:

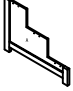

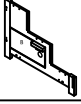
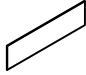

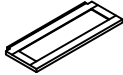
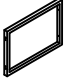
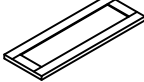
Desempaque cuidadosamente e identifique cada componente antes de tartar de empezar su ensambladura. Verifique la lista de partes. Por favor tenga cuidado cuando arme la unidad y siempre coloque las piezas sobre una superficie plana, suave y limpia. Si necesita ayuda con el armado, envíe un correo electzórico a [service@eleganthf.net](mailto:service@eleganthf.net)

### DIRECTIVES DE MONTAGE-IMPORTANT:


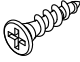
Avant de commencer l' assemblage, déballez délicatement toutes les pièces et repérez-les sur la liste des pièces. Procédez avec soins durant l' assemblage et posez toujours les pièces sur une surface proper, douce et lisse. sie vouo plait e-mail á [service@eleganthf.net](mailto:service@eleganthf.net)



# COMPONENTS

PART	FIGURE	DESCRIPTION	QTY	PART	FIGURE	DESCRIPTION	QTY
A		LEFT SIDE PANEL	1PC	E		RISER	1PC
B		RIGHT SIDE PANEL	1PC	F		RISER	2PCS
C		BOTTOM PANEL	1PC	G		BOARDSTEP	2PCS
D		BACK PANEL	1PC	H		BOARDSTEP	1PC

# HARDWARE & TOOLS

PART	FIGURE	DESCRIPTION	QTY	PART	FIGURE	DESCRIPTION	QTY
1	 ø8*20	WOODEN DOWEL	8PCS	2	 ø4*25	SCREW	20PCS

## TOOL NEEDED:



**PHILIPS SCREWDRIVER REQUIRED  
- NOT INCLUDED**

## SUGGESTION:



**TWO PEOPLE FOR ASSEMBLING**



## WARNINGS:

1. DO NOT LET ANY SHARP OBJECTS TOUCH OR RUB THE SURFACE OF THE PRODUCT.
2. WHEN ASSEMBLING, DO NOT LET CHILDREN PLAY AROUND THE WORKING AREA.
3. PLEASE CONFIRM ALL PARTS ARE CORRECT BEFORE STARTING THE ASSEMBLY PROCESS.
4. DO NOT TIGHTEN ALL BOLTS AND SCREWS COMPLETELY UNTIL THE ENTIRE UNIT HAS BEEN ASSEMBLED AND SET UP.

# 1

1

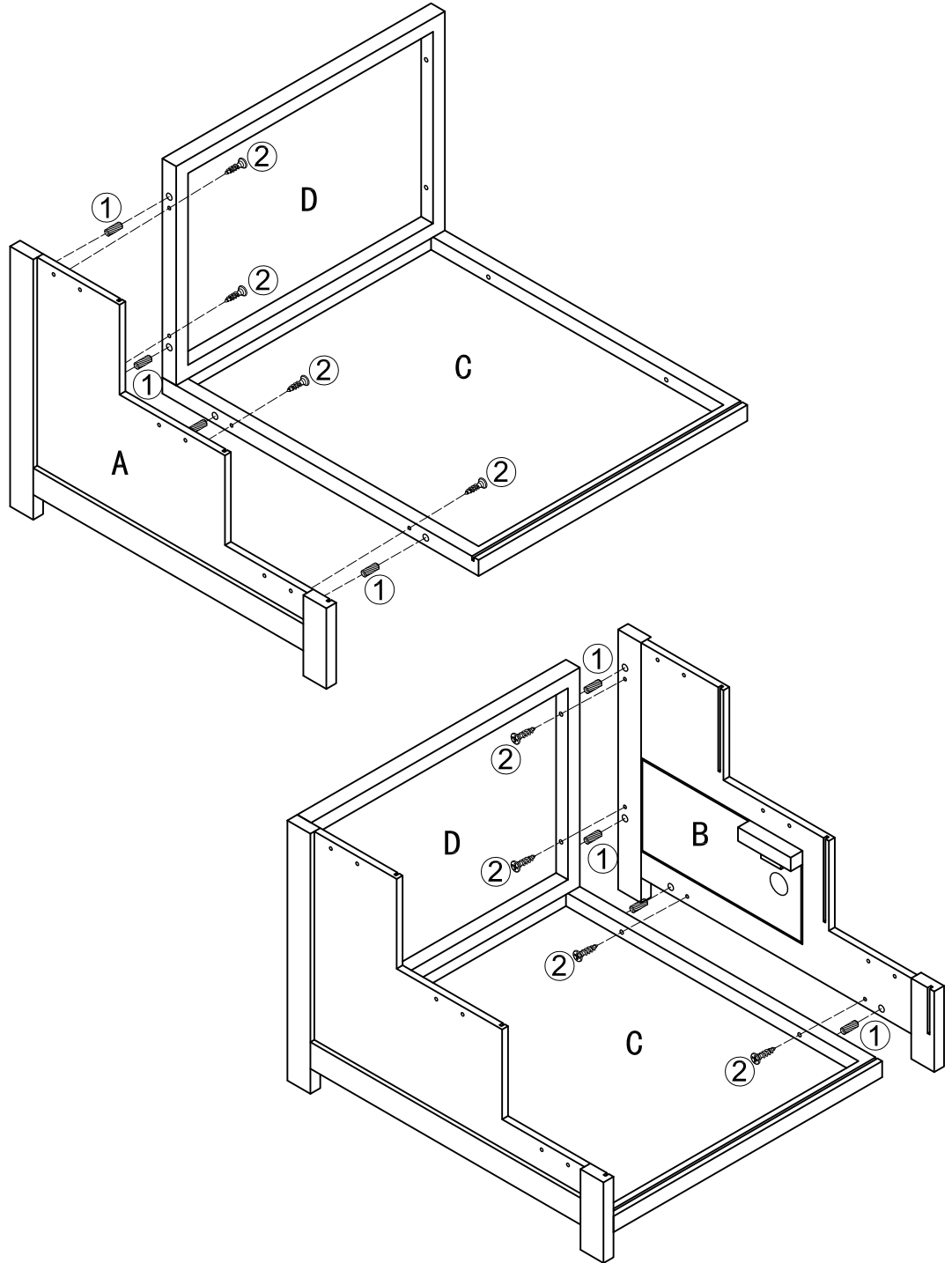


8 PCS  $\varnothing 8 \times 20$

2



8 PCS  $\varnothing 4 \times 25$



## STEP 1:

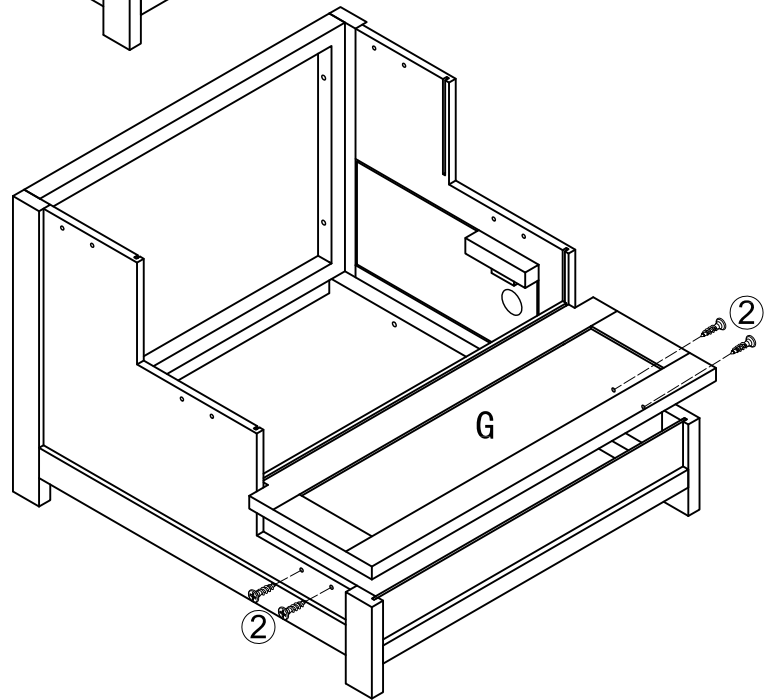
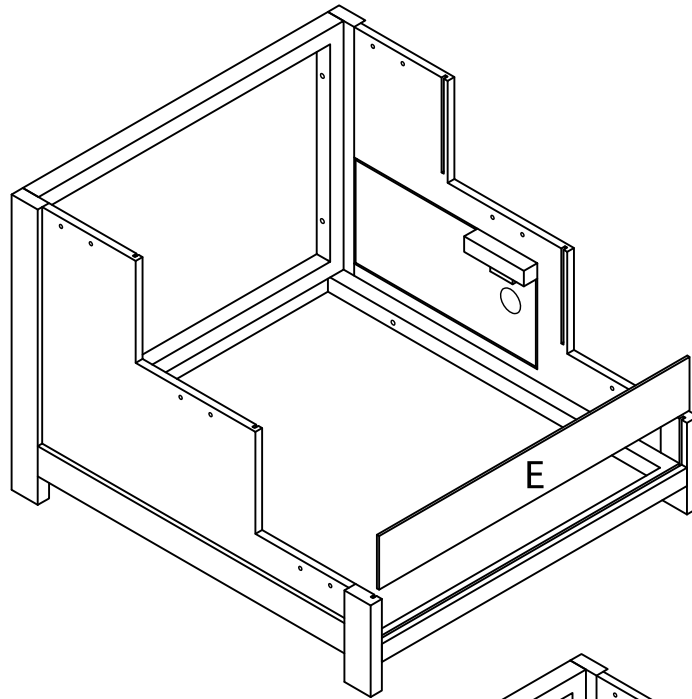
1. Attach part C & D to panel A with dowels (1) and screws (2).
2. Attach panel B to part C & D with dowels (1) and screws (2).

# 2

2



4 PCS  $\phi 4 \times 25$



**STEP 2:**

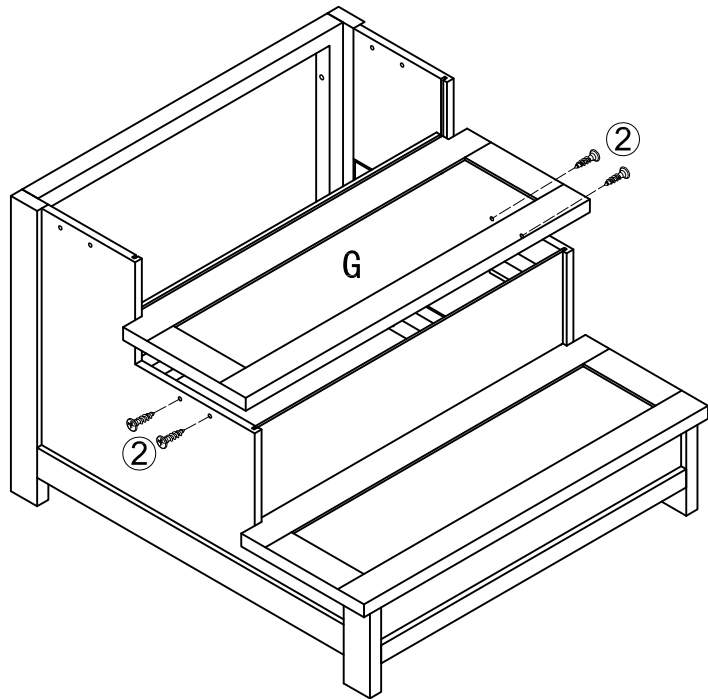
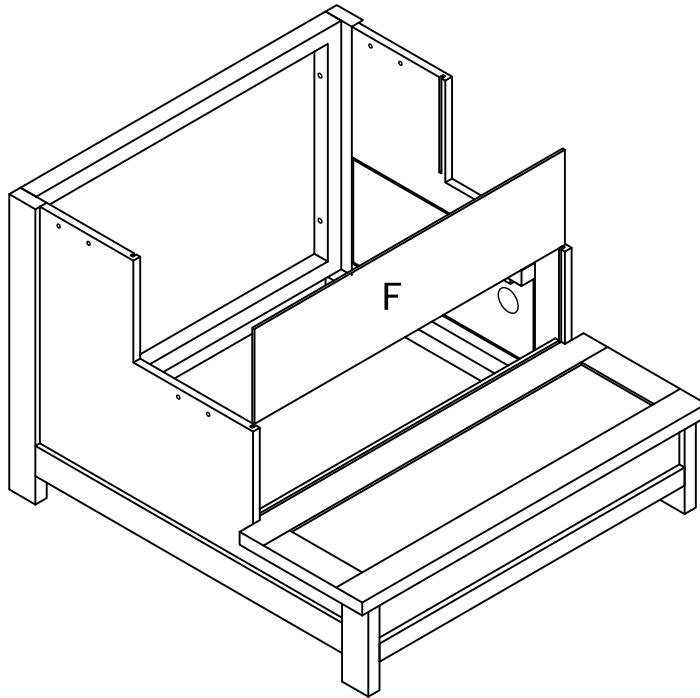
- 1. Insert part E to the groove of part C as indicated.**
- 2. Attach part G to the top of part E with screws (2).**

# 3

2



4 PCS  $\phi 4 \times 25$



**STEP 3:**

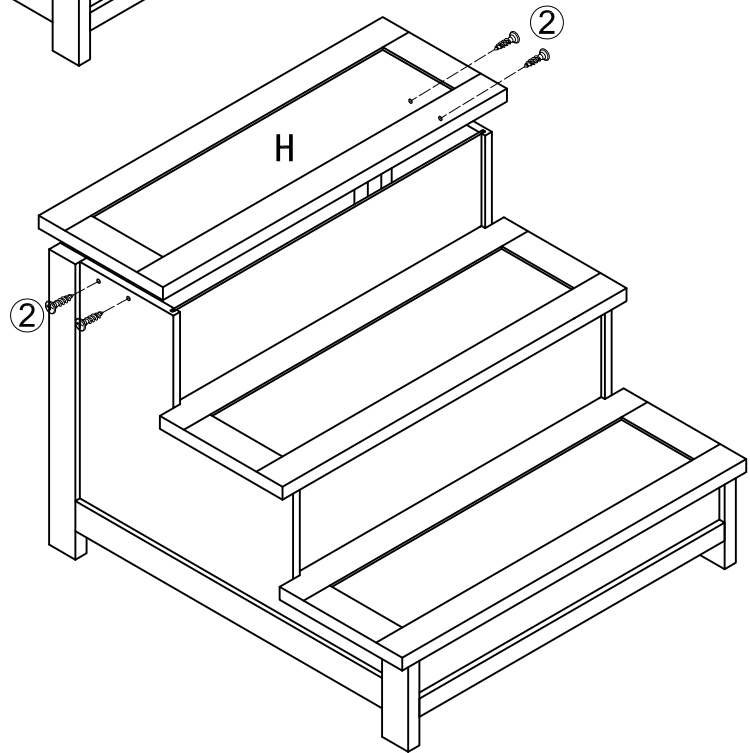
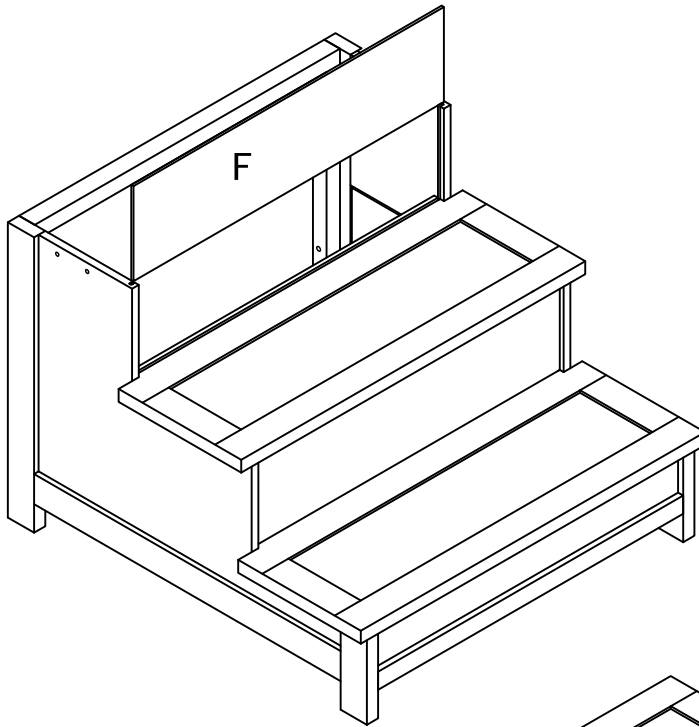
- 1. Insert part F to the groove of part G as indicated.**
- 2. Attach part G to the top of part F with screws (2).**

4

2



4 PCS  $\phi 4 \times 25$



**STEP 4:**

- 1. Insert part F to the groove of part G as indicated.**
- 2. Attach part H to the top of part F with screws (2).**