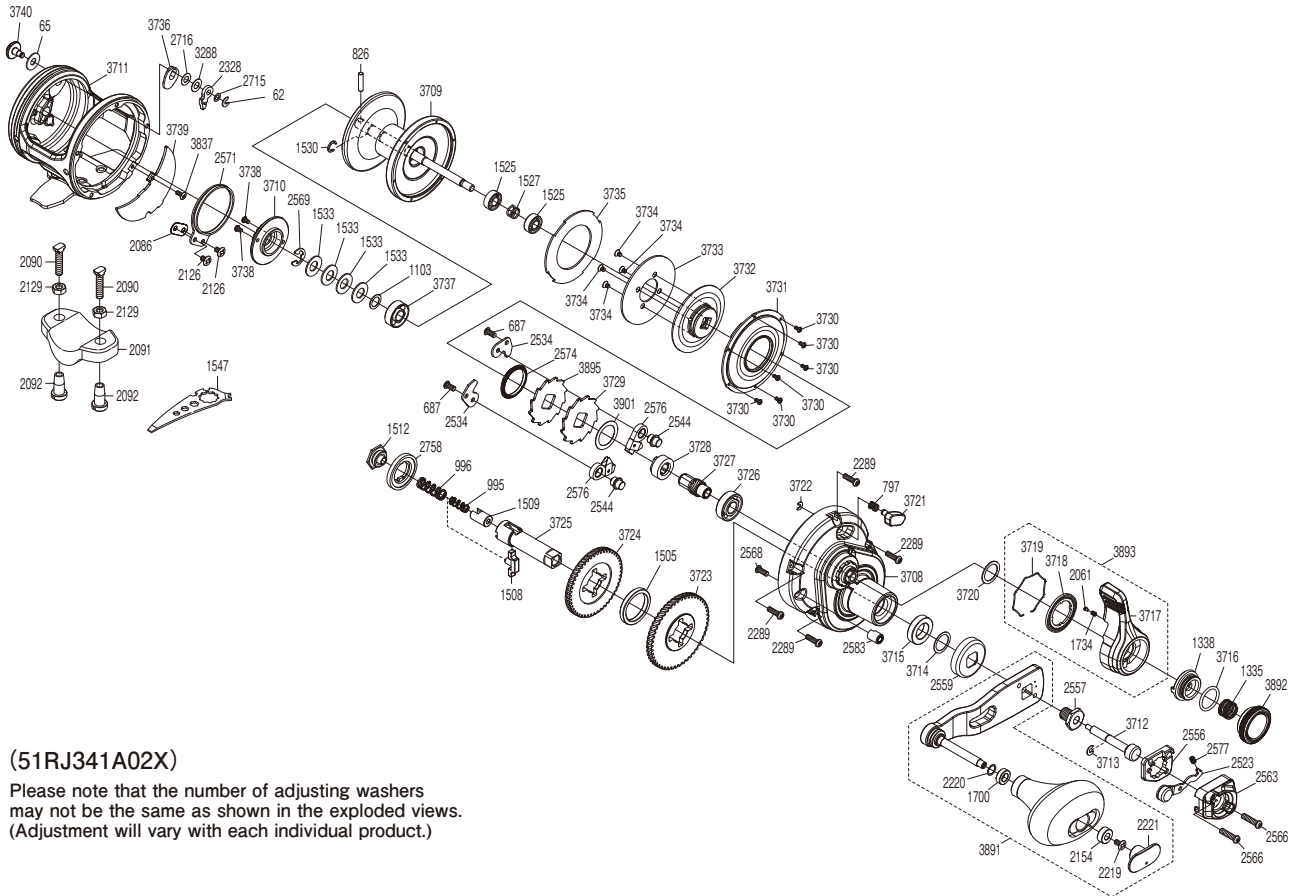


SHIMANO

SpeedMaster

SPM8II



(51RJ341A02X)

Please note that the number of adjusting washers may not be the same as shown in the exploded views. (Adjustment will vary with each individual product.)

Part No.	Description	Part No.	Description	Part No.	Description
TGT0062	E Lock	TGT2556	Handle Nut Plate	TGT3724	Drive Gear B
TGT0065	Washer	TGT2557	Handle Bolt	TGT3725	Drive Shaft
TGT0687	Screw	TGT2559	Drive Shaft Shield	TGT3726	Ball Bearing
TGT0797	Pressure Spring	TGT2563	Push Button Shield	TGT3727	Pinion Gear A
TGT0826	Cross Pin	TGT2566	Screw	TGT3728	Pinion Gear B
TGT0995	Drive Shaft Spring B	TGT2568	Screw	TGT3729	Anti Reverse Ratchet
TGT0996	Drive Shaft Spring	TGT2569	E Lock	TGT3730	Screw
TGT1103	Washer	TGT2571	Click Spring	TGT3731	Cooling Shield
TGT1335	Dial Spring	TGT2574	Waterproof Ring	TGT3732	Pinion Guard
TGT1338	Lever Shaft Body	TGT2576	Anti Reverse Pawl	TGT3733	Drag Plate
TGT1505	Drive Gear Washer C	TGT2577	Slide Plate Spring	TGT3734	Screw
TGT1508	Gear Select Cross Bar	TGT2583	Bolt Shield	TGT3735	Drag Washer
TGT1509	Cross Bar Stop	TGT2715	Washer	TGT3736	Click Switch Cam
TGT1512	Drive Shaft Screw	TGT2716	Washer	TGT3737	Ball Bearing
TGT1525	Ball Bearing	TGT2758	Drive Gear Washer A	TGT3738	Screw
TGT1527	Pressure Release Spring	TGT3288	Washer	TGT3739	Set Plate Sticker
TGT1530	C Lock	TGT3708	Right Side Plate Assembly	TGT3740	Click Button
TGT1533	Coned Disc Spring	TGT3709	Spool Assembly	TGT3837	Screw
TGT1700	Bushing	TGT3710	Click Gear Assembly	TGT3891	Handle Assembly
TGT1734	Click Spring	TGT3711	Frame Assembly	TGT3892	Pre-Program Dial Assembly
TGT2061	Lever Click	TGT3712	Push Low Button Shaft	TGT3893	Drag Control Lever Assembly
TGT2086	Click Spring Washer	TGT3713	E Lock	TGT3895	Anti Reverse Ratchet
TGT2126	Screw	TGT3714	Washer	TGT3901	Washer
TGT2154	Bushing	TGT3715	Drive Gear Bush		
TGT2219	Screw	TGT3716	O Ring	TGT2090	Rod Clamp Bolt (Accessory)
TGT2220	Washer	TGT3717	Drag Control Lever	TGT2129	Rod Clamp Nut B (Accessory)
TGT2221	Handle Knob Seal	TGT3718	Click Plate	TGT2091	Rod Clamp (Accessory)
TGT2289	Screw	TGT3719	Click Plate Retainer	TGT2092	Rod Clamp Nut A (Accessory)
TGT2328	Click Pawl	TGT3720	Lever Thrust Washer		
TGT2523	Slide Plate	TGT3721	Strike Stop		
TGT2534	Anti Reverse Pawl Keeper	TGT3722	E Lock		
TGT2544	Anti Reverse Pawl Pin	TGT3723	Drive Gear A	TGT1547	Wrench