

Assembly Guide

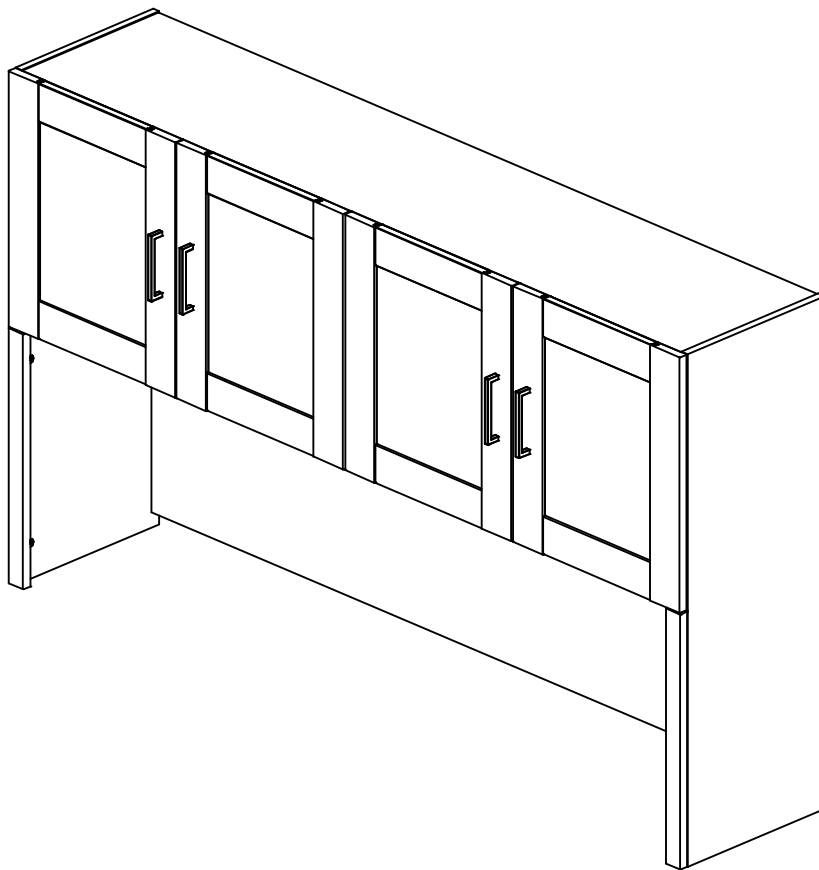


If you're having any difficulty during assembly of this product, don't hesitate to call us at **1-800-950-4782.**

Our customer service experts are trained to provide step-by-step instruction and can easily replace any missing or damaged parts.

Representatives are available Monday-Friday from 8:30 a.m. to 7:30 p.m. (ET)

72W Hutch



Lot Code #

Instruction Sheet Number A215587

Keep manual for future reference.

IMPORTANT SAFETY INFORMATION



PLEASE READ WARNINGS

Improper use can cause safety hazards, or damage to your furniture and household items.

| Warning | Do | Don't | Why it's important |
|----------------------------------|---|---|---|
| Serious injury may occur. | <ul style="list-style-type: none">Assemble following all instructions using all indicated parts and hardware provided.Attach hutch as described in the instructions.Verify furniture is stable on it's own. | <ul style="list-style-type: none">Do not move unit when loaded.Do not load with a television or other heavy equipment.Do not exceed the maximum load limits stated in the instructions.Do not allow children to climb, or hang on furniture. | Restricted or insufficient airflow may result in electronic equipment overheating and damage. |

| Advertencia | Hacer | No | Por qué es importante |
|---|--|---|---|
| Pueden producirse lesiones graves. | <ul style="list-style-type: none">Realice el montaje siguiendo todas las instrucciones y utilizando todas las piezas indicadas y los herrajes suministrados.Fije la conejera como se describe en las instrucciones.Compruebe que el mueble sea estable por sí mismo. | <ul style="list-style-type: none">No mueva la unidad cuando esté cargada.No cargue el mueble con un televisor u otro equipo pesado.No supere los límites máximos de carga indicados en las instrucciones.No permita que los niños trepen o se cuelguen de los muebles. | Un flujo de aire restringido o insuficiente puede provocar un sobrecalentamiento y daños en los equipos electrónicos. |

IMPORTANT SAFETY INFORMATION



PLEASE READ WARNINGS

Improper use can cause safety hazards, or damage to your furniture and household items.

| Avertissement | À faire | À ne pas faire | Pourquoi c'est important |
|---|---|--|--|
| Peut entraîner des blessures graves. | <ul style="list-style-type: none">• Assembler en suivant toutes les instructions et en utilisant toutes les pièces et la quincaillerie incluses.• Fixez la huche conformément aux instructions.• Assurez-vous que le meuble soit stable par lui-même. | <ul style="list-style-type: none">• Ne pas déplacer le meuble lorsqu'il est chargé.• Ne pas charger le meuble avec un téléviseur ou tout autre équipement lourd.• Ne pas dépasser les limites de poids maximales indiquées dans les instructions.• Ne pas laisser les enfants grimper ou s'accrocher aux meubles. | Une circulation d'air restreinte ou insuffisante peut entraîner une surchauffe de l'équipement électronique et l'endommager. |

For best results, keep these tips in mind:

- ① We know you want to finish this assembly as quickly as possible, but trust us: you'll have a better experience if you take it one step at a time.
- ② Give yourself some room to work near where you want the fully assembled product.
- ③ If your floor isn't carpeted, assemble this product on the empty carton to avoid scratching.
- ④ Do you have a friend who owes you a favor? Some steps may go a little easier with a second set of hands.

DOs

- ✔ Use a #2 Phillips head screwdriver (or other handheld tools as indicated)
- ✔ Wear safety glasses at all times during assembly
- ✔ Carefully follow the instructions in this guide and complete all steps in order
- ✔ Give us a call if you're having trouble with a particularly tricky step

DON'Ts

- ✘ We know power tools are quick and easy, but you shouldn't use them when assembling this product (unless otherwise specified)
- ✘ Never move your furniture with items inside or resting on the surface
- ✘ Do not attempt to use this product before all steps have been completed

Watch assembly videos right on your phone or computer!



Some steps include QR codes that link to helpful videos. Watch out for the icon below! Simply open up your smartphone camera to scan the code.

(Users of older smartphones may need to install a QR Reader.)

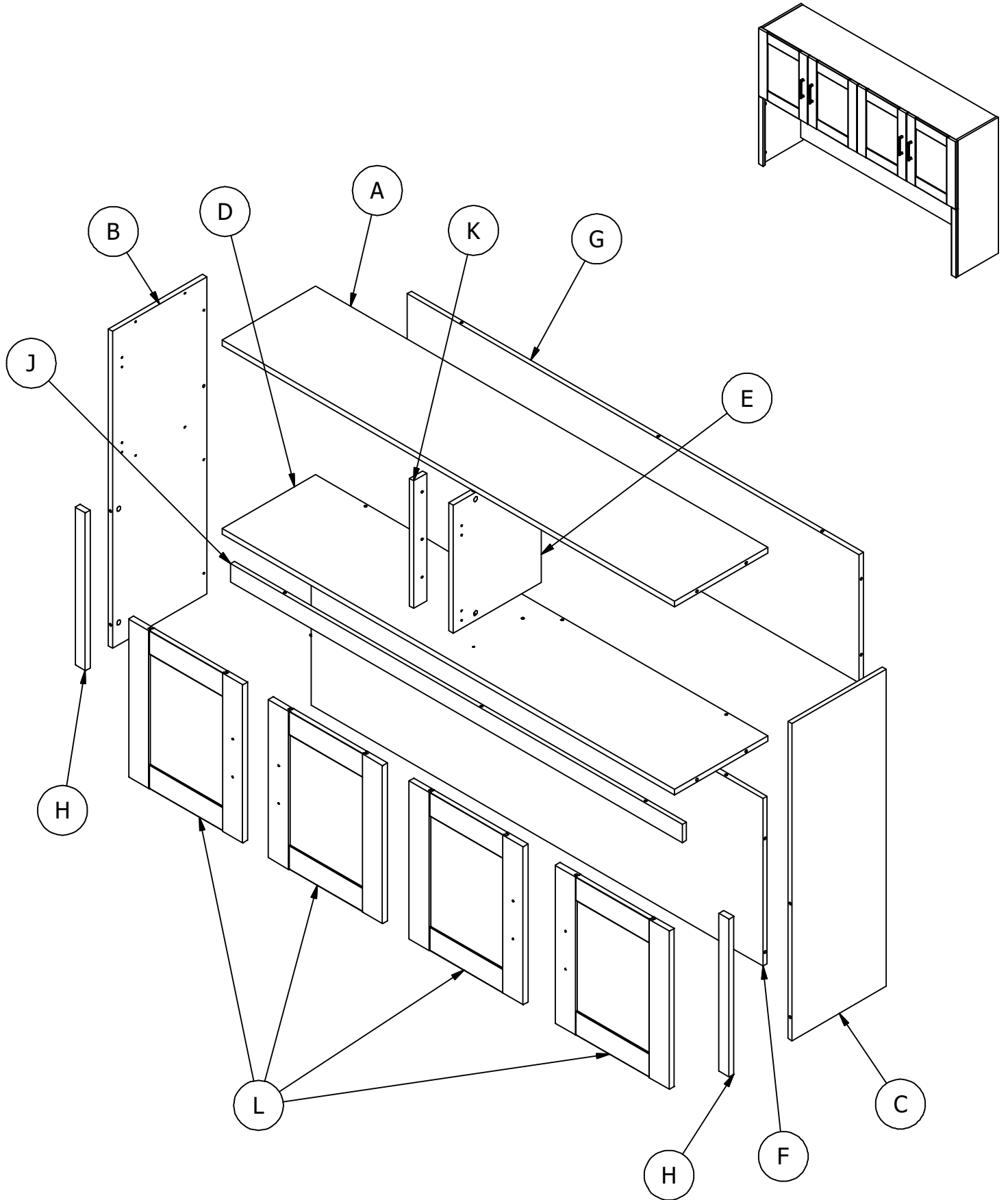
SCAN HERE



FOR VIDEOS

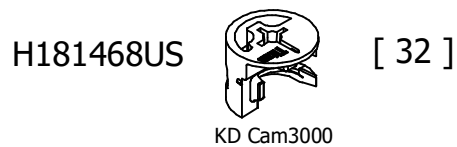
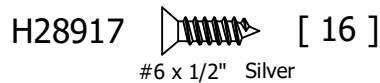
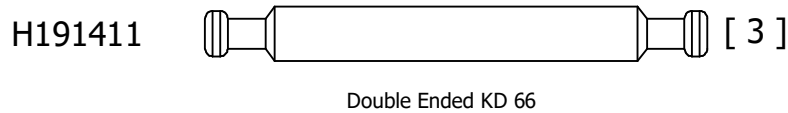
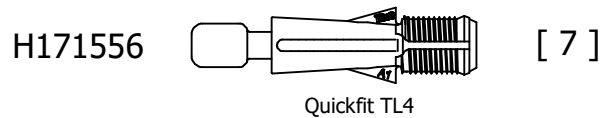
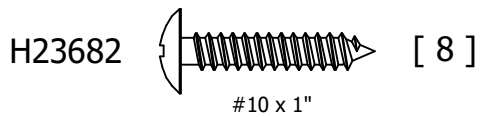
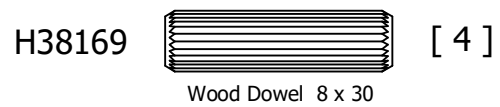
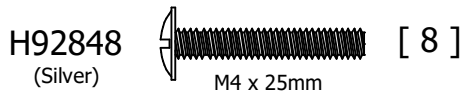
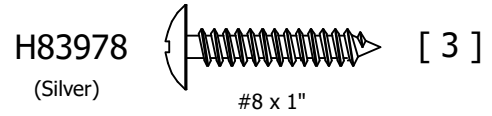
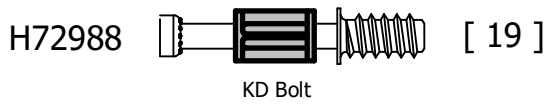
Or visit <https://bushfurniture.com/help-faq/#assembling>





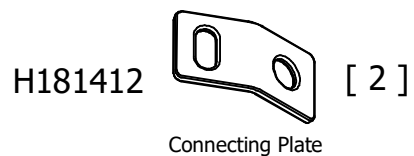
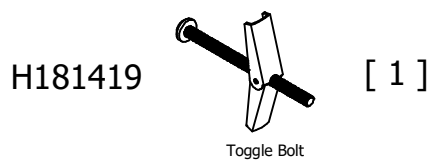
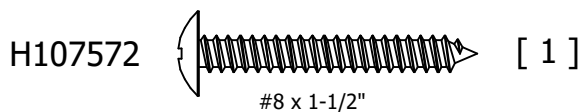
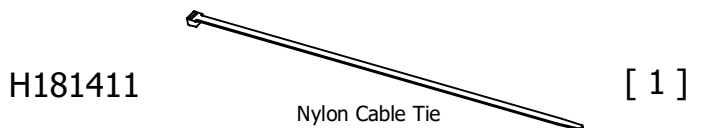
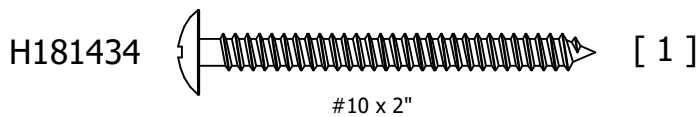
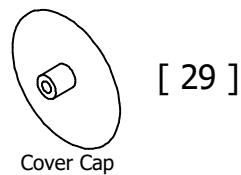
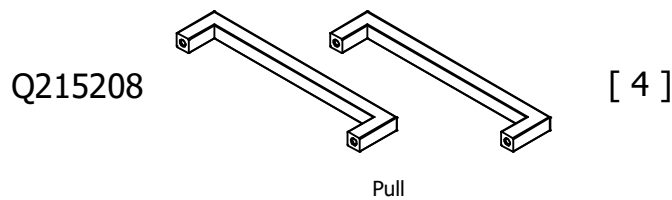
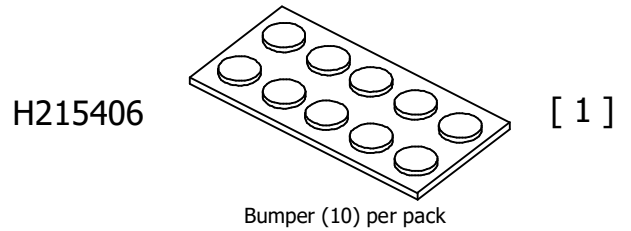
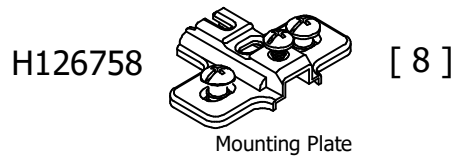
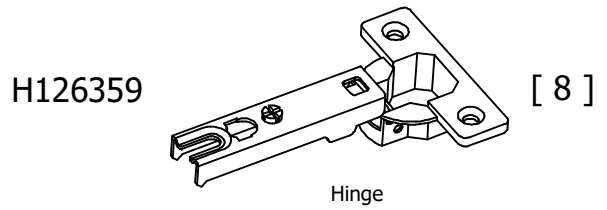
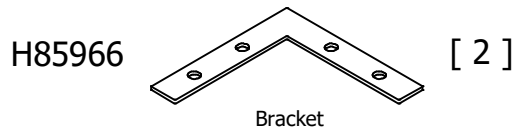
Have an assembly question or need a replacement part? Just call
1-800-950-4782, we are here to help.

Fasteners are shown actual size.



Have an assembly question or need a replacement part? Just call
1-800-950-4782, we are here to help.

Hardware not to scale.




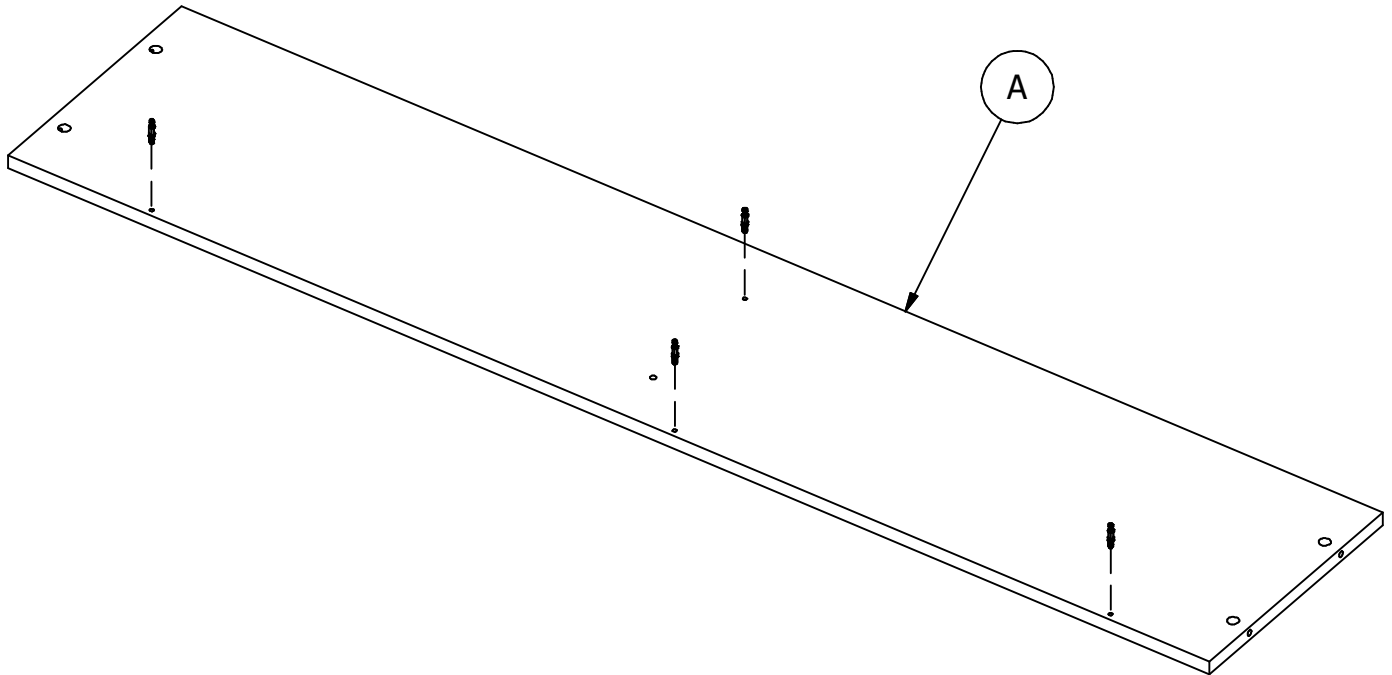
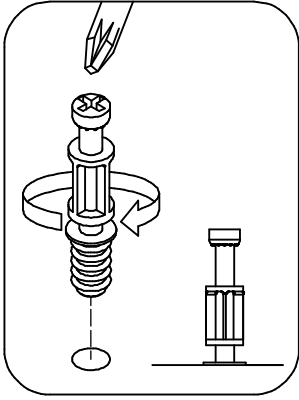
Have an assembly question or need a replacement part? Just call
1-800-950-4782, we are here to help.

STEP 1

Prepare Panel

A215587

H72988  [4]
KD Bolt



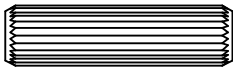
Have an assembly question or need a replacement part? Just call
1-800-950-4782, we are here to help.

STEP 2

Prepare Panel

A215587

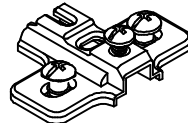
H38169



[2]

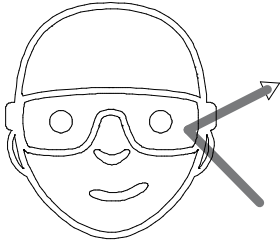
Wood Dowel 8 x 30

H126758

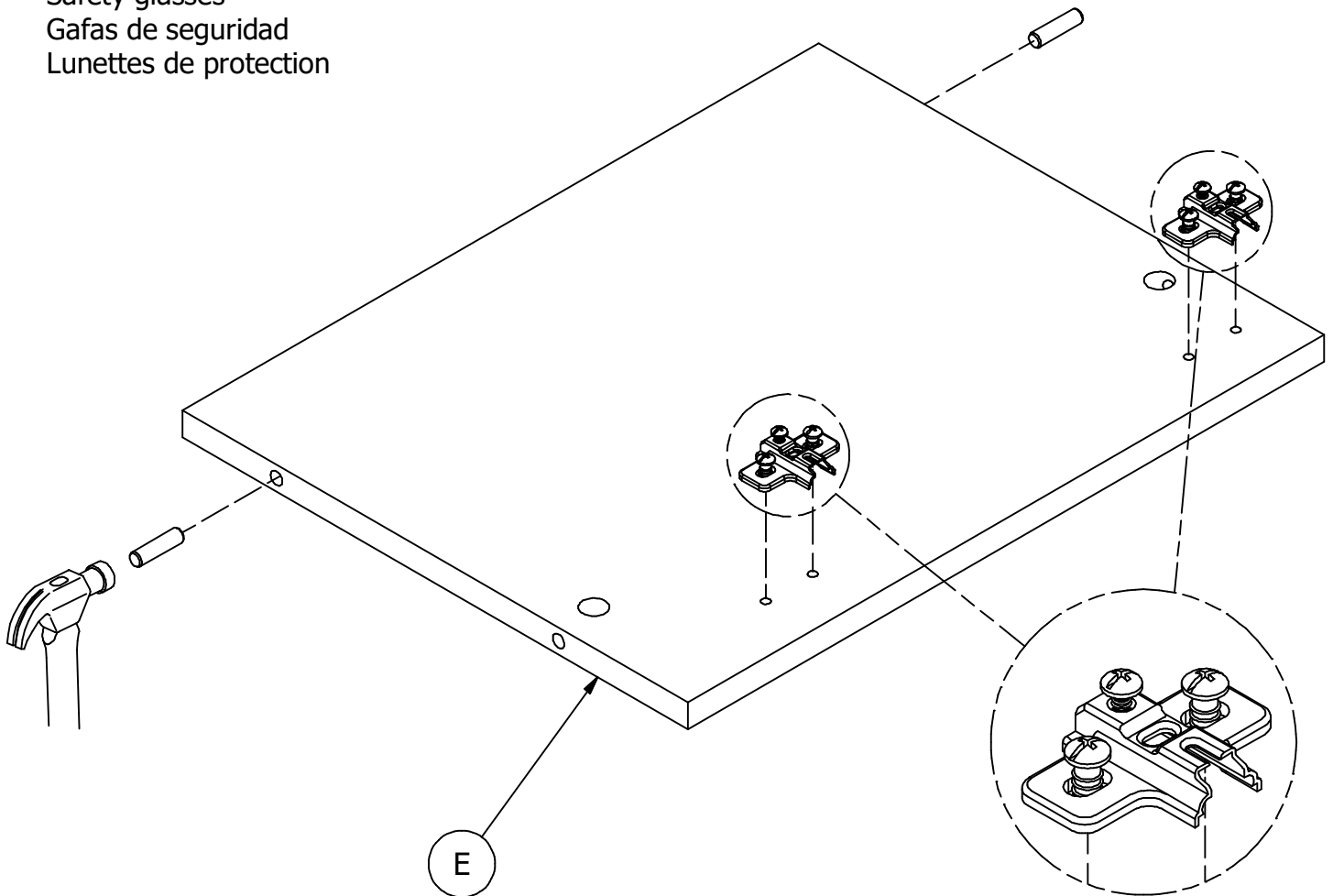


[2]

Mounting Plate

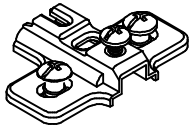


Safety glasses
Gafas de seguridad
Lunettes de protection



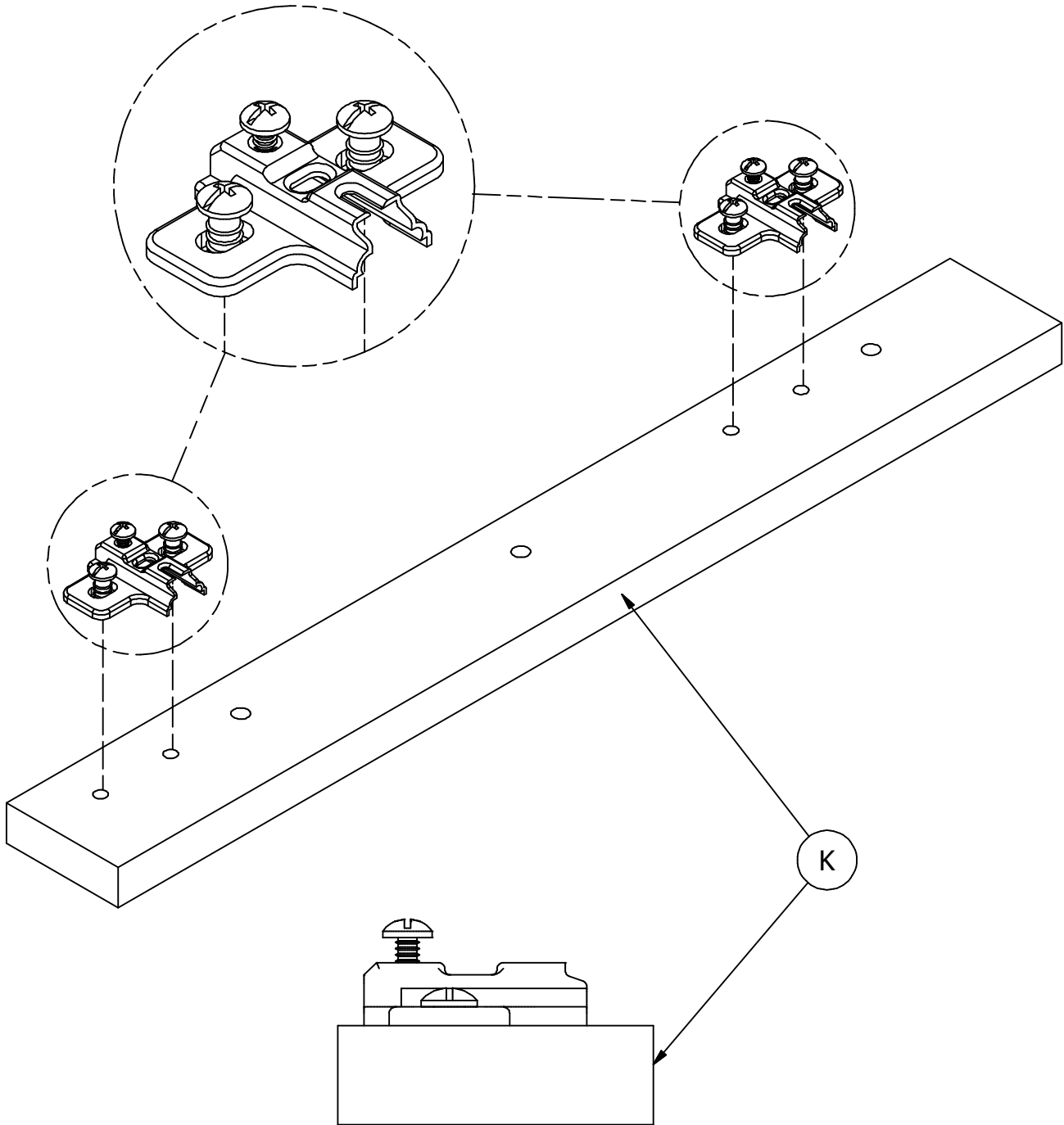
Have an assembly question or need a replacement part? Just call
1-800-950-4782, we are here to help.

H126758



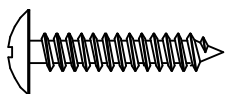
[2]

Mounting Plate



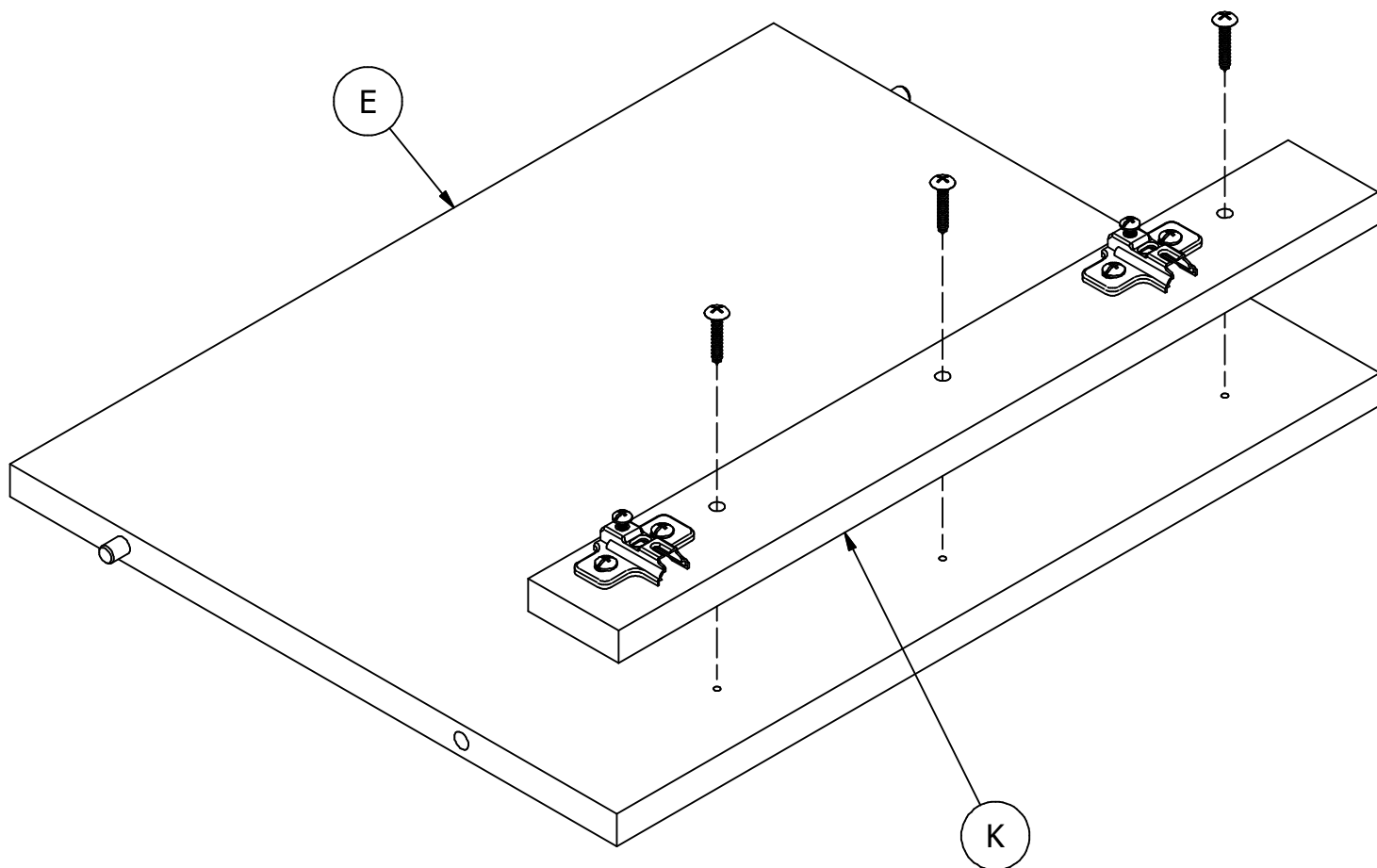
Have an assembly question or need a replacement part? Just call **1-800-950-4782**, we are here to help.

H83978
(Silver)



[3]

#8 x 1"



Have an assembly question or need a replacement part? Just call
1-800-950-4782, we are here to help.

STEP 5

Assemble Panels

A215587

Scan QR Code to Watch Video on:

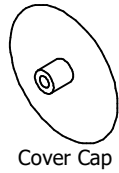


How to Tighten KD Cams

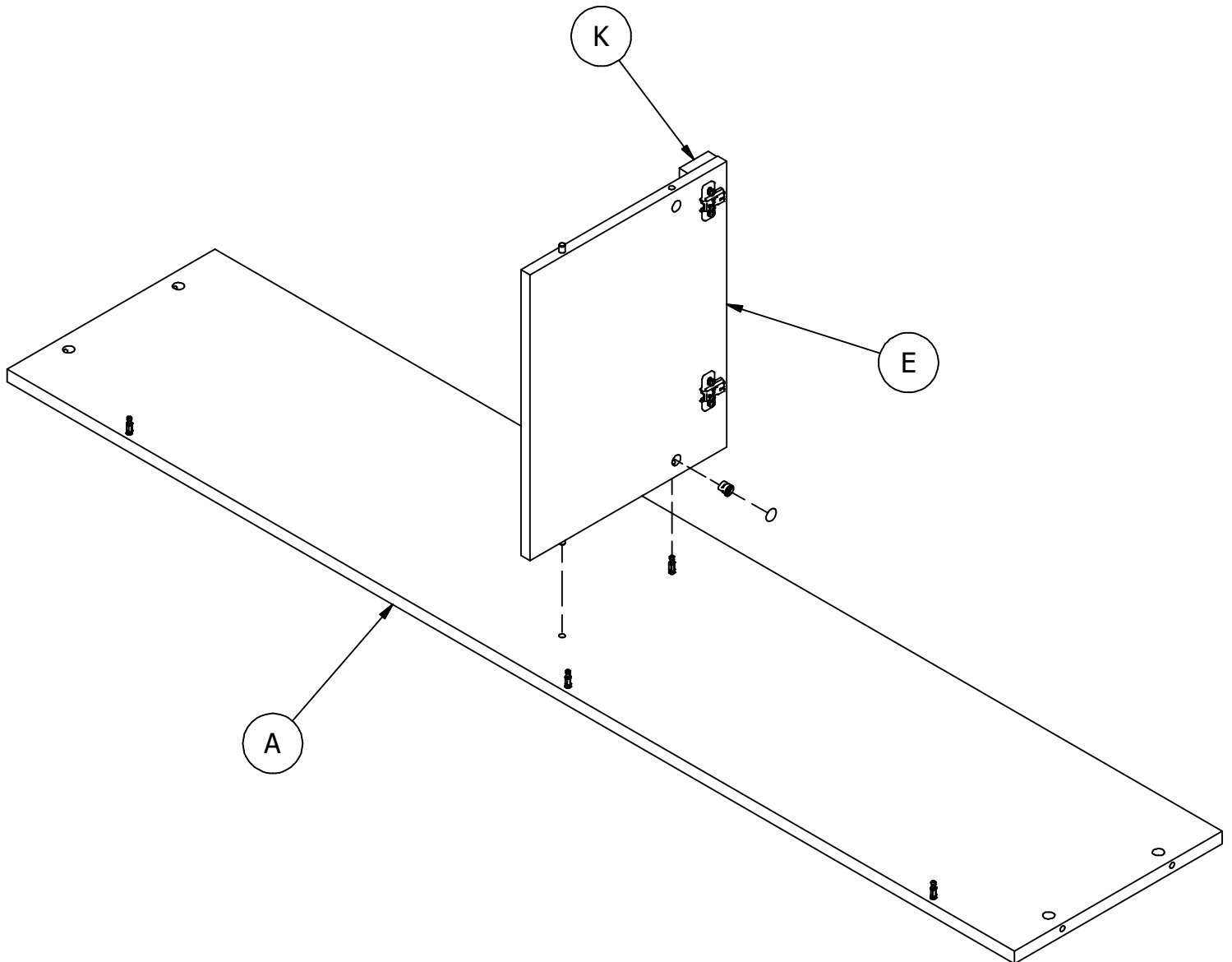
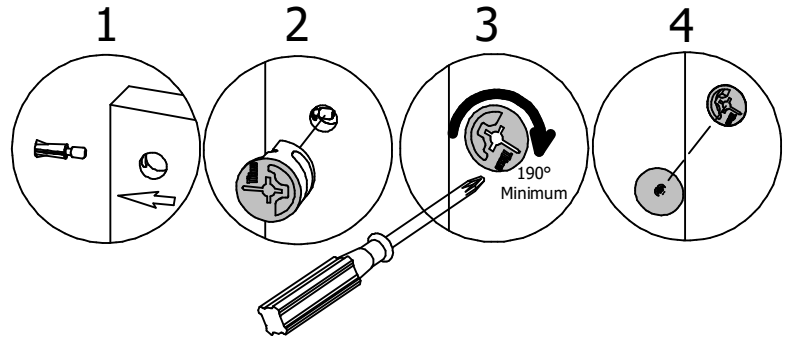
H181468US



[1]



[1]



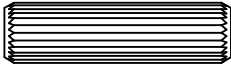
Have an assembly question or need a replacement part? Just call **1-800-950-4782**, we are here to help.

STEP 6

Prepare Panel

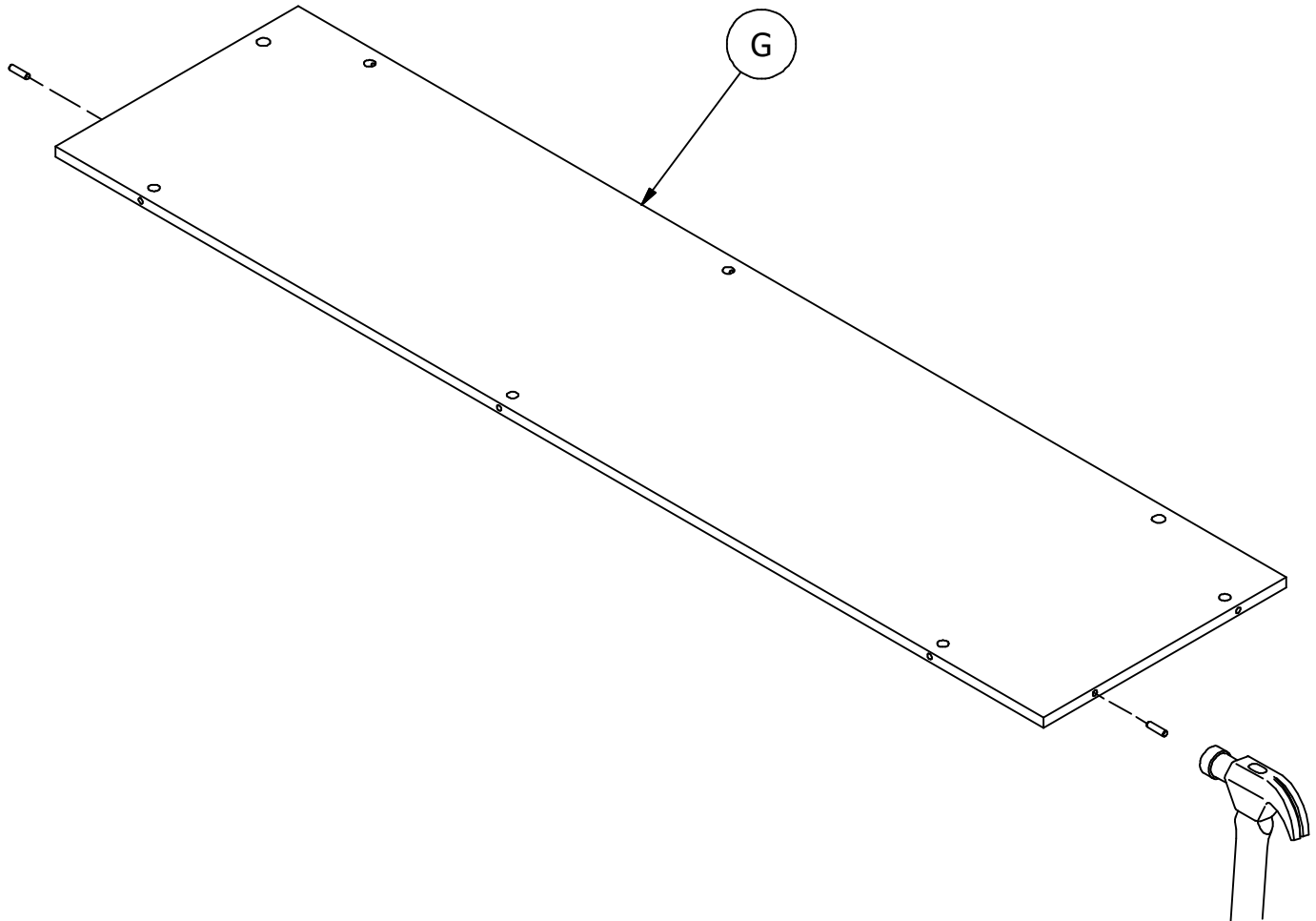
A215587

H38169



[2]

Wood Dowel 8 x 30



Have an assembly question or need a replacement part? Just call
1-800-950-4782, we are here to help.

Scan QR Code to Watch Video on:



How to Tighten KD Cams

H181468US

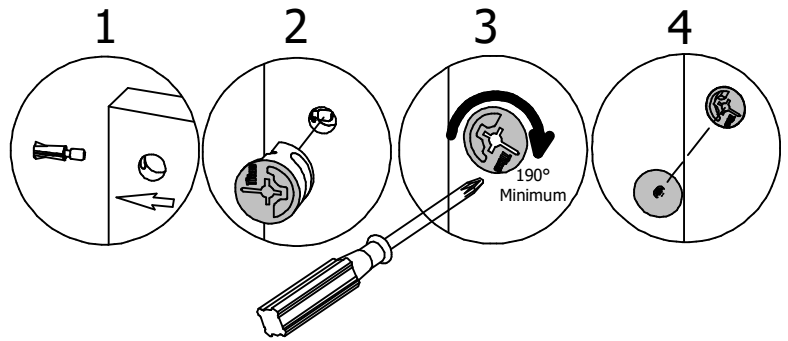


[6]

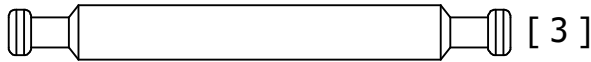


[6]

Cover Cap

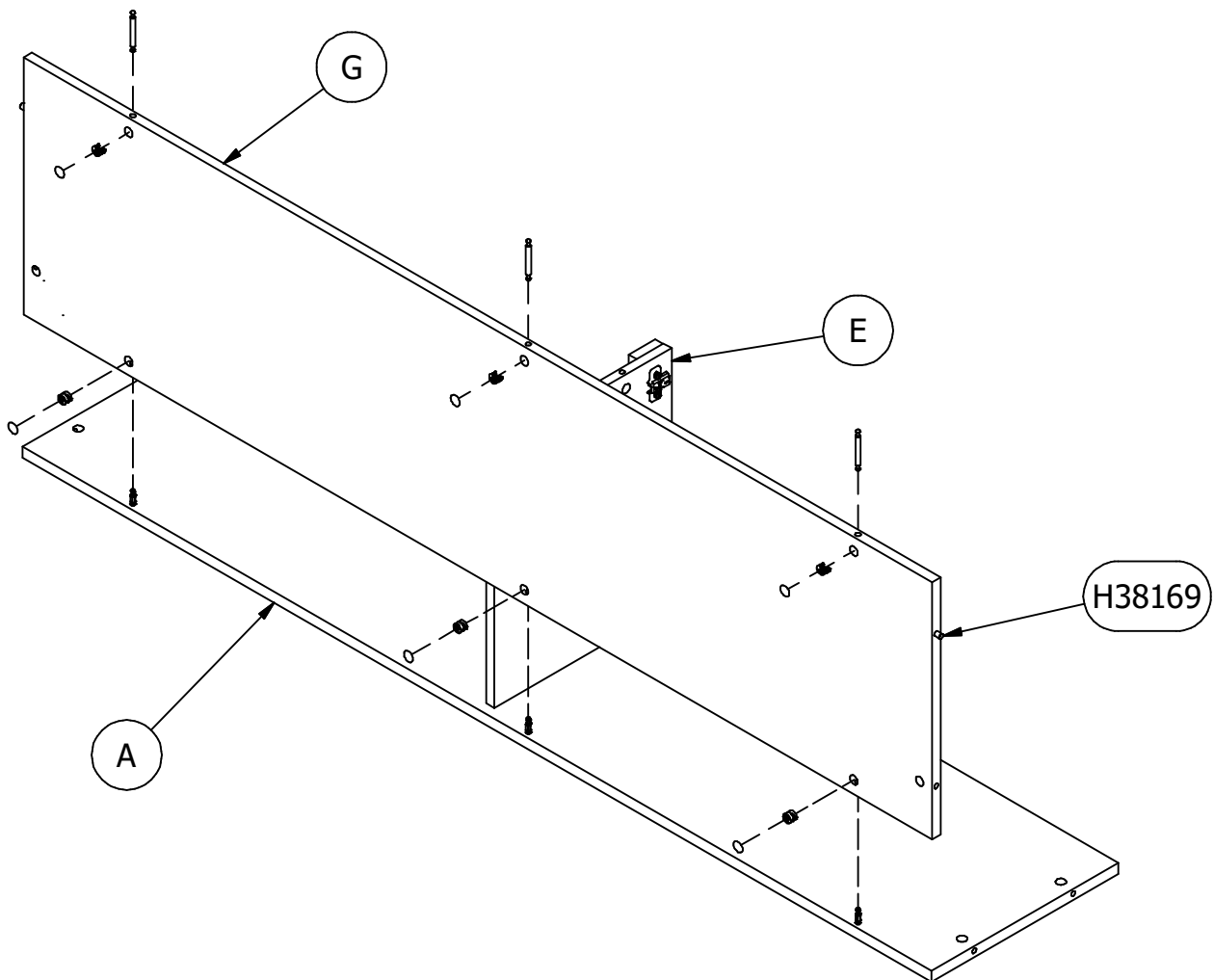


H191411



[3]

Double Ended KD 66



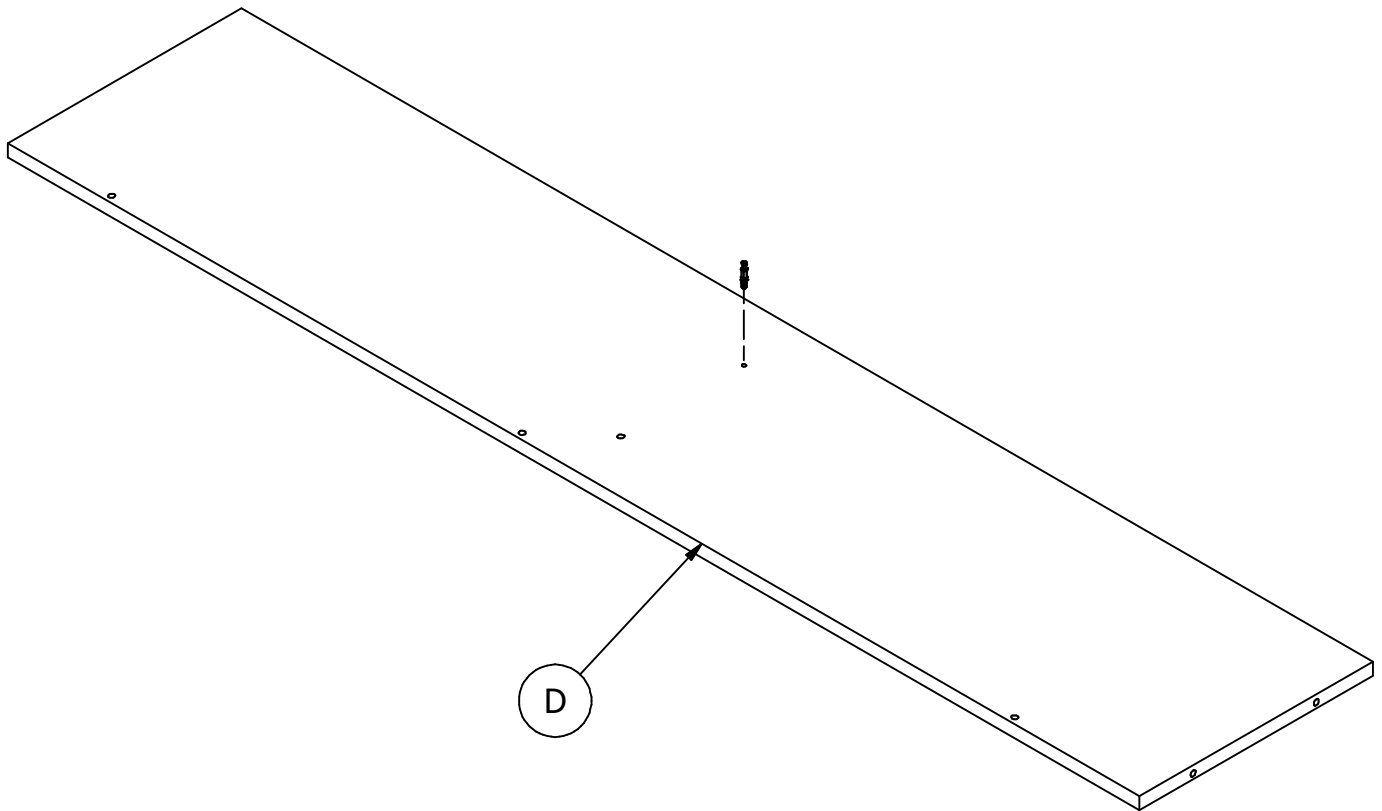
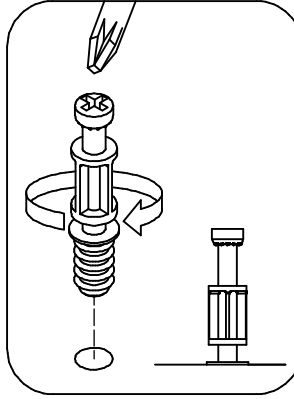
Have an assembly question or need a replacement part? Just call **1-800-950-4782**, we are here to help.

STEP 8

Prepare Panel

A215587

H72988 [1]
KD Bolt



Have an assembly question or need a replacement part? Just call
1-800-950-4782, we are here to help.

Scan QR Code to Watch Video on:



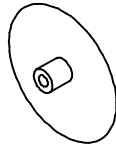
How to Tighten KD Cams

H181468US



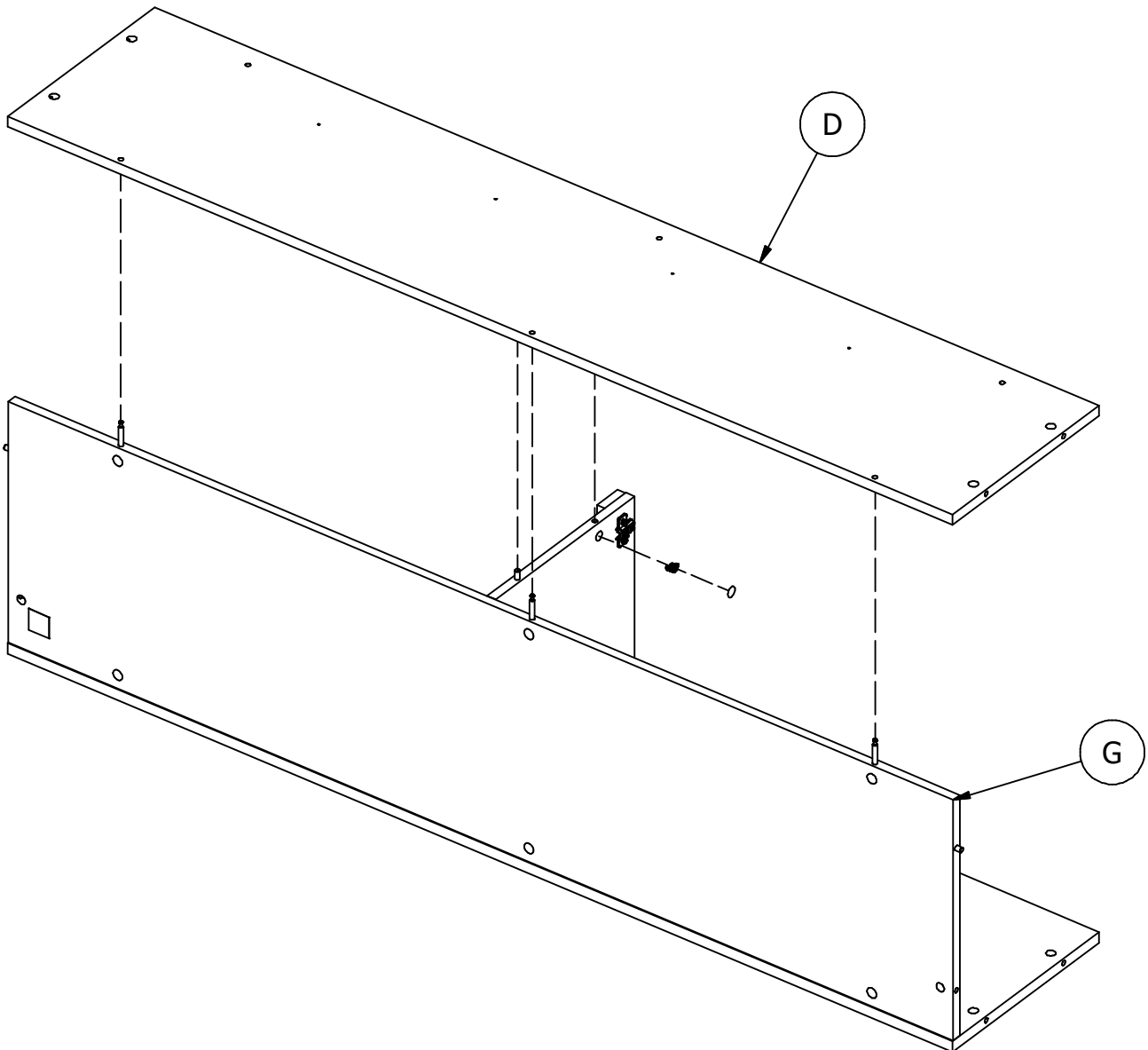
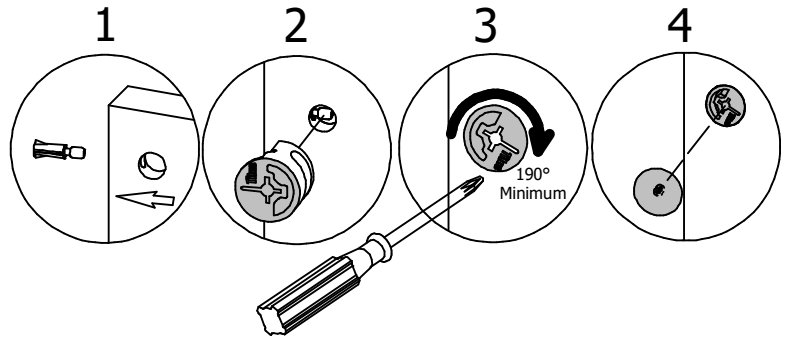
KD Cam3000

[1]



Cover Cap

[1]



Have an assembly question or need a replacement part? Just call **1-800-950-4782**, we are here to help.

STEP 10

Assemble Panels

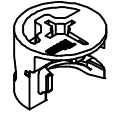
A215587

Scan QR Code to Watch Video on:



How to Tighten KD Cams

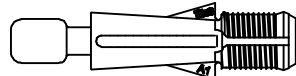
H181468US



KD Cam3000

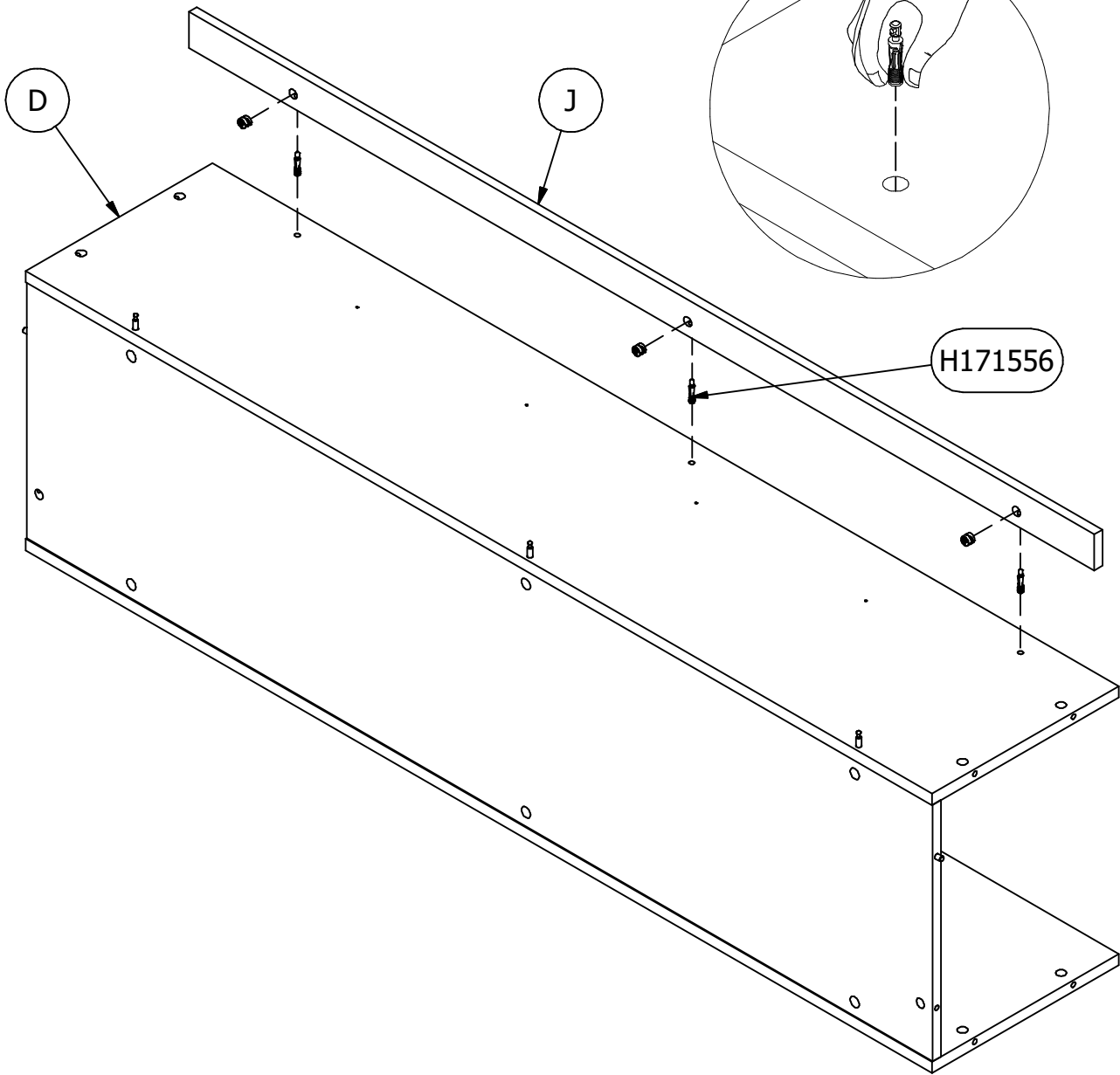
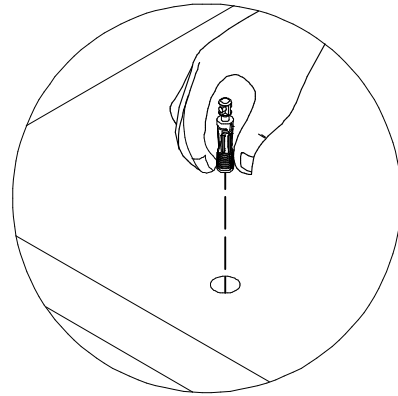
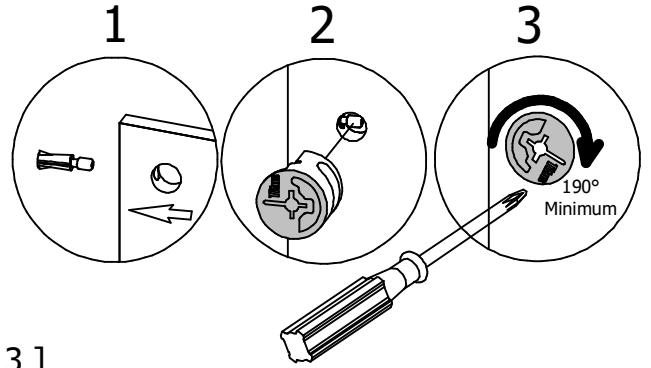
[3]

H171556

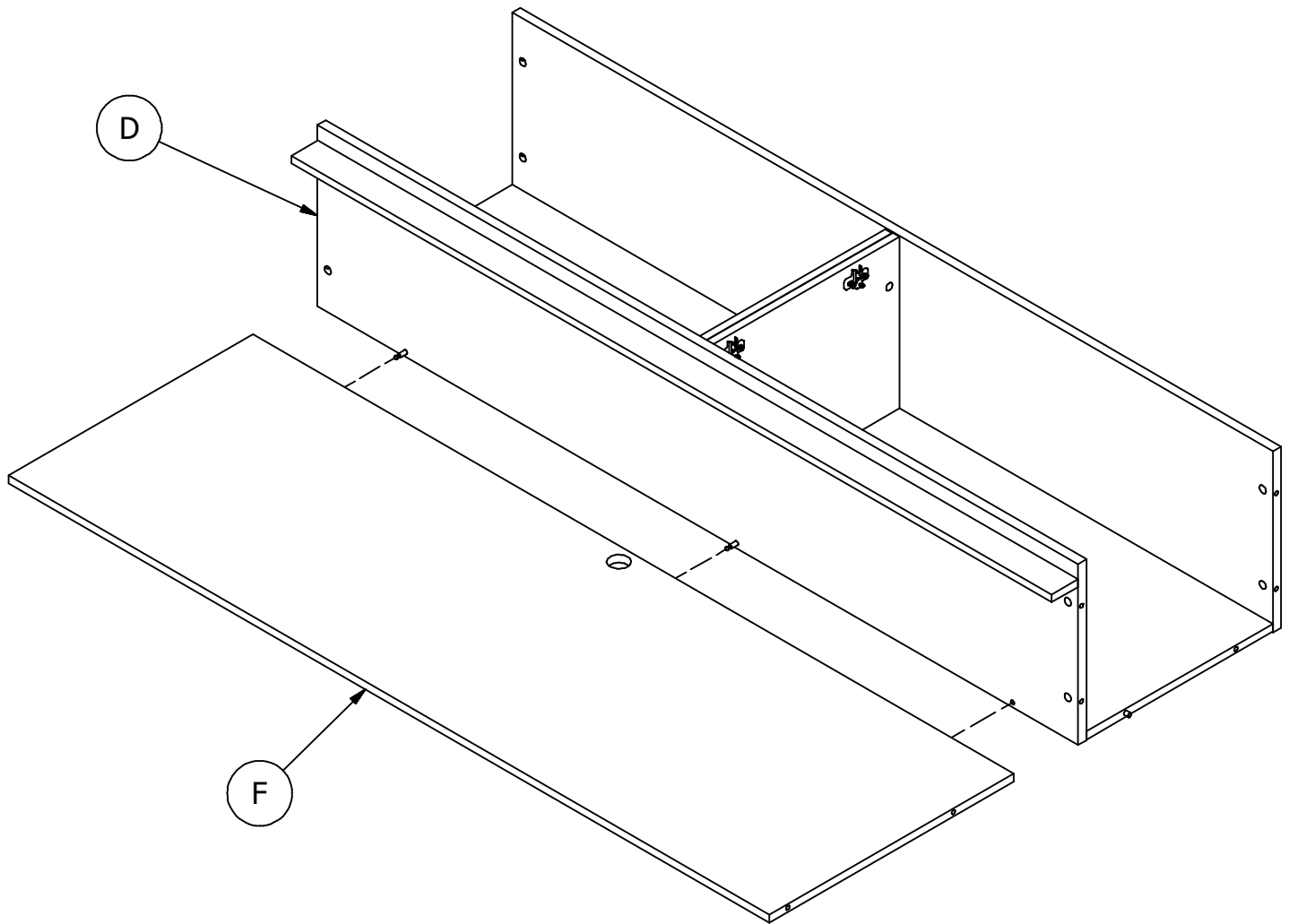
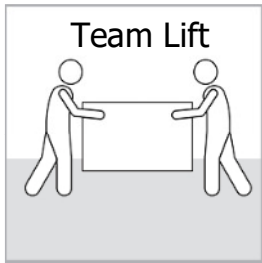


Quickfit TL4


[3]

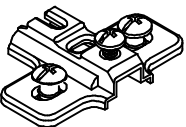


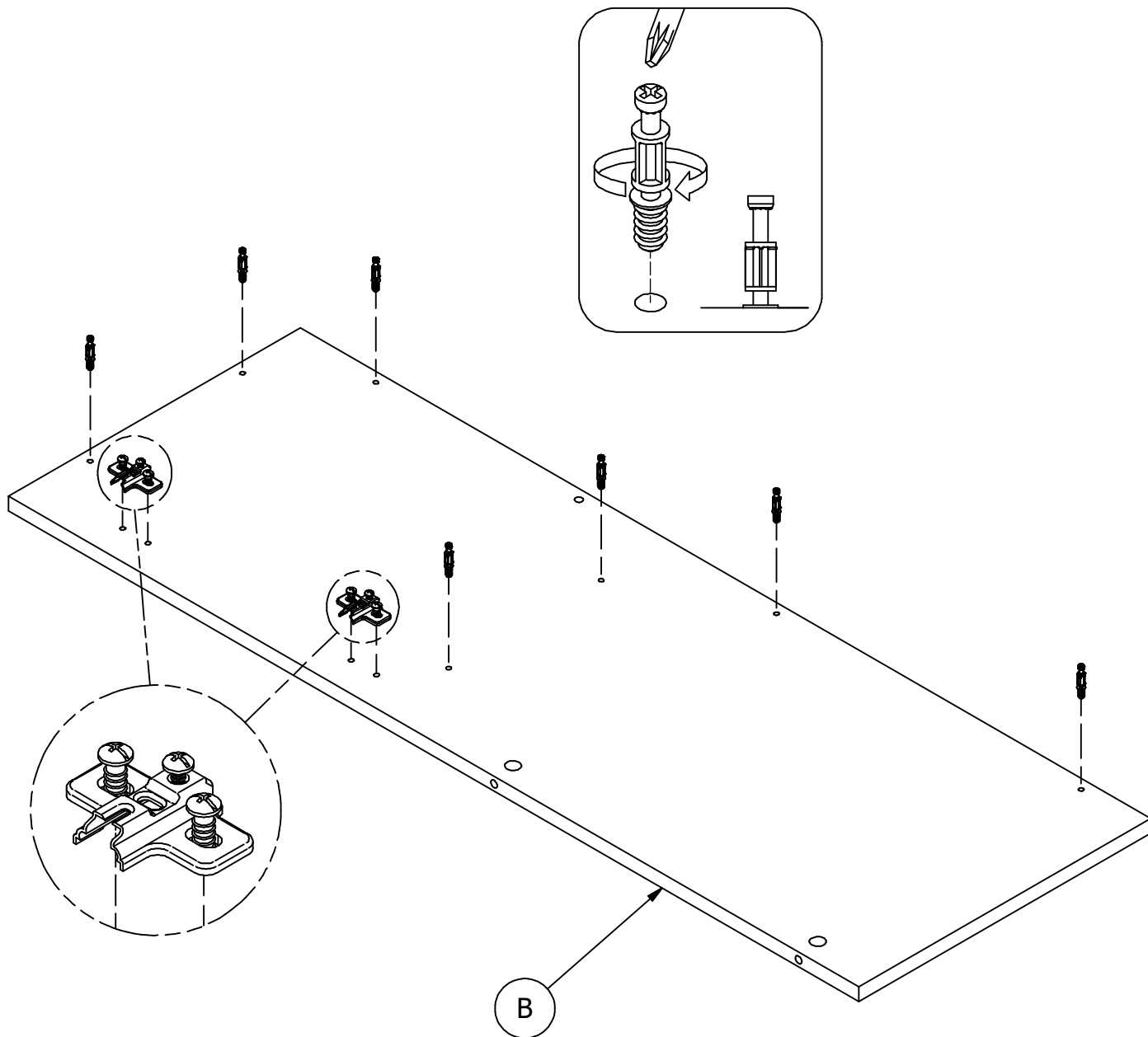
Have an assembly question or need a replacement part? Just call **1-800-950-4782**, we are here to help.



Have an assembly question or need a replacement part? Just call
1-800-950-4782, we are here to help.

H72988  [7]
KD Bolt

H126758  [2]
Mounting Plate



Have an assembly question or need a replacement part? Just call
1-800-950-4782, we are here to help.

STEP 13

Assemble Panels

A215587

Scan QR Code to Watch Video on:



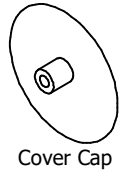
How to Tighten KD Cams

H181468US



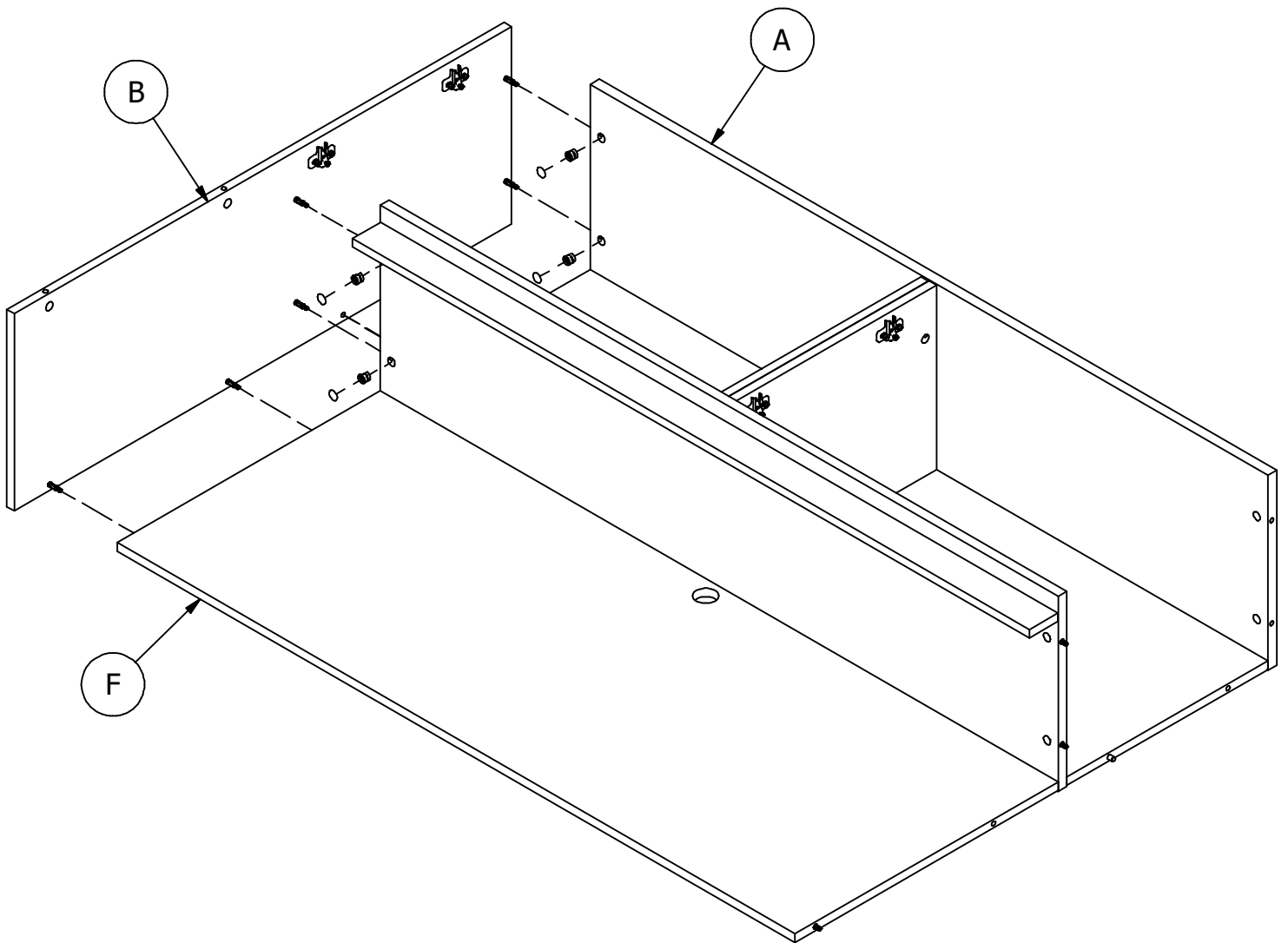
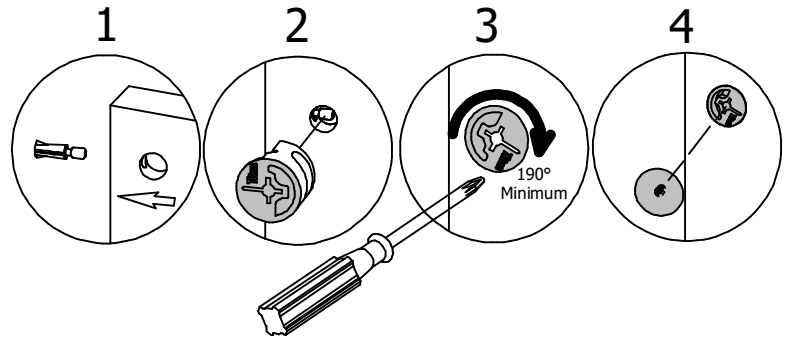
KD Cam3000

[4]



Cover Cap

[4]



Have an assembly question or need a replacement part? Just call **1-800-950-4782**, we are here to help.

STEP 14

Prepare Panel

A215587

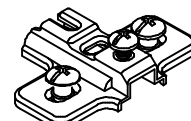
H72988



KD Bolt

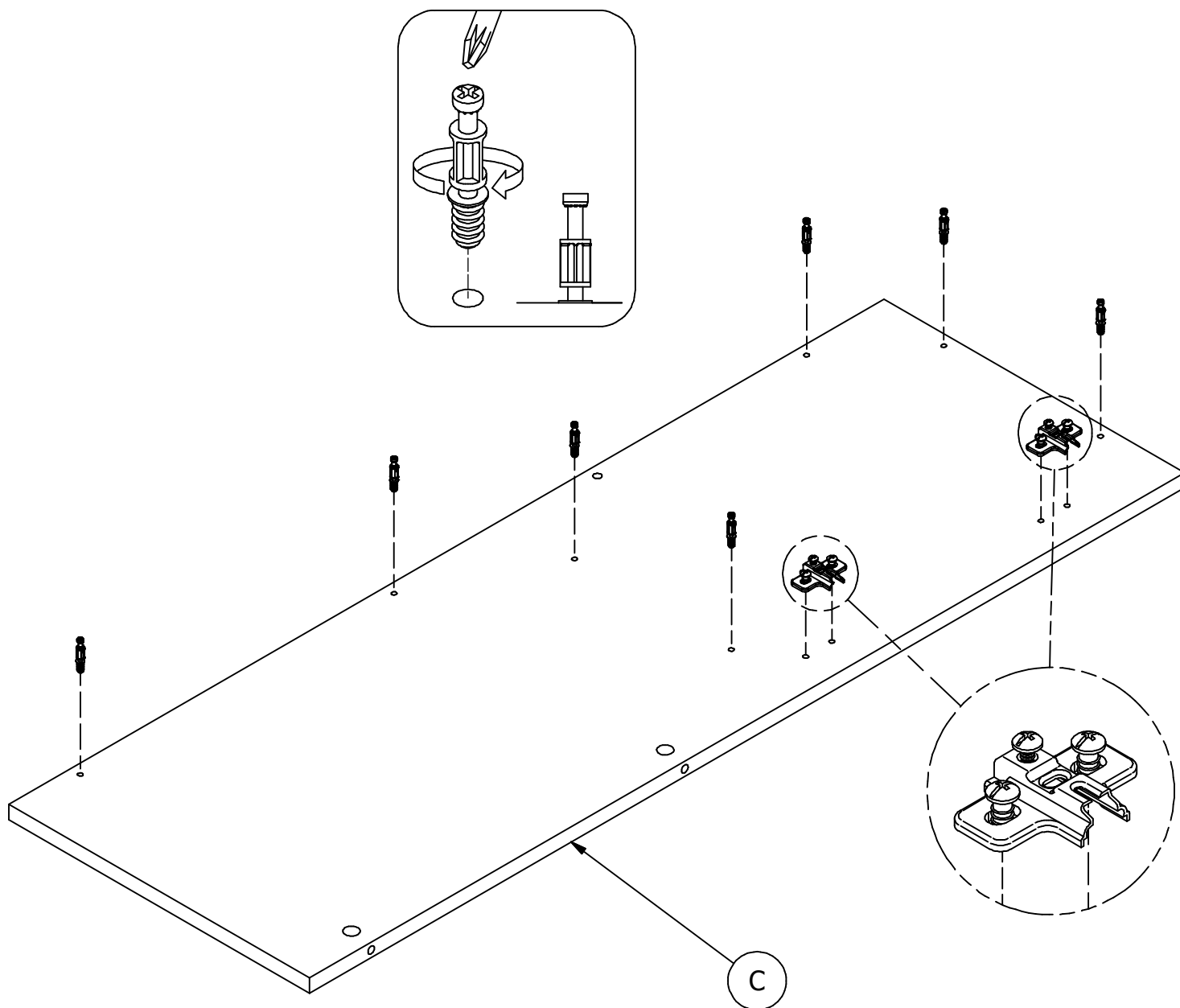
[7]

H126758



Mounting Plate

[2]



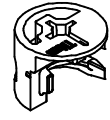
Have an assembly question or need a replacement part? Just call
1-800-950-4782, we are here to help.

Scan QR Code to Watch Video on:



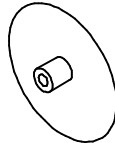
How to Tighten KD Cams

H181468US



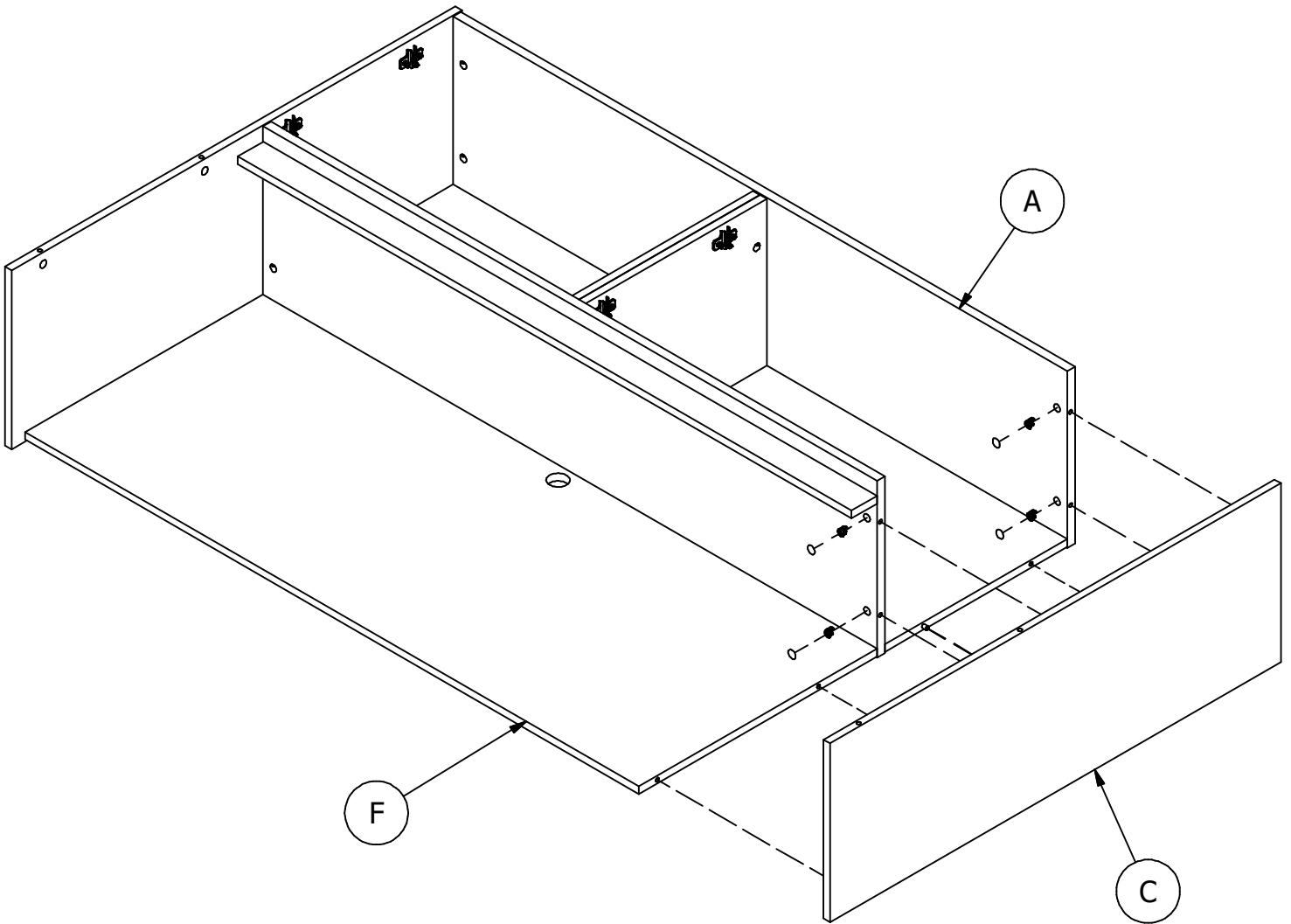
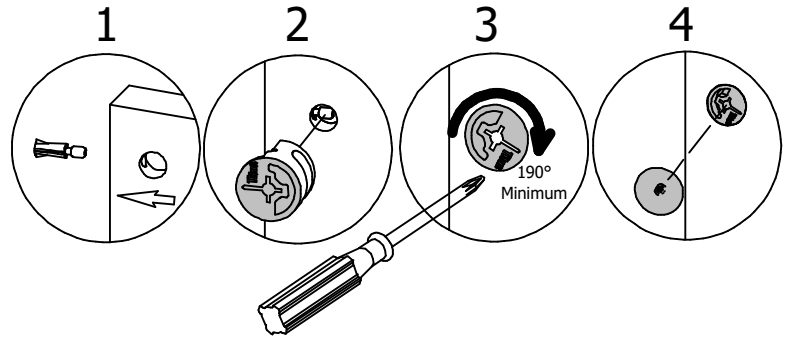
KD Cam3000

[4]



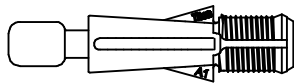
Cover Cap

[4]



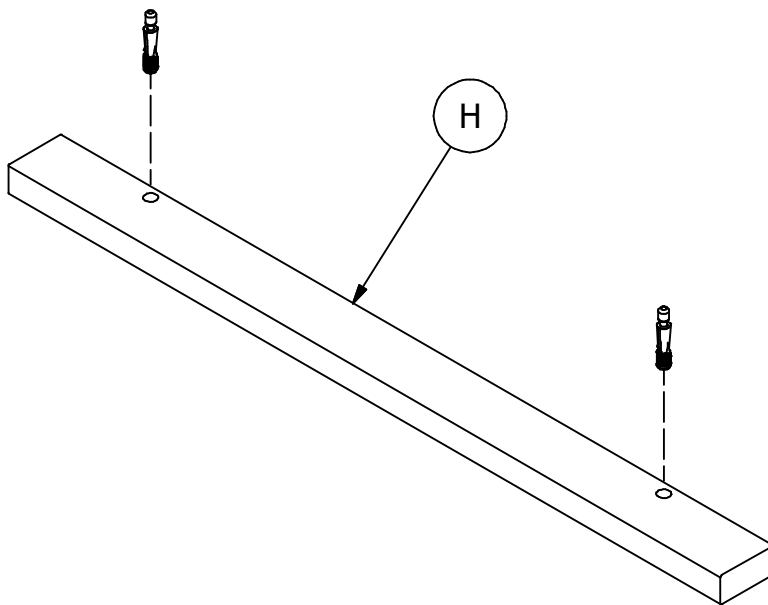
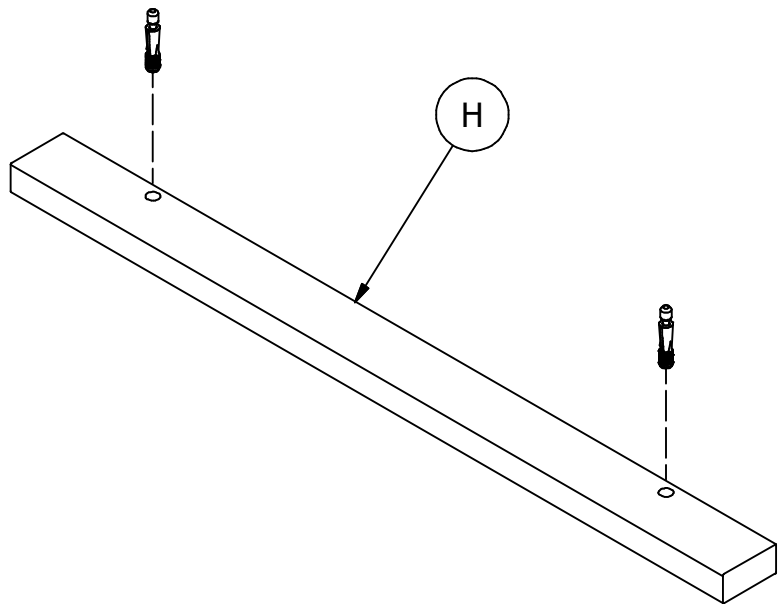
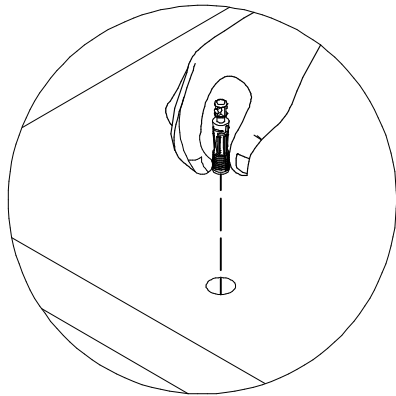
Have an assembly question or need a replacement part? Just call **1-800-950-4782**, we are here to help.

H171556



[4]

Quickfit TL4



Have an assembly question or need a replacement part? Just call **1-800-950-4782**, we are here to help.

Scan QR Code to Watch Video on:



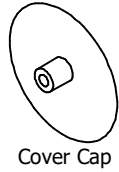
How to Tighten KD Cams

H181468US



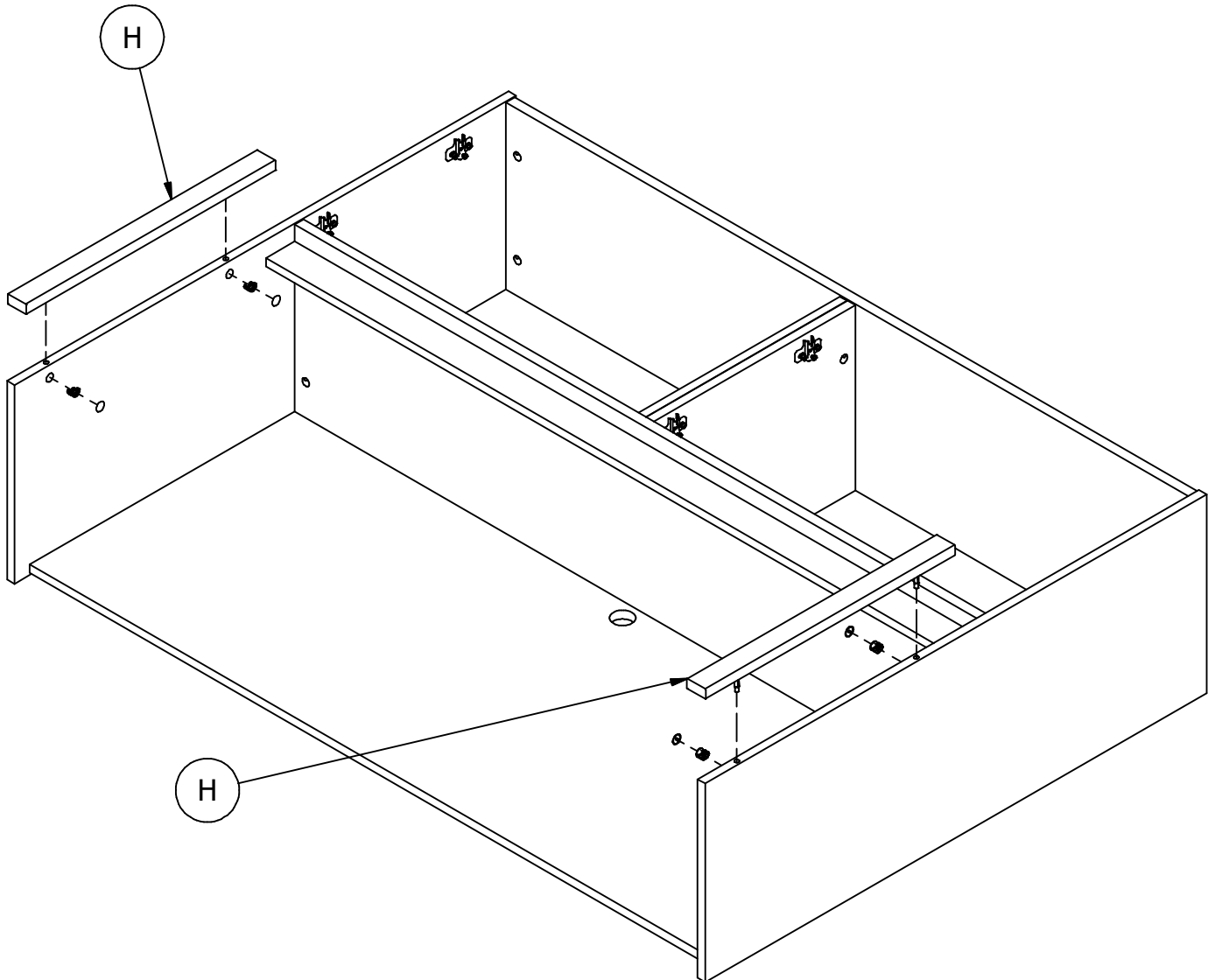
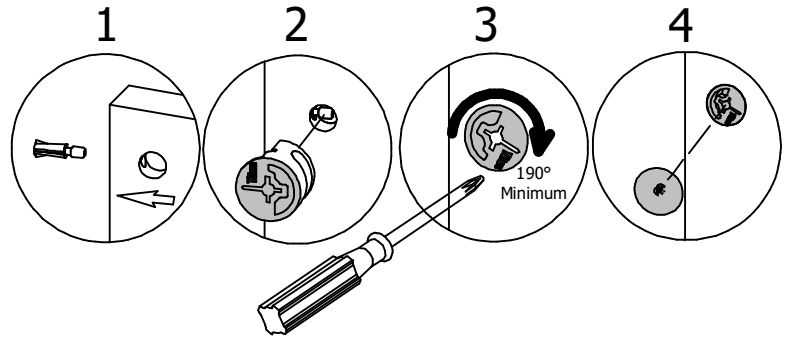
KD Cam3000

[4]



Cover Cap

[4]



Have an assembly question or need a replacement part? Just call **1-800-950-4782**, we are here to help.

STEP 18

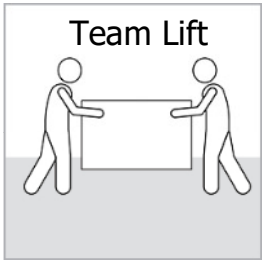
Install Hardware

A215587

Scan QR Code to Watch Video on:



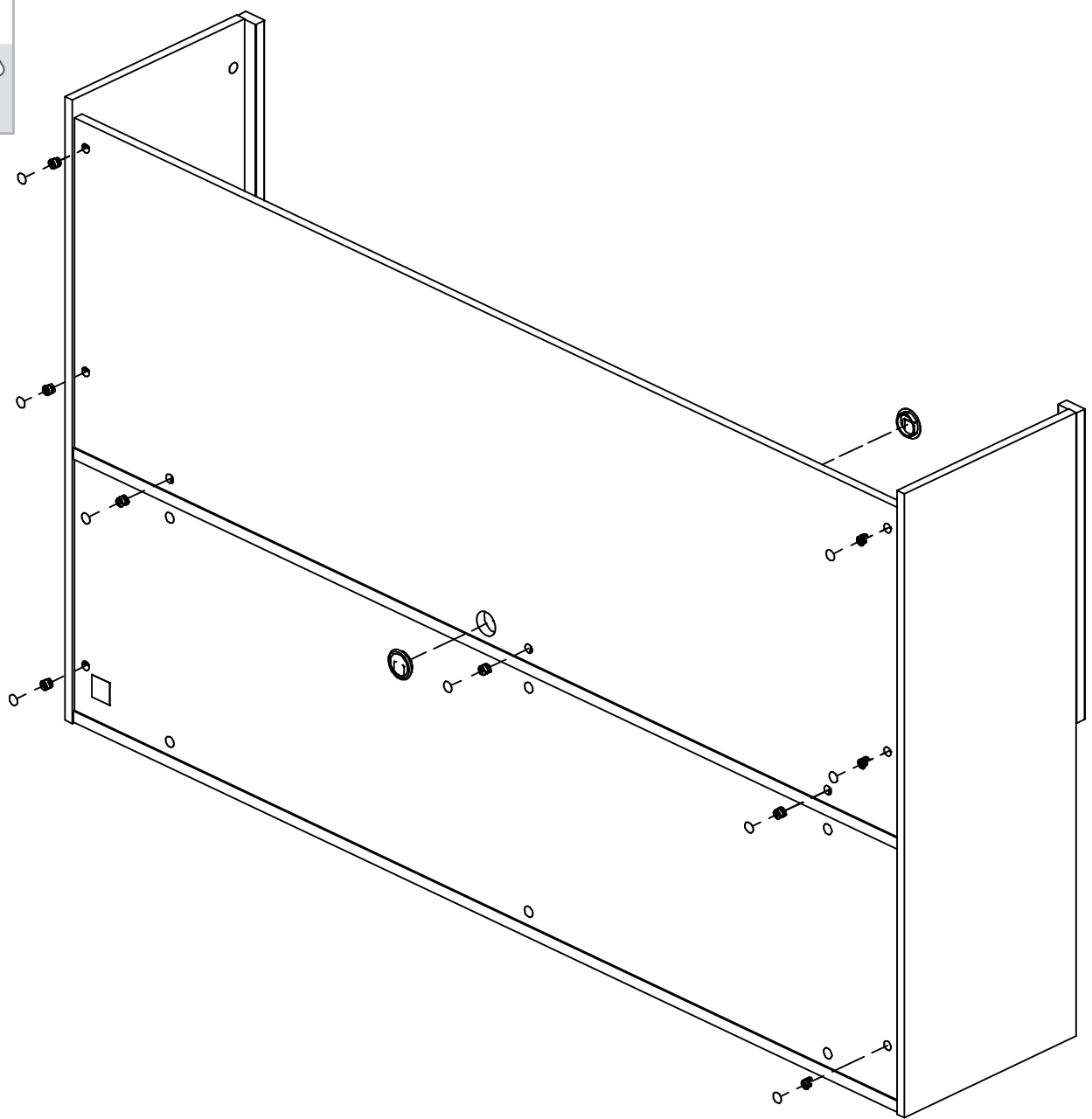
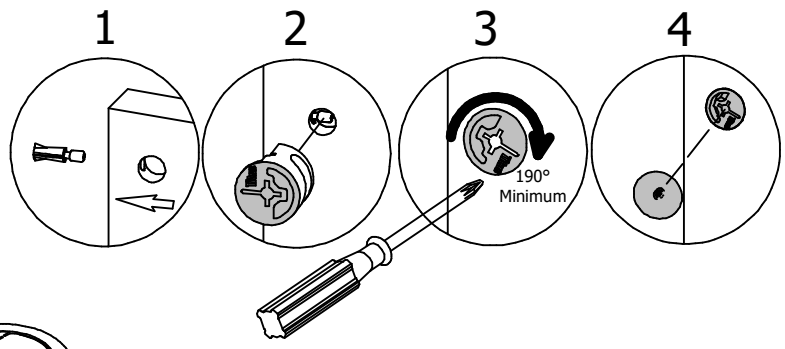
How to Tighten KD Cams



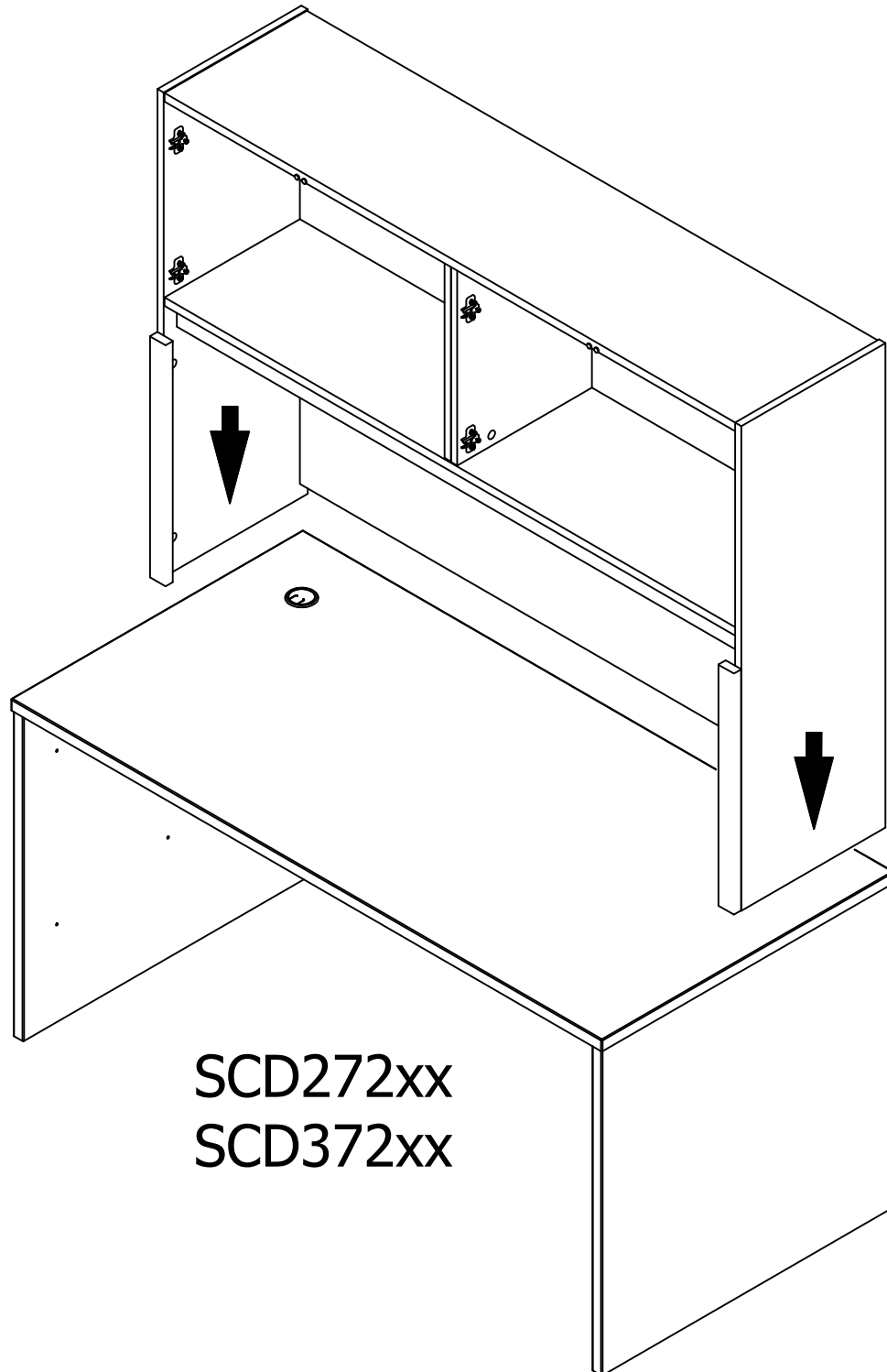
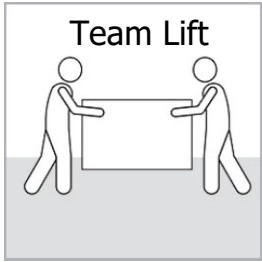
H181468US [9]
KD Cam3000

[9]
Cover Cap

[2]
Grommet



Have an assembly question or need a replacement part? Just call **1-800-950-4782**, we are here to help.




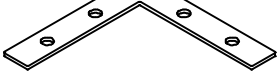
Have an assembly question or need a replacement part? Just call
1-800-950-4782, we are here to help.

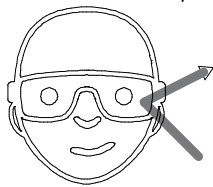
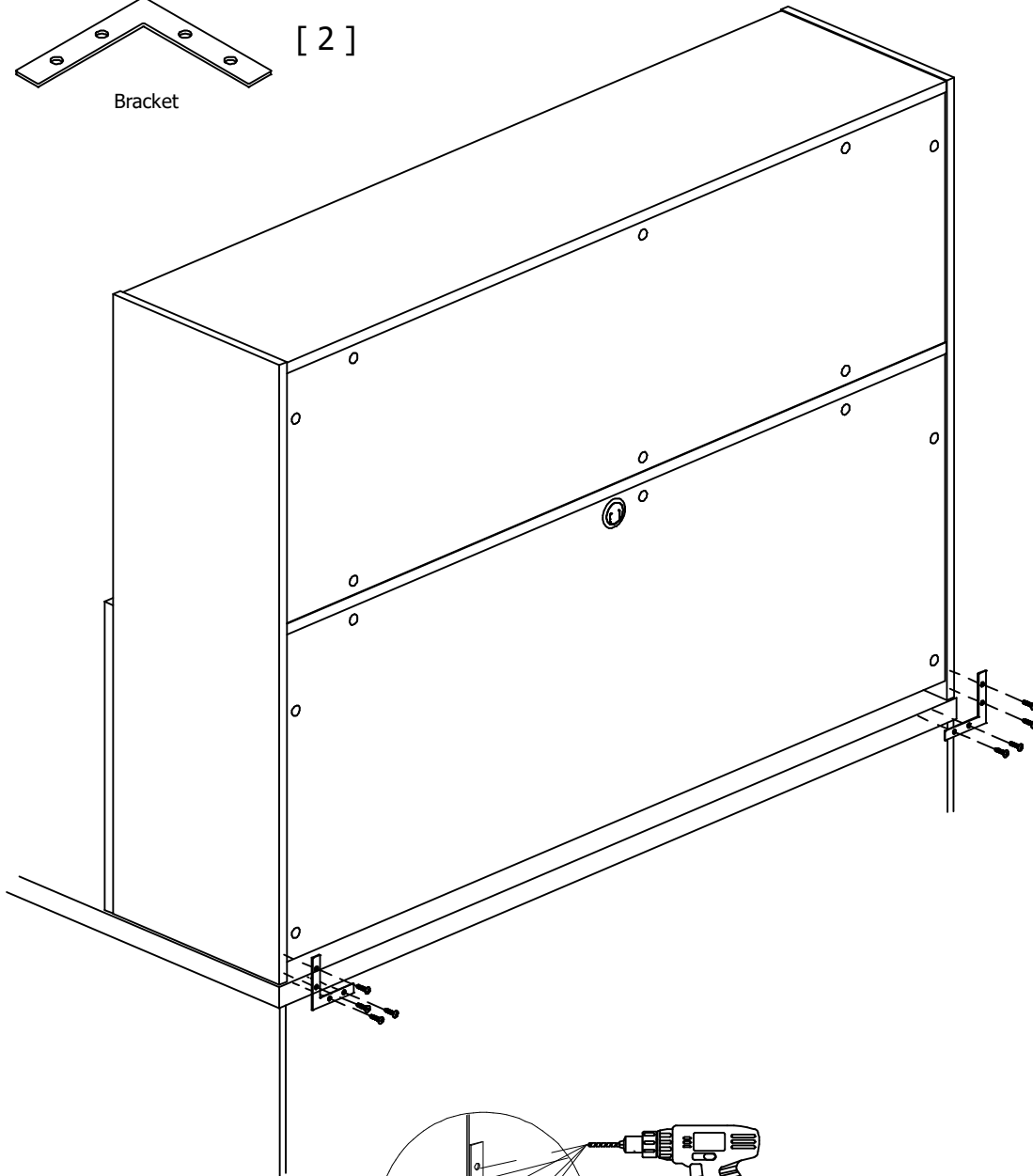
STEP 20

Install Brackets

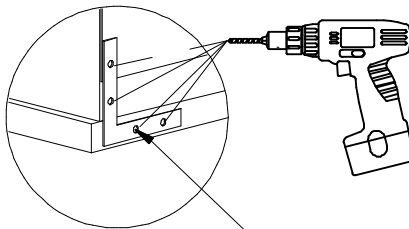
A215587

H23682  [8]
#10 x 1"

H85966  [2]
Bracket



Safety glasses
Gafas de seguridad
Lunettes de protection



Drill (8) 1/8" holes 3/4" deep.
Perfore (8) agujeros de 3mm a 19mm de profundo.
Percer (8) trous de 3mm de diamètre et 19mm de profondeur.

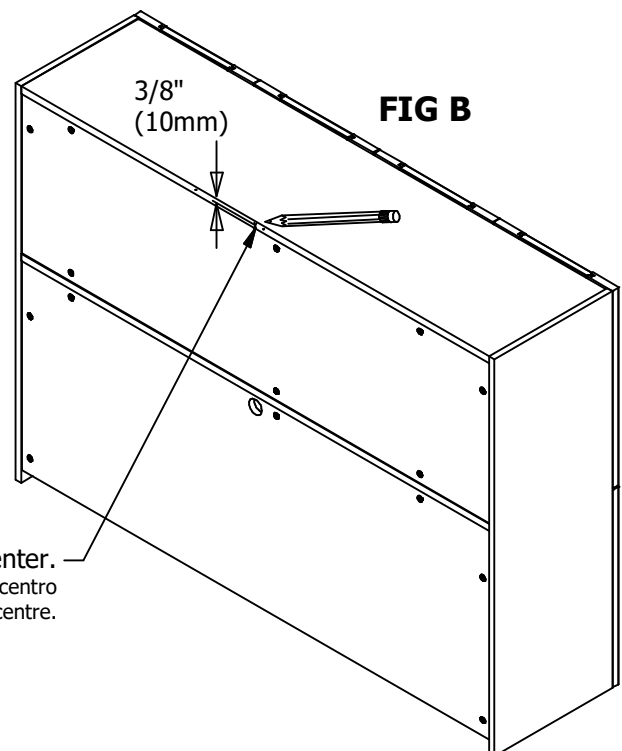
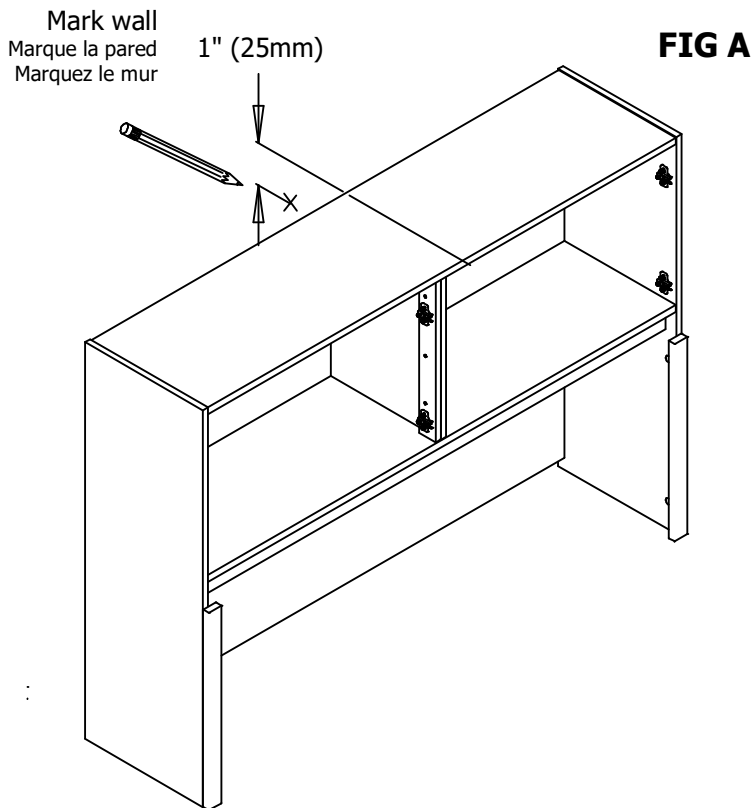
Have an assembly question or need a replacement part? Just call
1-800-950-4782, we are here to help.

Secure unit to the wall with a tip-over restraint.
 Unidad de seguro a la pared con un sistema de retención de un vuelco.
 Fixer l'unité au mur avec un dispositif de retenue renversement.

1. Place unit in desired location.
2. Locate wall stud nearest unit center. **FIG A**
3. On wall, mark center of stud location 1" below top of unit. **FIG A**
4. If a wall stud cannot be located mark hollow wall at unit center. **FIG A**
5. On back of unit, mark corresponding location 3/8" below top of unit. **FIG B**

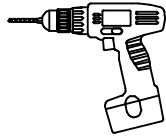
1. Coloque la unidad en el lugar deseado.
2. Localice pie derecho de pared centro de unidad más próxima.
3. En la pared del, marque el centro de la ubicación del montante 1 "abajo la parte superior de la unidad.
4. Si un poste de la pared no se puede localizar marcar pared hueca en el centro de la unidad.
5. En el dorso de la unidad, marque la ubicación 3/8 correspondiente abajo la parte superior de la unidad.

1. Placez l'unité à l'endroit désiré.
2. Localiser centre d'unité la plus proche de la paroi Stud.
3. Sur le mur, centre de emplacement du montant 1 "ci-dessous dessus de l'appareil de la marque.
4. Si un montant de mur ne peut pas être situé marquer mur creux au centre de l'unité.
5. Le dos de l'appareil, marquer l'emplacement 3/8 correspondant ci-dessous dessus de l'appareil.

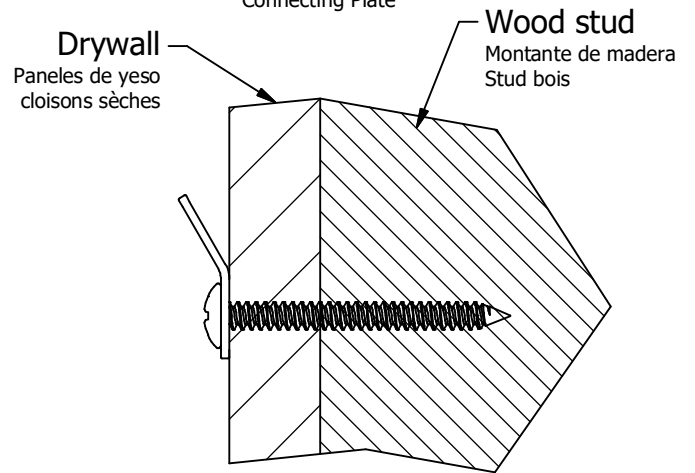
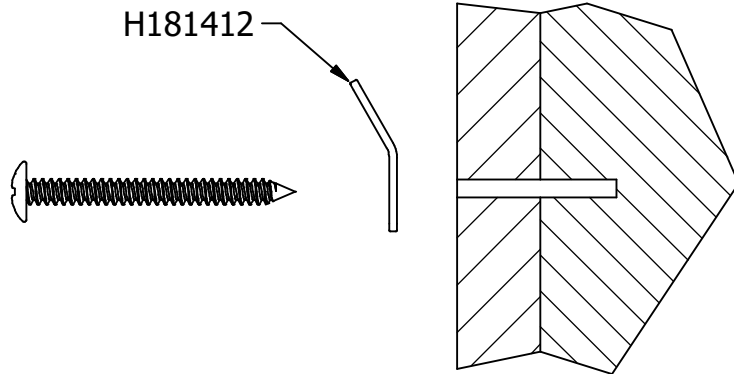
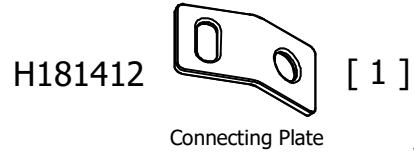
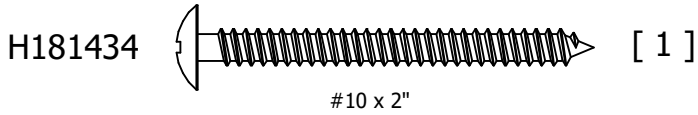


Have an assembly question or need a replacement part? Just call
1-800-950-4782, we are here to help.

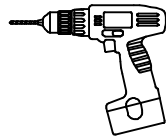
WALL STUD ATTACHMENT



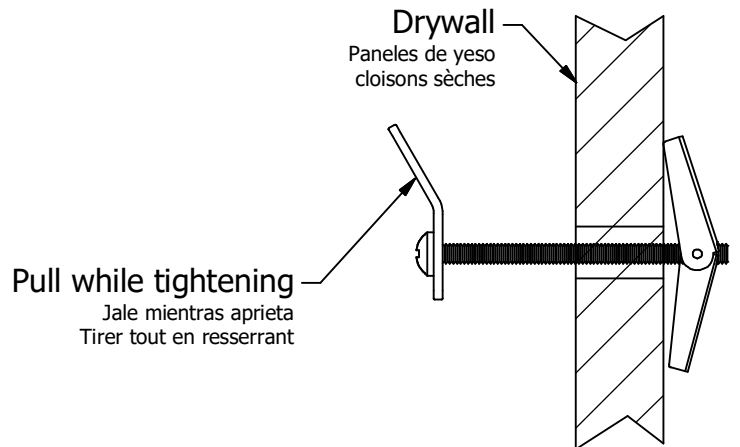
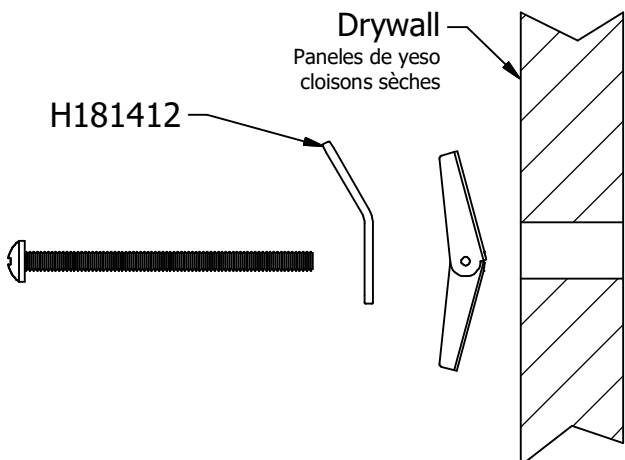
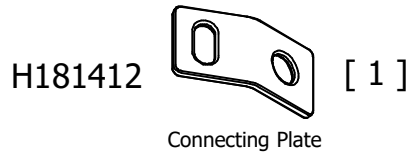
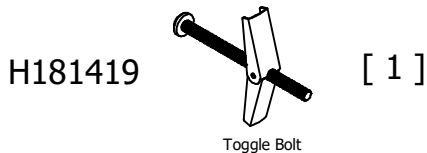
Drill 1/8" hole 2" deep at mark on wall.
 Taladro 1/8 "agujero 2" de profundidad en la marca en la pared.
 Percer 1/8 "trou de 2" de profondeur à la marque sur le mur.



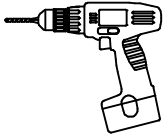
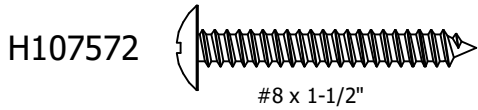
HOLLOW WALL ATTACHMENT



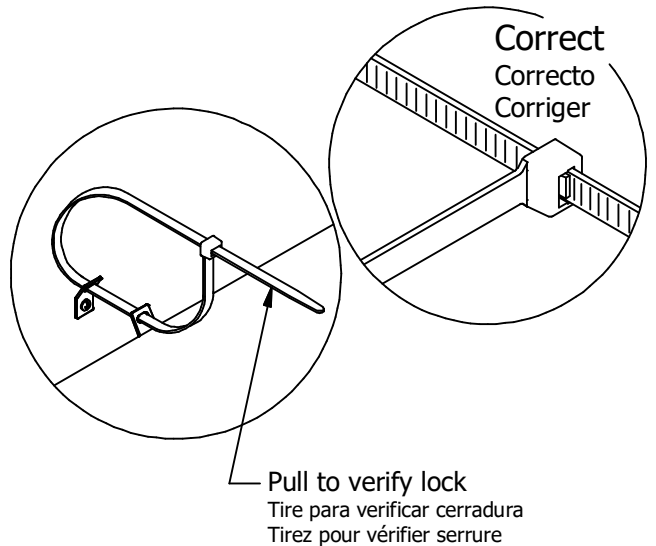
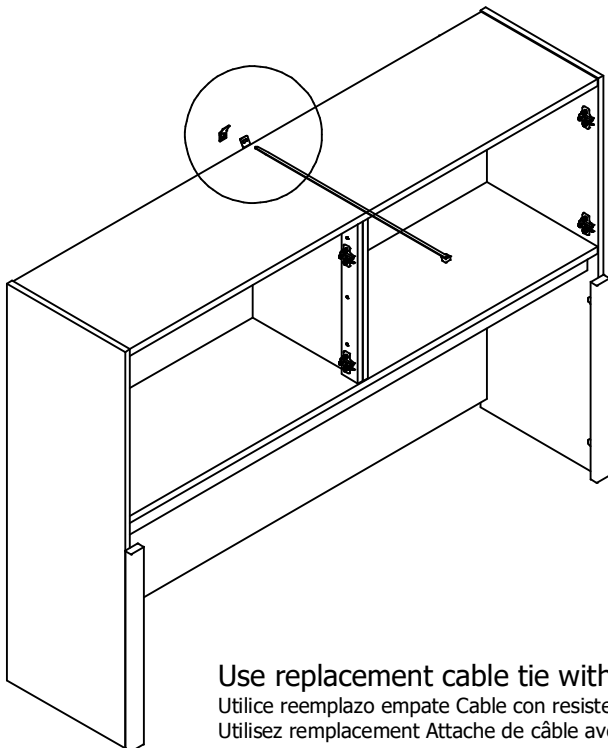
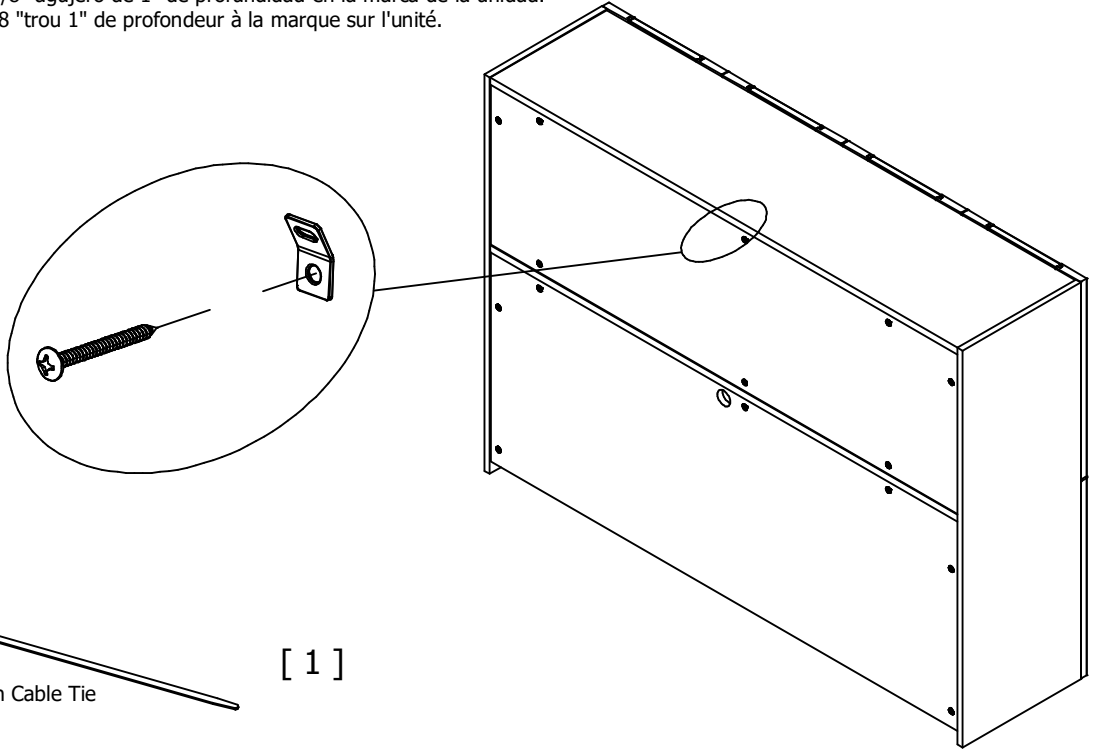
Drill 1/2" hole 1" deep at mark on wall.
 Taladro 1/2 "agujero 1" de profundidad en la marca en la pared.
 Percer 1/2 "trou de 1" de profondeur à la marque sur le mur.



Have an assembly question or need a replacement part? Just call
1-800-950-4782, we are here to help.

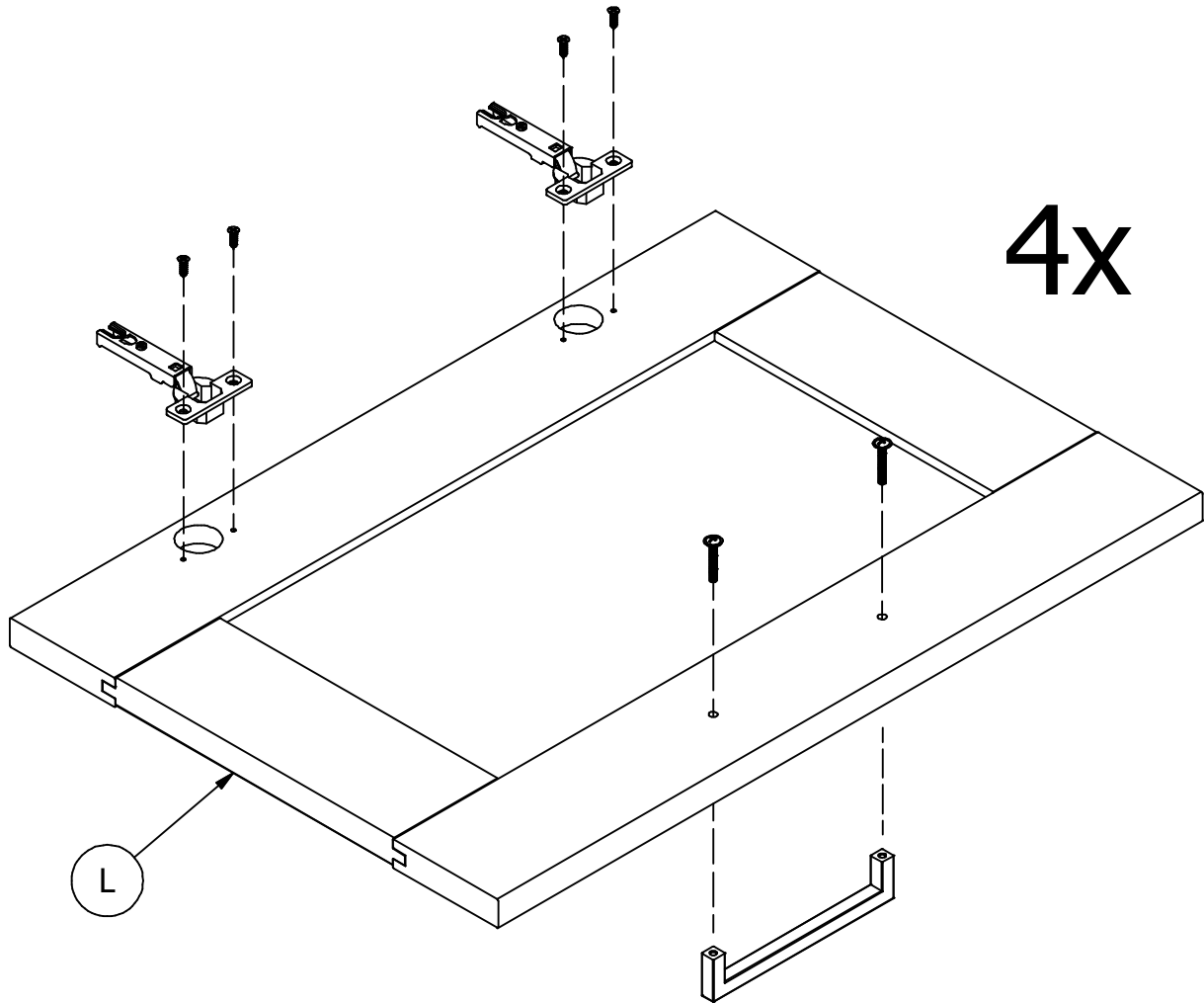
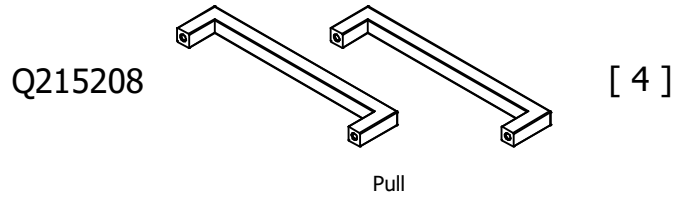
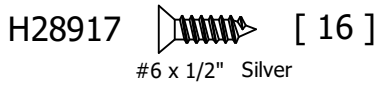
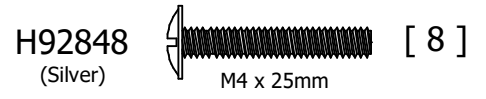
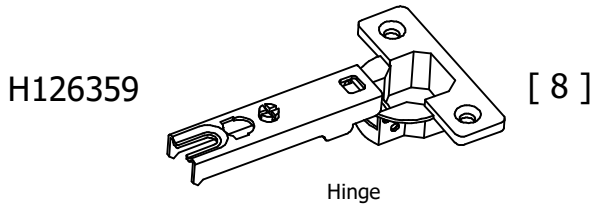


Drill 1/8" hole 1" deep at mark on unit.
Taladro 1/8 "agujero de 1" de profundidad en la marca de la unidad.
Perçer 1/8 "trou 1" de profondeur à la marque sur l'unité.



Use replacement cable tie with minimum breaking strength of 120lbs.
Utilice reemplazo empate Cable con resistencia a la rotura mínima de 120 libras.
Utilisez remplacement Attache de câble avec une force de rupture minimale de 120 lbs.

Have an assembly question or need a replacement part? Just call
1-800-950-4782, we are here to help.



Have an assembly question or need a replacement part? Just call
1-800-950-4782, we are here to help.

STEP 25

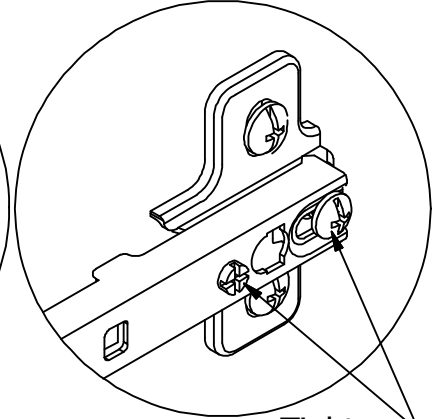
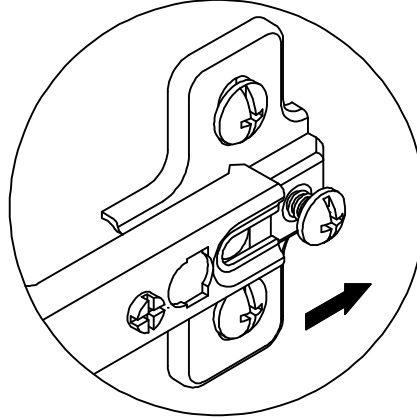
Install Doors

A215587

Scan QR Code to Watch Video on:

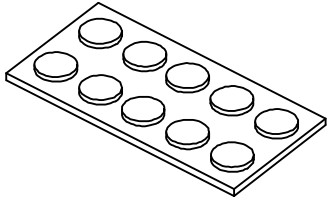


How to Adjust Door Hinges

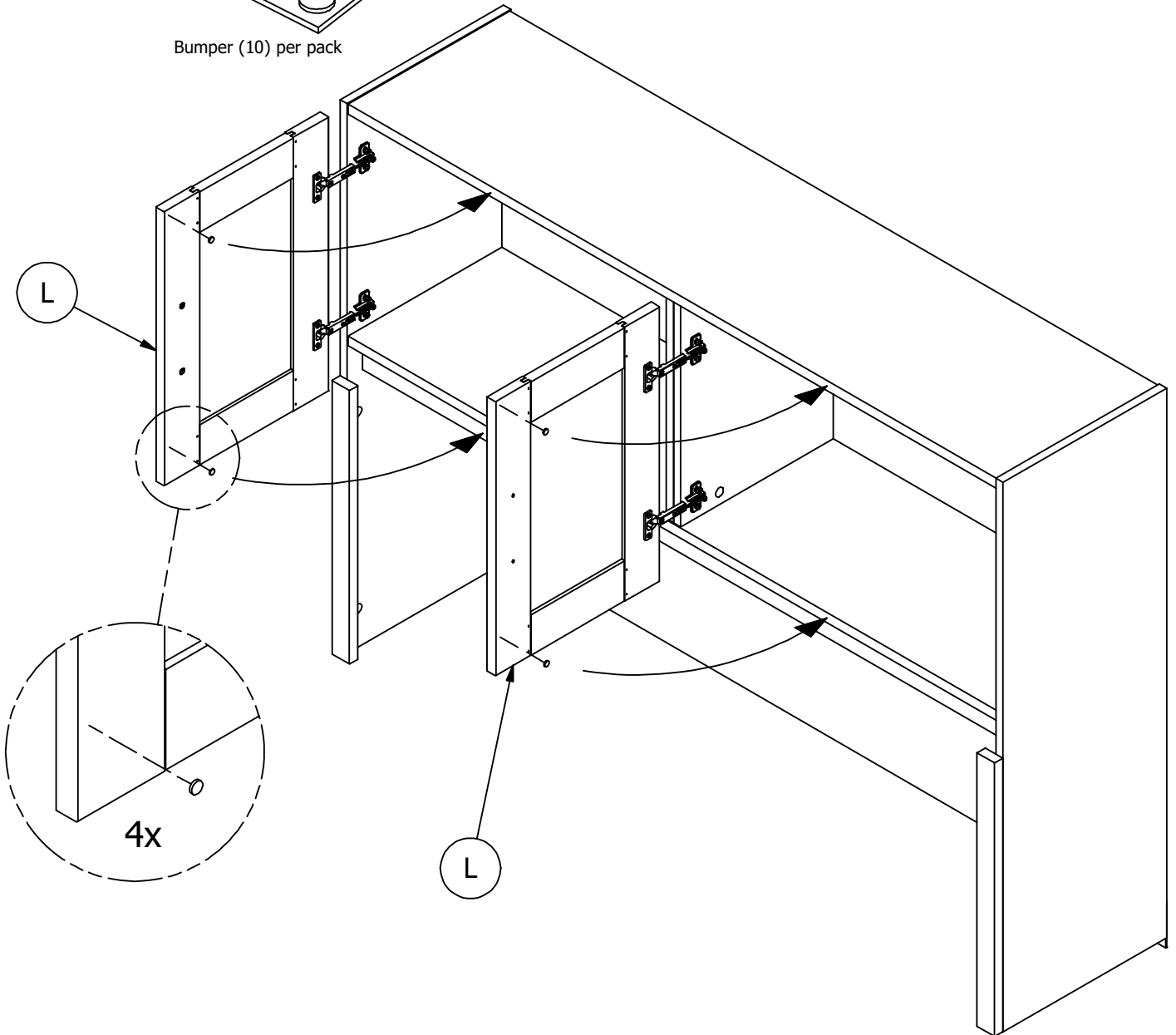


Tighten
Apretar
Serrer

H215406



Bumper (10) per pack



Have an assembly question or need a replacement part? Just call **1-800-950-4782**, we are here to help.

STEP 26

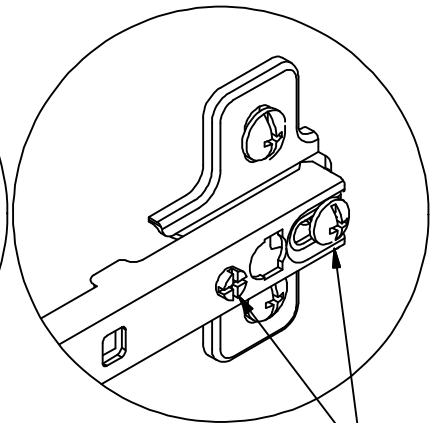
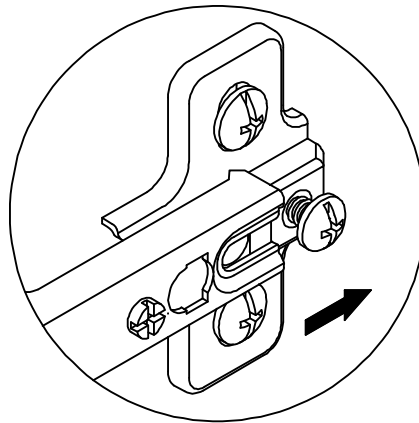
Install Doors

A215587

Scan QR Code to Watch Video on:

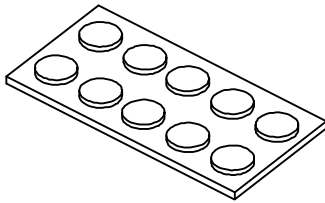


How to Adjust Door Hinges

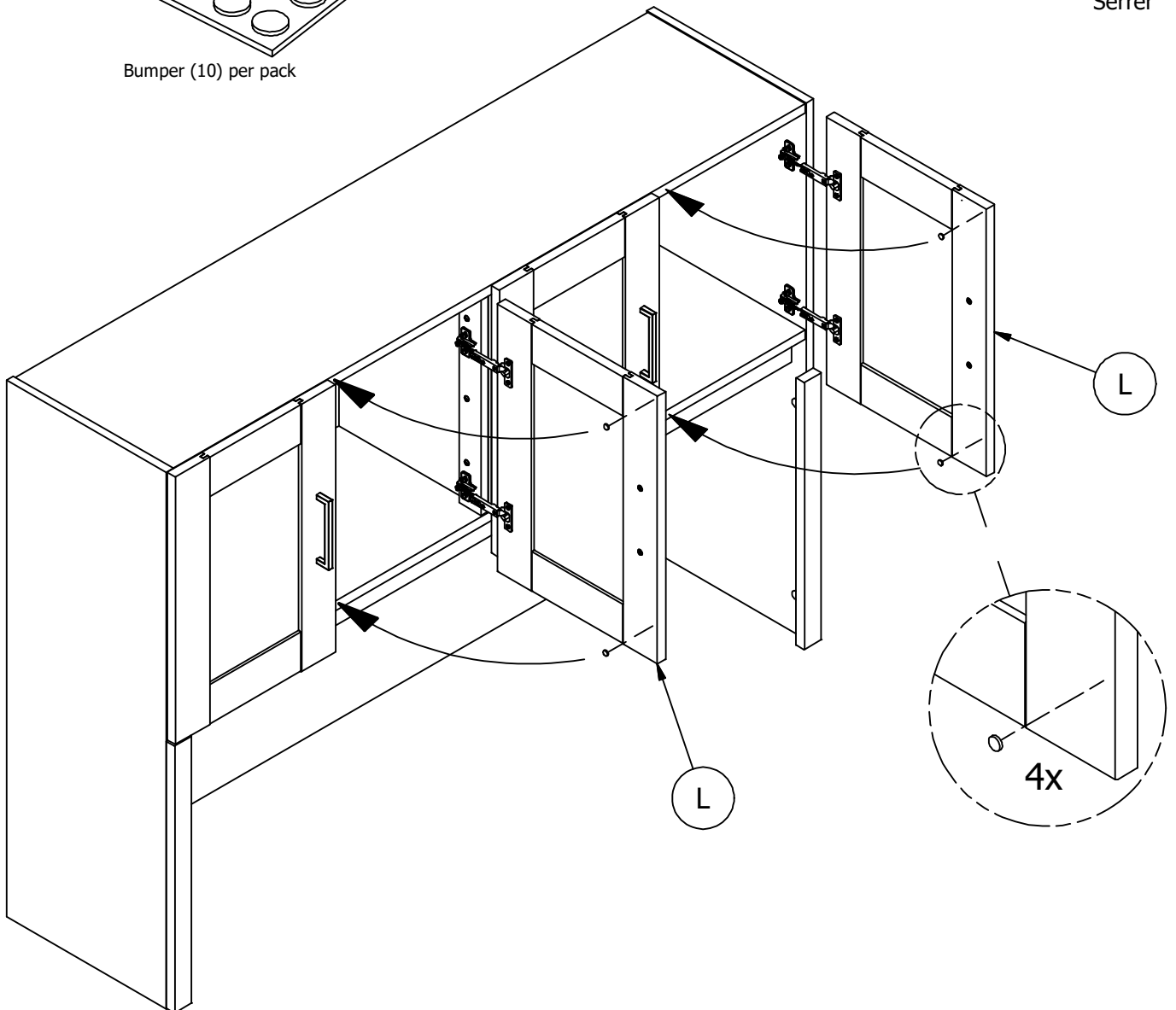


Tighten
Apretar
Serrer

H215406



Bumper (10) per pack



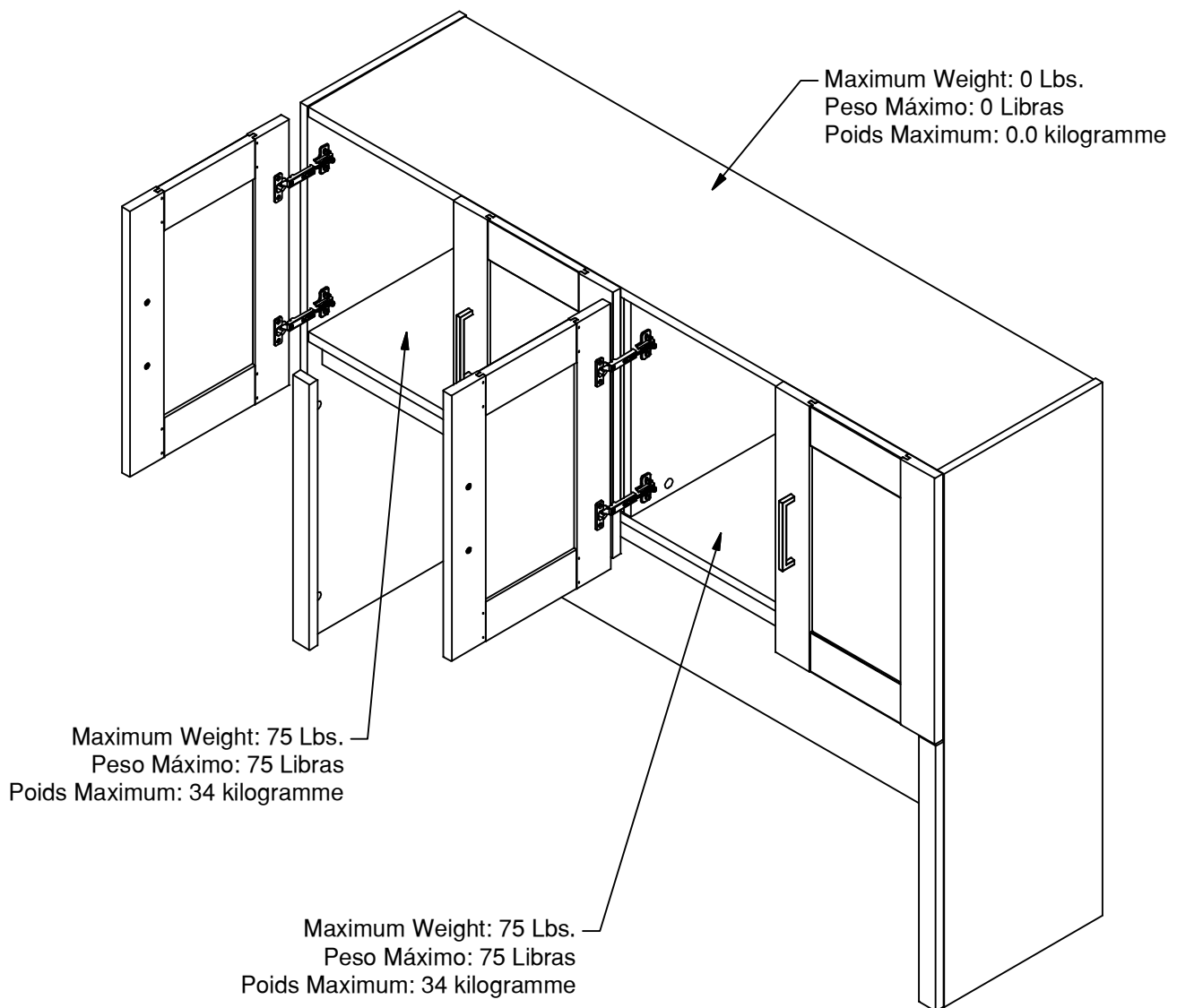
Have an assembly question or need a replacement part? Just call **1-800-950-4782**, we are here to help.

Scan QR Code to
Watch Video on:



How to Clean
the Surface

Gently clean surfaces with a damp sponge eraser.



Congratulations! You are all done. If you have any questions or concerns, please call.

Have an assembly question or need a replacement part? Just call
1-800-950-4782, we are here to help.

| HHH172WH | | |
|------------|-------------|-----|
| LABEL CODE | PART NUMBER | QTY |
| A | W215574 | 1 |
| B | W215575 | 1 |
| C | W215576 | 1 |
| D | W215577 | 1 |
| E | W215578 | 1 |
| F | W215579 | 1 |
| G | W215580 | 1 |
| H | W215581 | 2 |
| J | W215582 | 1 |
| K | W216179 | 1 |
| L | S215583 | 4 |

