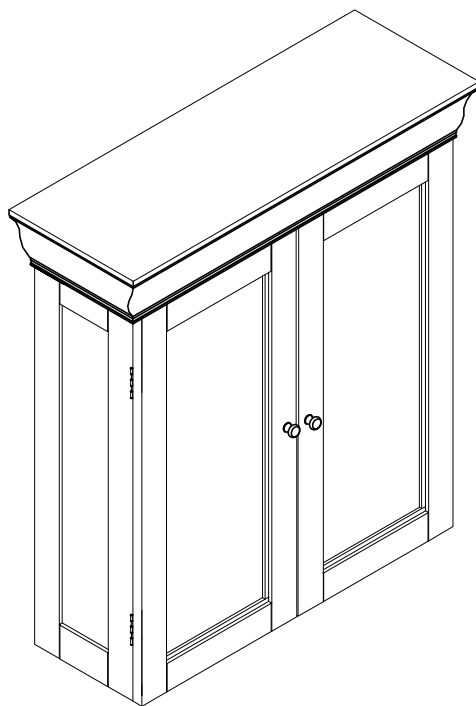


# ASSEMBLY INSTRUCTIONS

## Stratford Wall Shelf



Please provide the following information when contacting for parts or questions: the name of the company you purchased from, the UPS/FedEx tracking number.

This product comes with a 1 year warranty. Products purchased second hand/used are not covered under the warranty.

### ASSEMBLY INSTRUCTIONS-IMPORTANT

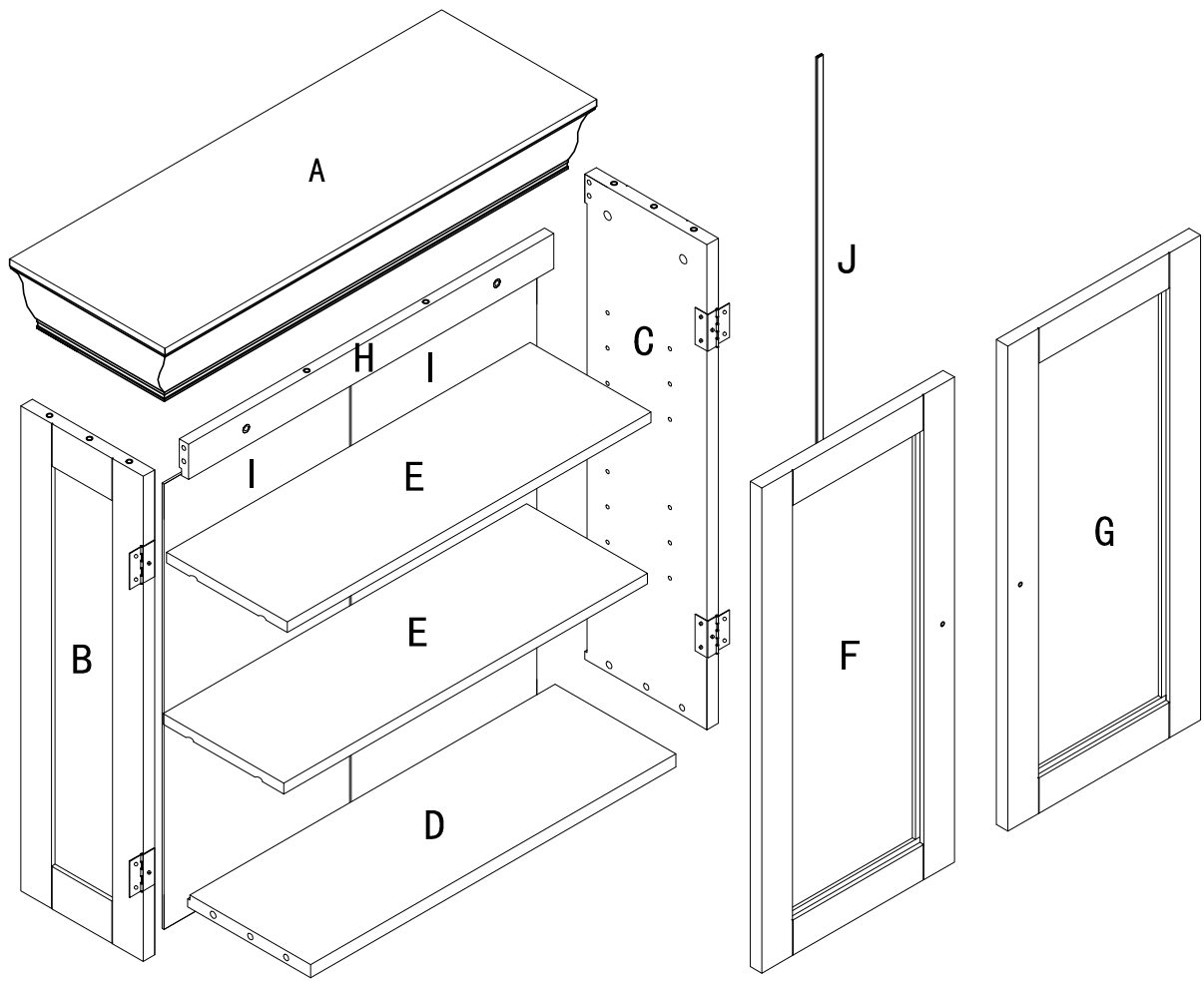
Carefully unpack & identify each component before attempting to assemble. Refer to parts list. Please take care when assembling the unit and always set the parts on a clean, soft surface. If you require any assistance with assembly, parts, please call the company you place order with or please email to: [service@eleganthf.net](mailto:service@eleganthf.net)

### INSTRUCCIONES PARA ARMAR-IMPORANT:

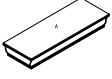

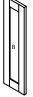



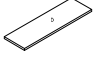
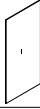


Desempaque cuidadosamente e identifique cada componente antes de tartar de empezar su ensambladura. Verifique la lista de partes. Por favor tenga cuidado cuando arme la unidad y siempre coloque las piezas sobre una superficie plana, suave y limpia. Si necesita ayuda con el armado, envíe un correo electzórico a [service@eleganthf.net](mailto:service@eleganthf.net)

### DIRECTIVES DE MONTAGE-IMPORTANT:



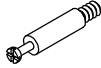

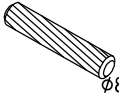

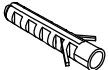
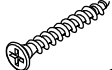
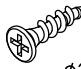
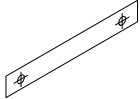

Avant de commencer l' assemblage, déballez délicatement toutes les pièces et repérez-les sur la liste des pièces. Procédez avec soins durant l' assemblage et posez toujours les pièces sur une surface proper, douce et lisse. sie vouo plait e-mail á [service@eleganthf.net](mailto:service@eleganthf.net)



# COMPONENTS

PART	FIGURE	DESCRIPTION	QTY	PART	FIGURE	DESCRIPTION	QTY
A		TOP PANEL	1PC	F		LEFT DOOR	1PC
B		LEFT SIDE PANEL	1PC	G		RIGHT DOOR	1PC
C		RIGHT SIDE PANEL	1PC	H		UPPER RAIL	1PC
D		BOTTOM PANEL	1PC	I		BACK PANEL	2PCS
E		ADJUSTABLE SHELF	2PCS	J		PLASTIC BAR	1PC

# HARDWARE & TOOLS

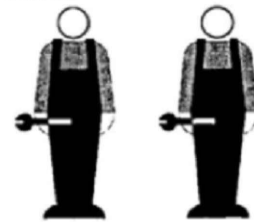
PART	FIGURE	DESCRIPTION	QTY	PART	FIGURE	DESCRIPTION	QTY
1	 ø15*12	CAM LOCK	8PCS	7		BOLT	2PC
2		CAM BOLT	8PCS	8		SHELF PIN	8PCS
3	 ø8*30	WOODEN DOWEL	10PCS	10	 ø3*12 D=7	SCREW	14PCS
4		ANCHOR	2PCS	12	 ø4*35	SCREW	2PCS
5	 ø3*12	SCREW	8PCS			TEMPLATE PAPER	
6		KNOB	2PC				

## TOOL NEEDED:



**PHILIPS SCREWDRIVER REQUIRED  
- NOT INCLUDED**

## SUGGESTION:



**TWO PEOPLE FOR ASSEMBLING**



## WARNINGS:

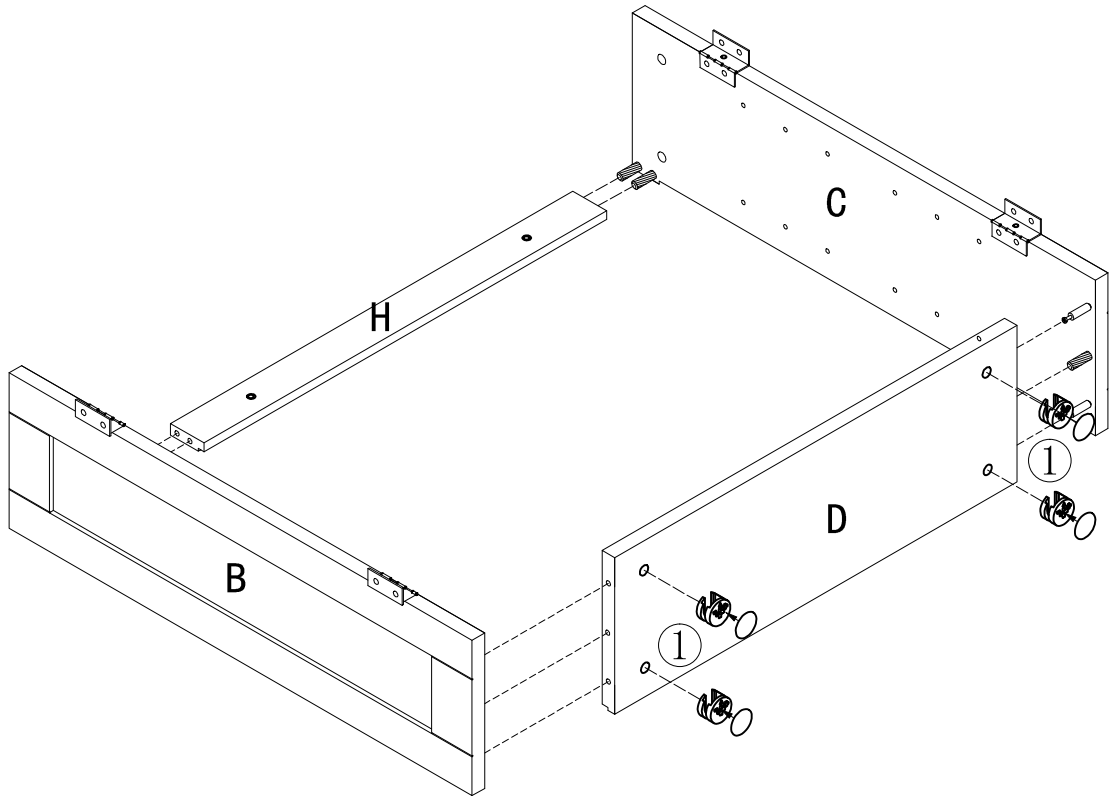
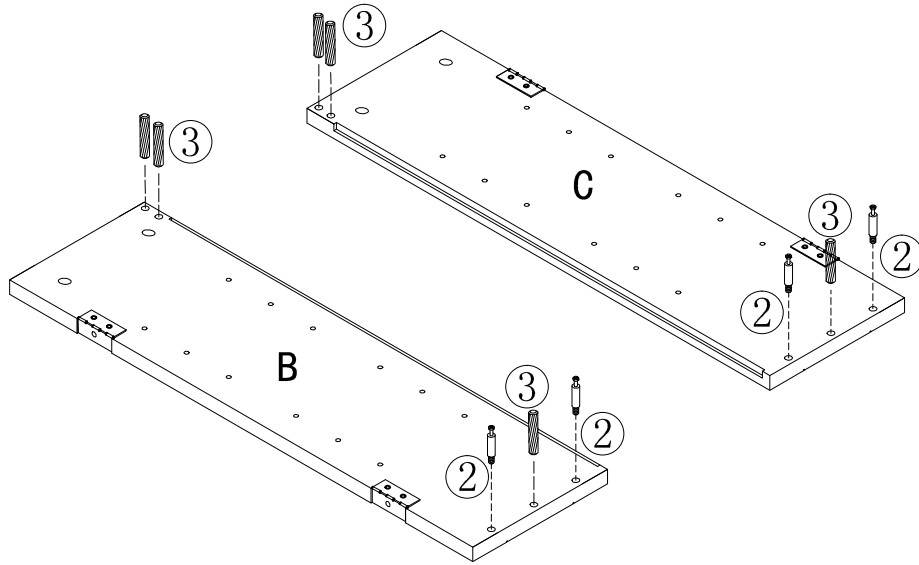
1. DO NOT LET ANY SHARP OBJECTS TOUCH OR RUB THE SURFACE OF THE PRODUCT.
2. WHEN ASSEMBLING, DO NOT LET CHILDREN PLAY AROUND THE WORKING AREA.
3. PLEASE CONFIRM ALL PARTS ARE CORRECT BEFORE STARTING THE ASSEMBLY PROCESS.
4. DO NOT TIGHTEN ALL BOLTS AND SCREWS COMPLETELY UNTIL THE ENTIRE UNIT HAS BEEN ASSEMBLED AND SET UP.

# 1

1  
4 PCS  $\phi 15 \times 12$

2  
4 PCS

3  
6 PCS  $\phi 8 \times 30$



## STEP 1:

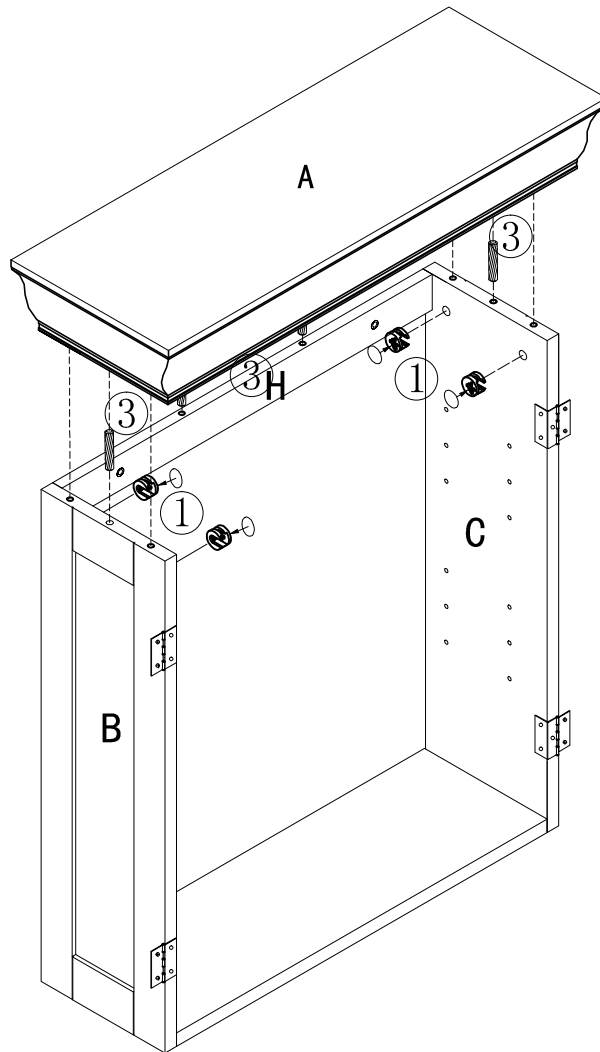
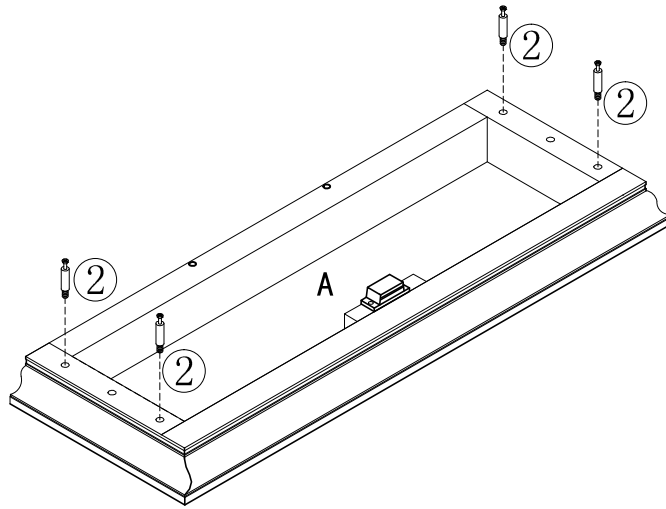
- 1.Screw cambolts (2) and insert dowels (3) to panels B& C.
- 2.Attach rail H & panels D to panel B & C and secure with camlocks (1).

# 2

1  
4 PCS  $\phi 15 \times 12$

2  
4 PCS

3  
4 PCS  $\phi 8 \times 30$



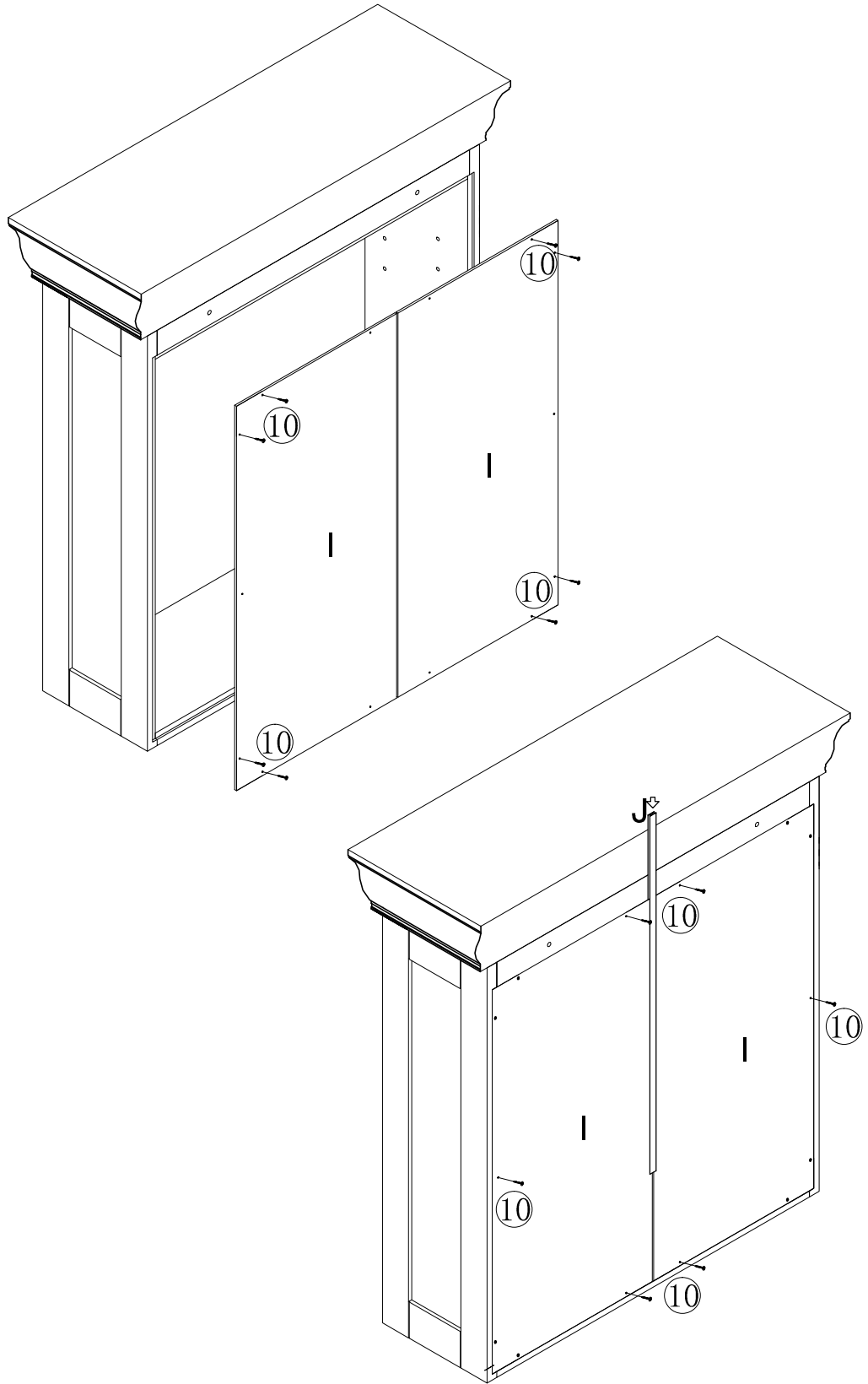
## STEP 2:

1. Screw cambolts (2) to panel A.
2. Insert dowels (3) to the tops of panels B & C and rail H.
3. Attach panel A to panels B & C and rail H and secure with camlocks (1).

# 3



14 PCS  $\phi 3 \times 12$  D=7





### STEP 3:

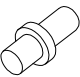
1. Attach panels I to the back of the cabinet & secure the four corners with screws (10).
2. Insert plastic bar J between the two panel Is and finish securing the panels with screw (10).

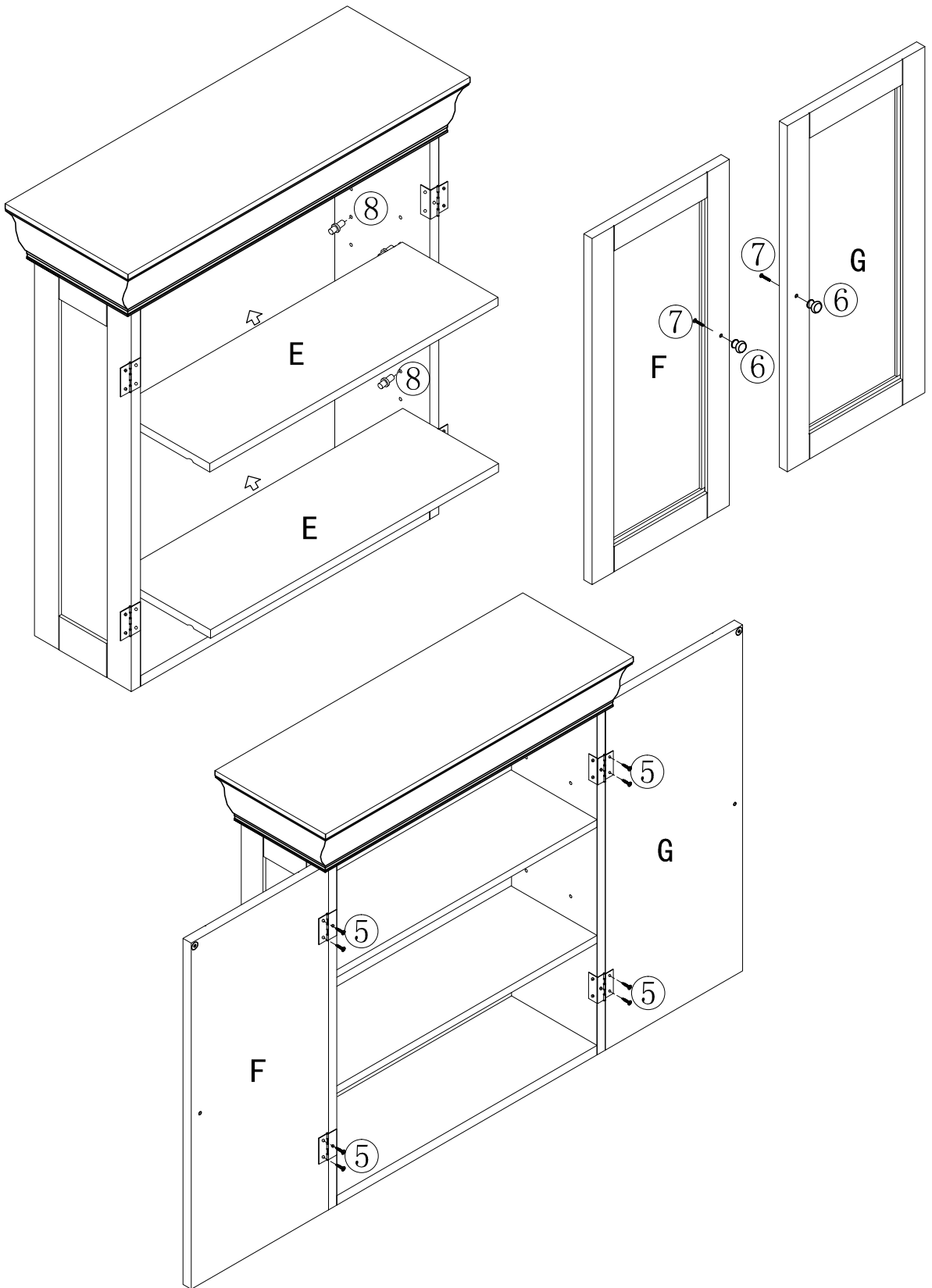
# 4

5  8 PCS  $\varnothing 3 \times 12$

6  2 PCS

7  2 PCS

8  8 PCS



## STEP 4:

1. Insert shelf pins (8) in panels B & C and rest the adjustable shelf E on the shelf pins.
2. Attach knobs (6) to door G & F with bolts (7).
3. Attach door G & F to panels B & C with screws (5).



# 5

4



2 PCS

12



2 PCS

Ø4\*35

