

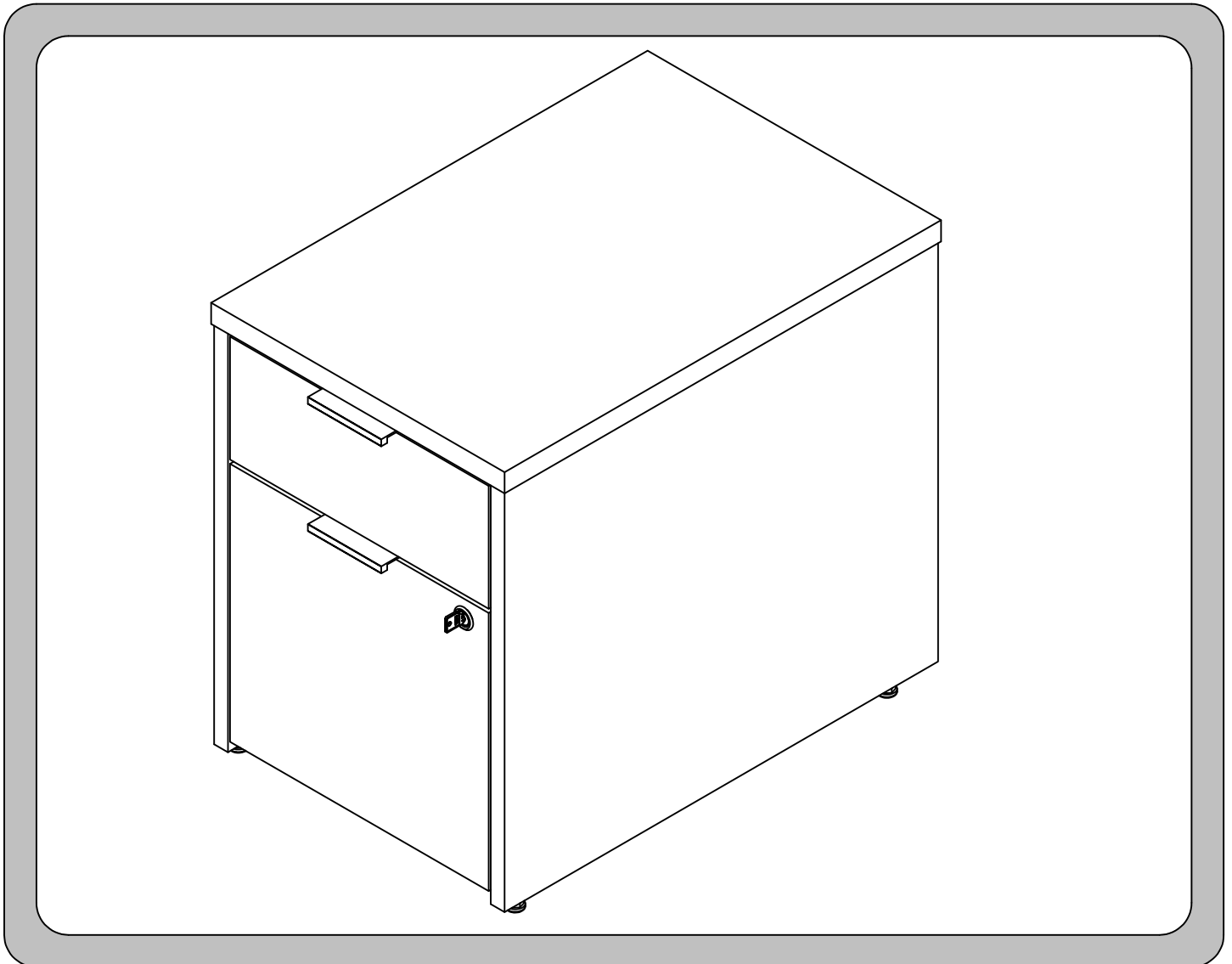
Assembly Guide



If you're having any difficulty during assembly of this product, don't hesitate to call us at 1-800-950-4782.

Our customer service experts are trained to provide step-by-step instruction and can easily replace any missing or damaged parts.

Representatives are available Monday-Friday from 8:30 a.m. to 7:30 p.m. (ET)



Lot Code #

Instruction Sheet Number A191709A

Keep manual for future reference.

For best results, keep these tips in mind:

- ① We know you want to finish this assembly as quickly as possible, but trust us: you'll have a better experience if you take it one step at a time.
- ② Give yourself some room to work near where you want the fully assembled product.
- ③ If your floor isn't carpeted, assemble this product on the empty carton to avoid scratching.
- ④ Do you have a friend who owes you a favor? Some steps may go a little easier with a second set of hands.

DOs

- ✔ Use a #2 Phillips head screwdriver (or other handheld tools as indicated)
- ✔ Wear safety glasses at all times during assembly
- ✔ Carefully follow the instructions in this guide and complete all steps in order
- ✔ Give us a call if you're having trouble with a particularly tricky step

DON'Ts

- ✘ We know power tools are quick and easy, but you shouldn't use them when assembling this product (unless otherwise specified)
- ✘ Never move your furniture with items inside or resting on the surface
- ✘ Do not attempt to use this product before all steps have been completed

Watch assembly videos right on your phone or computer!



Some steps include QR codes that link to helpful videos. Watch out for the icon below! Simply open up your smartphone camera to scan the code.

(Users of older smartphones may need to install a QR Reader.)

SCAN HERE



FOR VIDEOS

Or visit <https://bushfurniture.com/help-faq/#assembling>



IMPORTANT SAFETY INFORMATION



PLEASE READ WARNINGS

Improper use can cause safety hazards, or damage to your furniture and household items.

Warning	Do	Don't	Why it's important
Serious injury may occur.	<ul style="list-style-type: none">Assemble following all instructions using all indicated parts and hardware provided.Install every indicated nail and/or screw.Verify furniture is stable on it's own.Place heaviest items in the lower drawers.Always load the bottom drawer first.	<ul style="list-style-type: none">Do not move unit when loaded.Do not load with a television or other heavy equipment.Never exceed the maximum load limits stated in the instructions.	Improper assembly, use or loading can lead to product instability, tip-over or collapse.

Caution	Do	Don't	Why it's important
Serious injury may occur.	<ul style="list-style-type: none">Unload unit prior to moving starting with top drawer first.	<ul style="list-style-type: none">Do not move unit when loaded.	Loaded units are heavy and are not designed to be moved when loaded.

IMPORTANT SAFETY INFORMATION



PLEASE READ WARNINGS

Improper use can cause safety hazards, or damage to your furniture and household items.

Advertencia	Hacer	No	Por qué es importante
Pueden producirse lesiones graves.	<ul style="list-style-type: none">• Realice el montaje siguiendo todas las instrucciones y utilizando todas las piezas indicadas y los herrajes suministrados.• Instale todos los clavos y/o tornillos indicados.• Compruebe que el mueble sea estable por sí mismo.• Coloque los objetos más pesados en los cajones inferiores.• Cargue siempre primero el cajón inferior.	<ul style="list-style-type: none">• No mueva la unidad cuando esté cargada.• No cargue el mueble con un televisor u otro equipo pesado.• No supere los límites máximos de carga indicados en las instrucciones.	El montaje, uso o carga inadecuados pueden provocar inestabilidad, vuelco o colapso del producto.

Atención	Hacer	No	Por qué es importante
Pueden producirse lesiones graves.	<ul style="list-style-type: none">• Descargue el mueble antes de moverlo empezando por el cajón superior.	<ul style="list-style-type: none">• No mueva la unidad cuando esté cargada.	Las unidades cargadas son pesadas y no están diseñadas para ser movidas cuando están cargadas.

IMPORTANT SAFETY INFORMATION

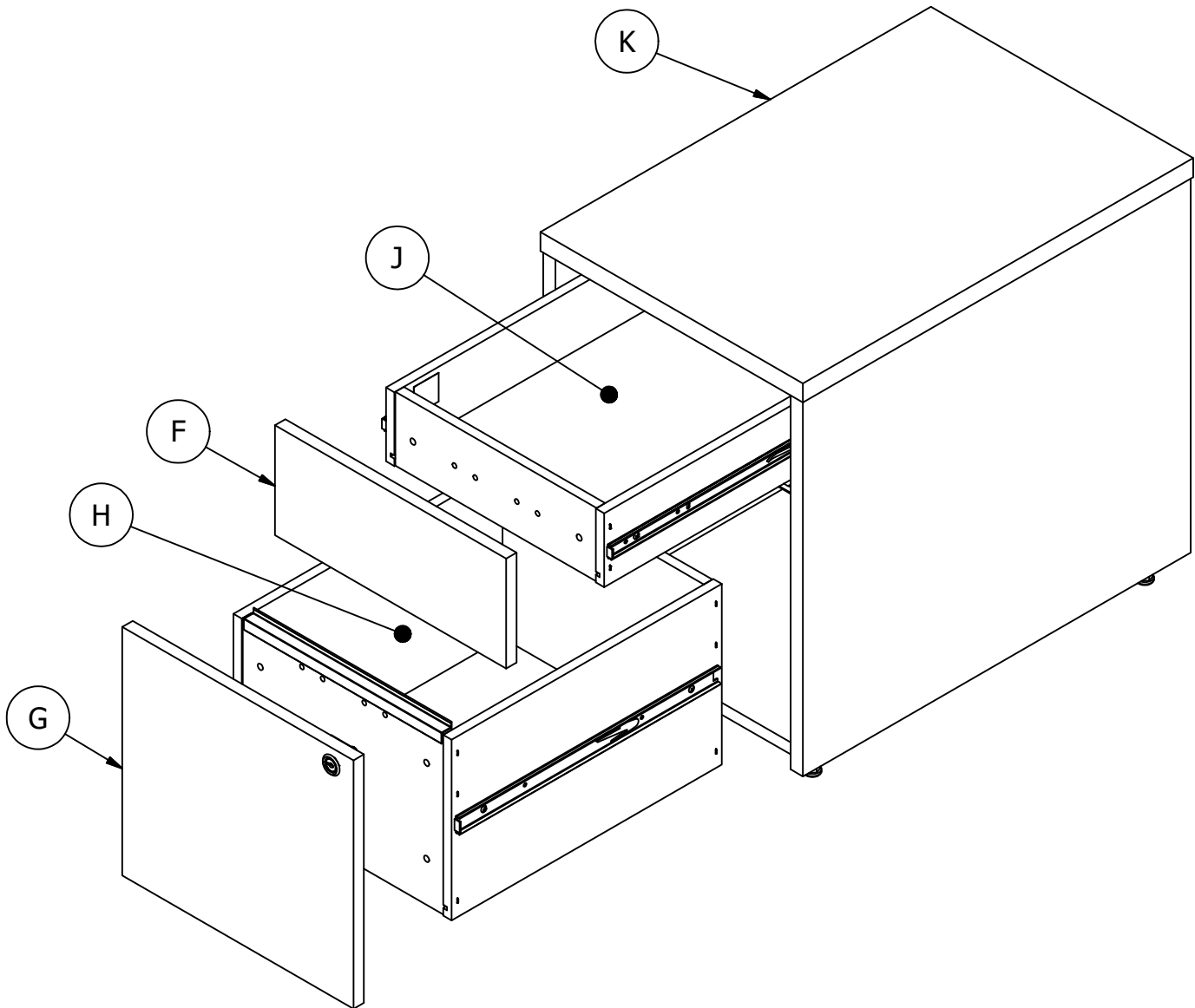
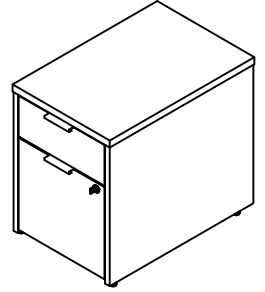


PLEASE READ WARNINGS

Improper use can cause safety hazards, or damage to your furniture and household items.


Avertissement	À faire	À ne pas faire	Pourquoi c'est important
Peut entraîner des blessures graves.	<ul style="list-style-type: none">• Assembler en suivant toutes les instructions et en utilisant toutes les pièces et la quincaillerie incluses.• Installer tous les clous et/ou toutes les vis.• Assurez-vous que le meuble soit stable par lui-même.• Placer les objets les plus lourds dans les tiroirs du bas.• Toujours remplir le tiroir du bas en premier.	<ul style="list-style-type: none">• Ne pas déplacer le meuble lorsqu'il est chargé.• Ne pas charger le meuble avec un téléviseur ou tout autre équipement lourd.• Ne pas dépasser les limites de poids maximales indiquées dans les instructions.	Un assemblage, une utilisation ou un chargement incorrects peuvent entraîner l'instabilité, le basculement ou l'effondrement du produit.

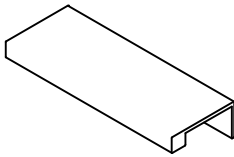
Attention	À faire	À ne pas faire	Pourquoi c'est important
Peut entraîner des blessures graves.	<ul style="list-style-type: none">• Vider le meuble avant de le déplacer en commençant par le tiroir du haut.	<ul style="list-style-type: none">• Ne pas déplacer le meuble lorsqu'il est chargé.	Les meubles chargés sont lourds et ne sont pas conçus pour être déplacés une fois chargés.

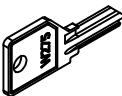


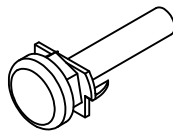
Have an assembly question or need a replacement part? Just call
1-800-950-4782, we are here to help.

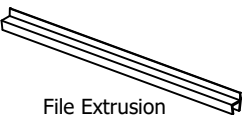
Hardware not to scale.

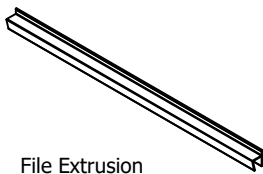
H28917  [4]
#6 x 1/2"

H191520  [2]

H215190  [1]
Key

H209601  [4]
Leveler

H94928  [1]
File Extrusion
12" (304mm)

H210967  [2]
File Extrusion
15-1/16" (383mm)

Have an assembly question or need a replacement part? Just call
1-800-950-4782, we are here to help.

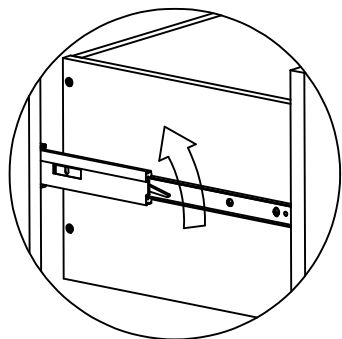
Scan QR Code to
Watch Video on:



How to Separate
and Install Drawer
Slides

For left side push lock lever up and pull-out drawer.
Para deslizable izquierdo, empuje la palanca de cerra hacia arriba y tapa del gaveta.
Pour la coulisse gauche placez le verrou vers le haut et dessus du tiroir.

Lock Lever (Left)
Palanca de Cerradura (Izquierdo)
Levier d'arrêt (Gauche)



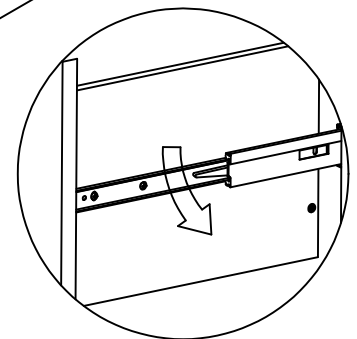
F

G

Remove
Remueva
Retirer

K

Lock Lever (Right)
Palanca de Cerradura (Derecho)
Levier d'arrêt (Droit)



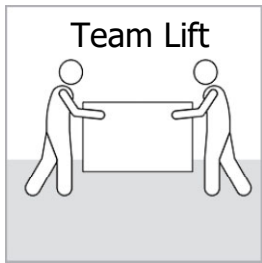
For right side push lock lever down and pull-out drawer.
Para deslizable derecho, empuje la palanca de cerrar hacia abajo y tapa del gaveta.
Pour la coulisse droite placez le verrou vers le bas et dessus du tiroir.

Have an assembly question or need a replacement part? Just call
1-800-950-4782, we are here to help.

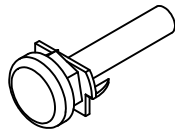
STEP 2

Install Levelers

A191709A

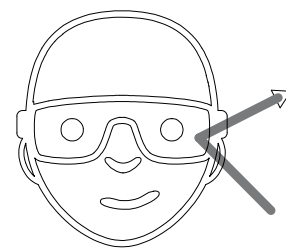
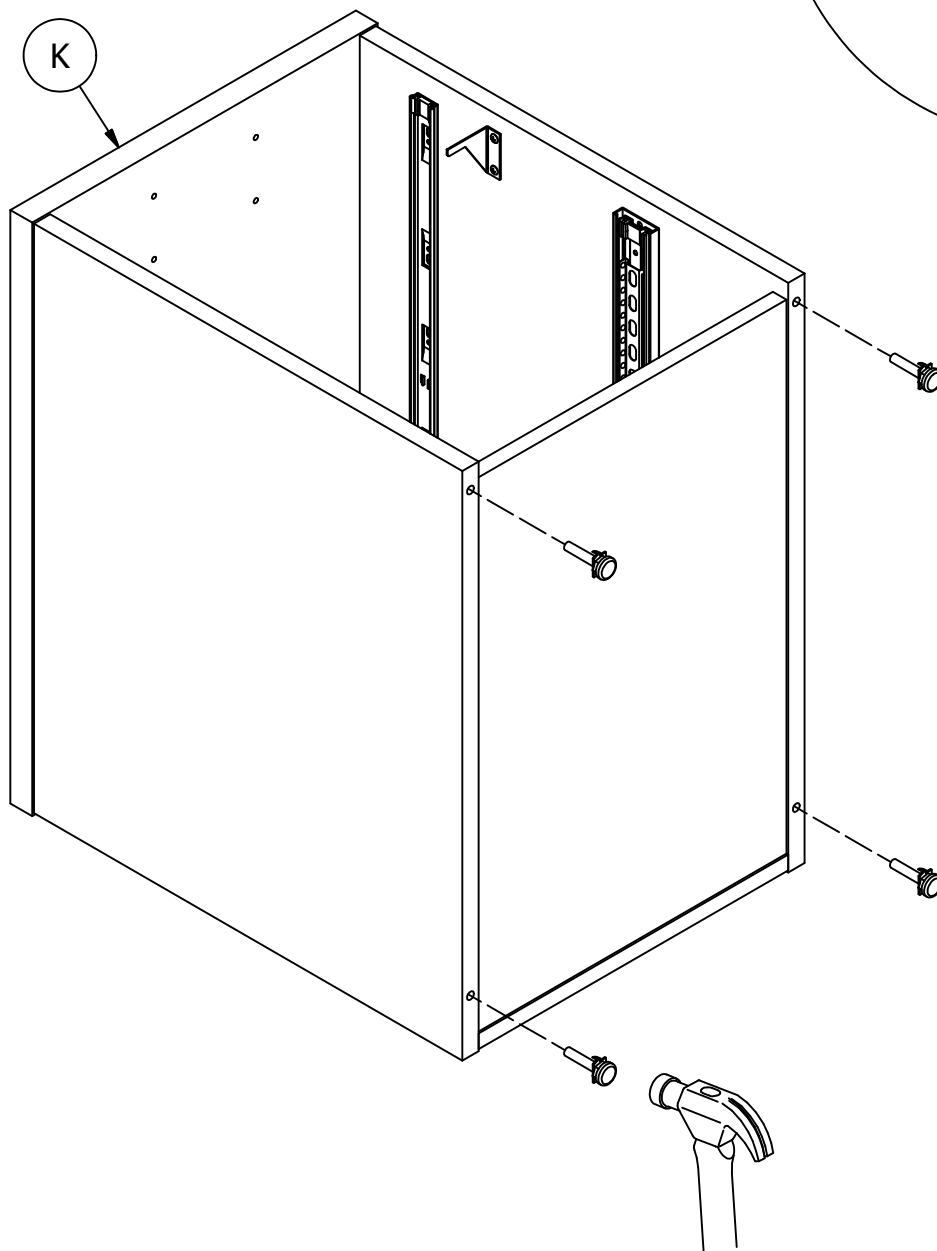
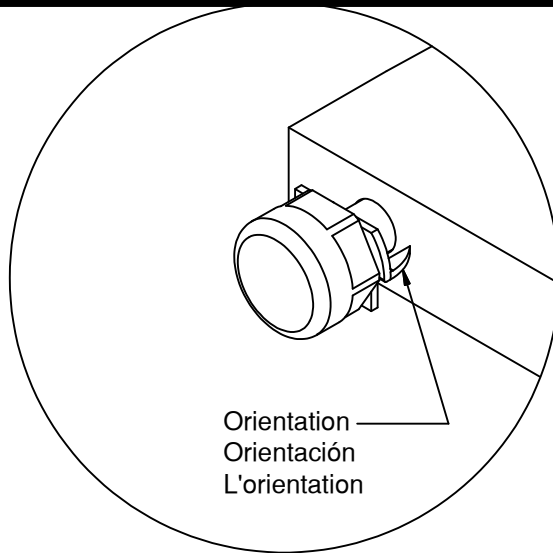


H209601



[4]

Leveler



Safety glasses
Gafas de seguridad
Lunettes de protection

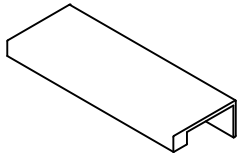
Have an assembly question or need a replacement part? Just call
1-800-950-4782, we are here to help.

STEP 3

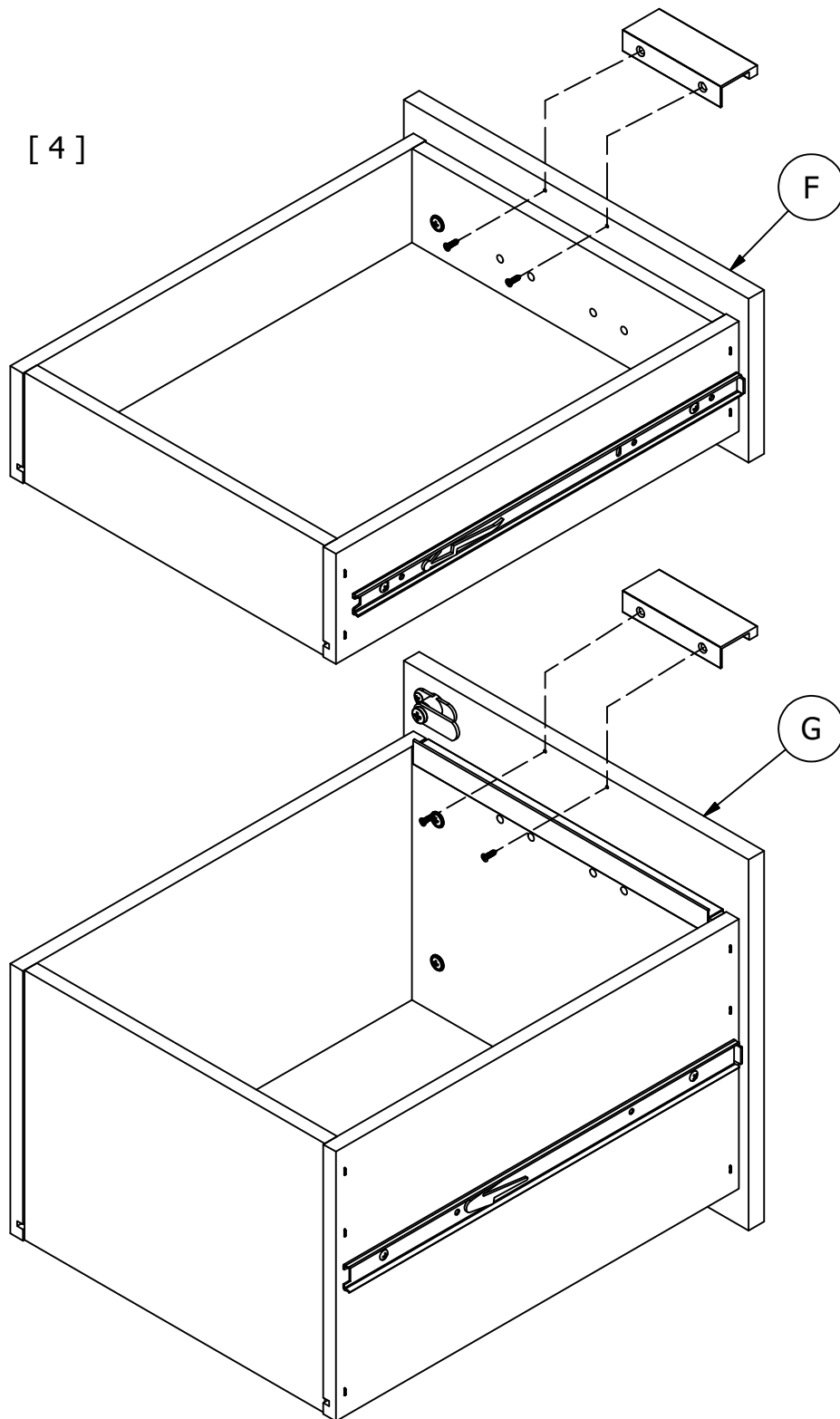
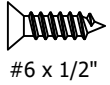
Install Hardware

A191709A

H191520 [2]



H28917 [4]
#6 x 1/2"



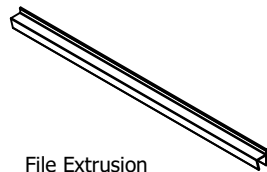
Have an assembly question or need a replacement part? Just call
1-800-950-4782, we are here to help.

STEP 4

Install Hardware

A191709A

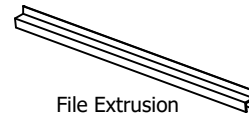
H210967



[2]

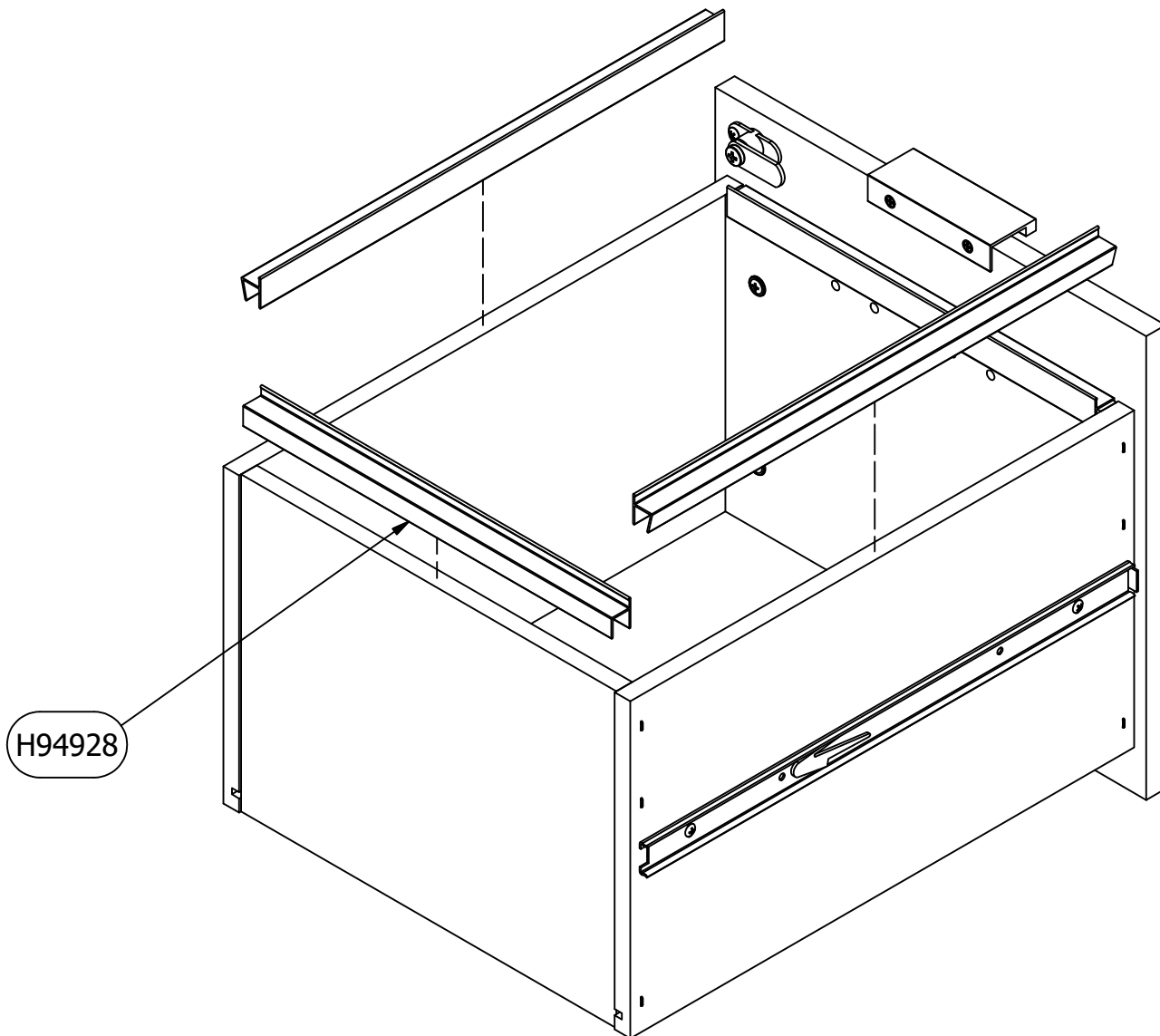
File Extrusion
15-1/16" (383mm)

H94928



[1]

File Extrusion
12" (304mm)



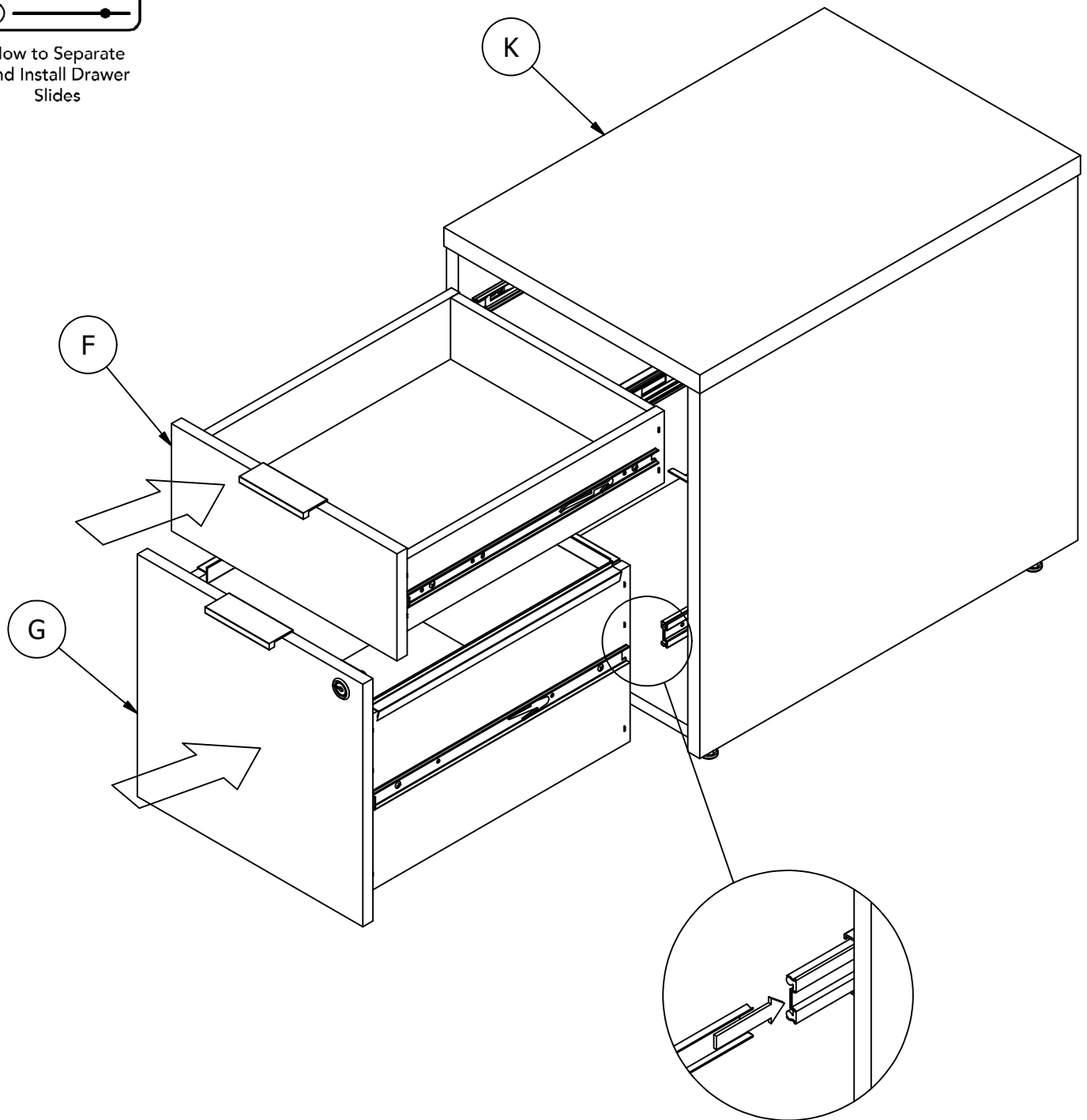
H94928

Have an assembly question or need a replacement part? Just call
1-800-950-4782, we are here to help.

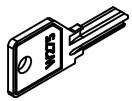
Scan QR Code to
Watch Video on:

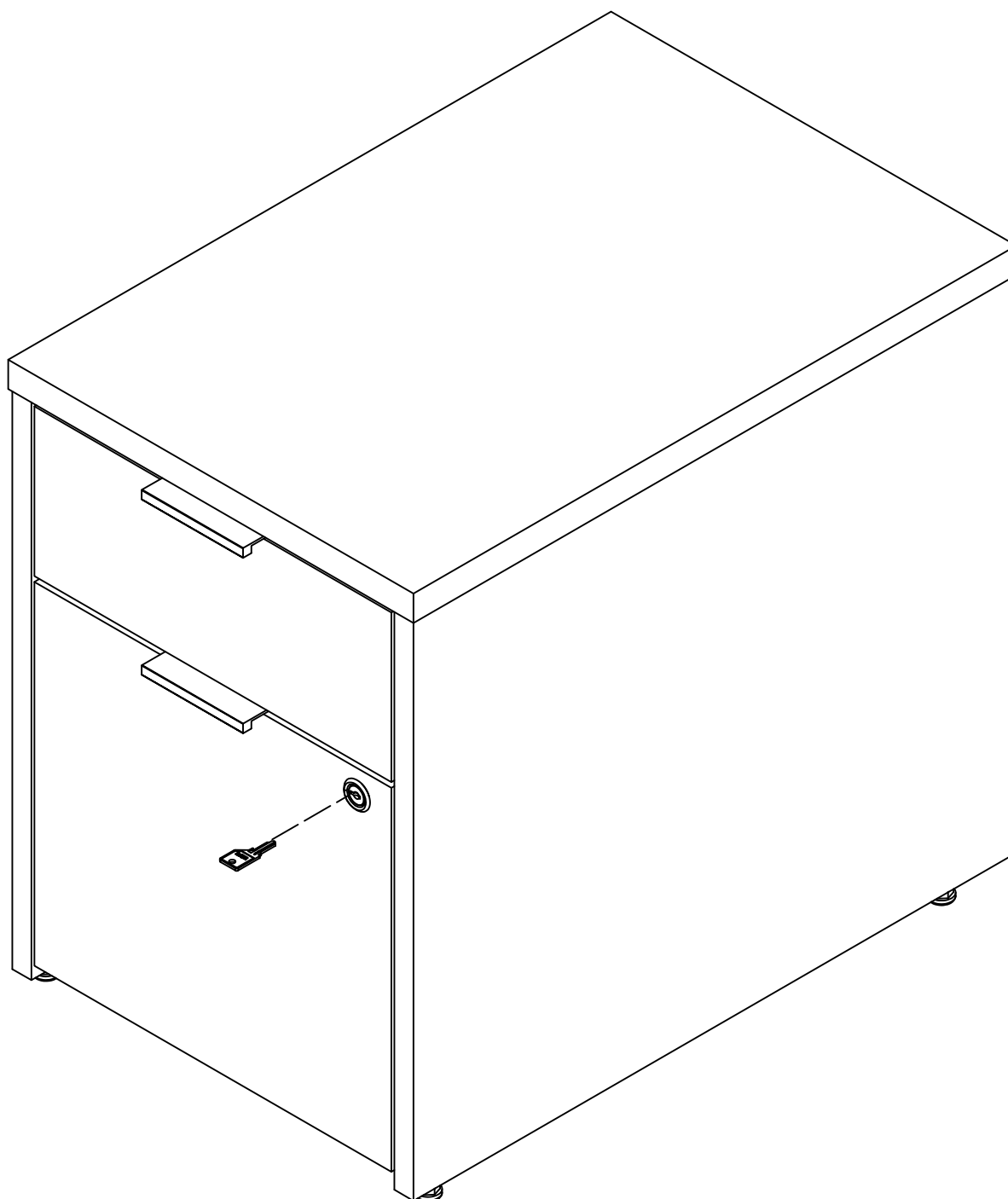


How to Separate
and Install Drawer
Slides



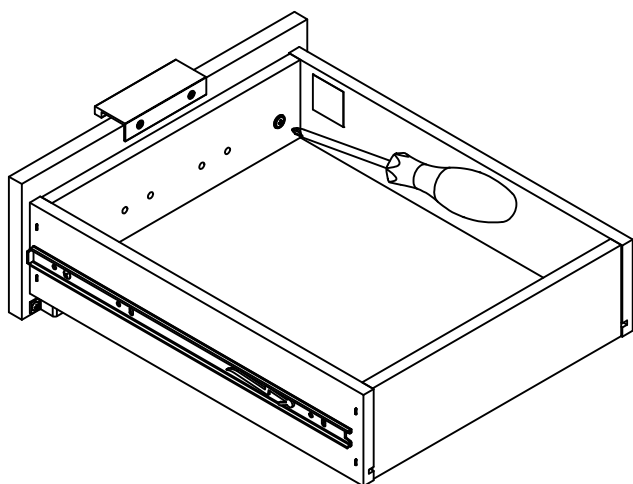
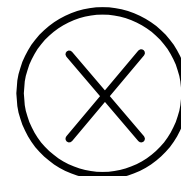
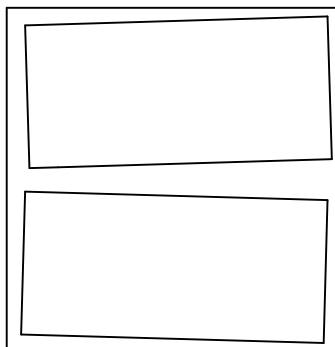
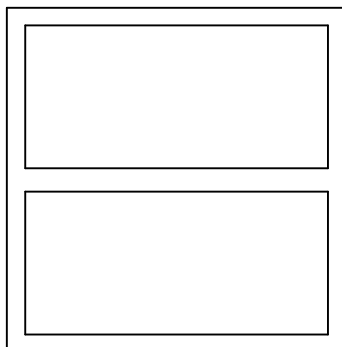
Have an assembly question or need a replacement part? Just call
1-800-950-4782, we are here to help.

H215190  [1]
Key



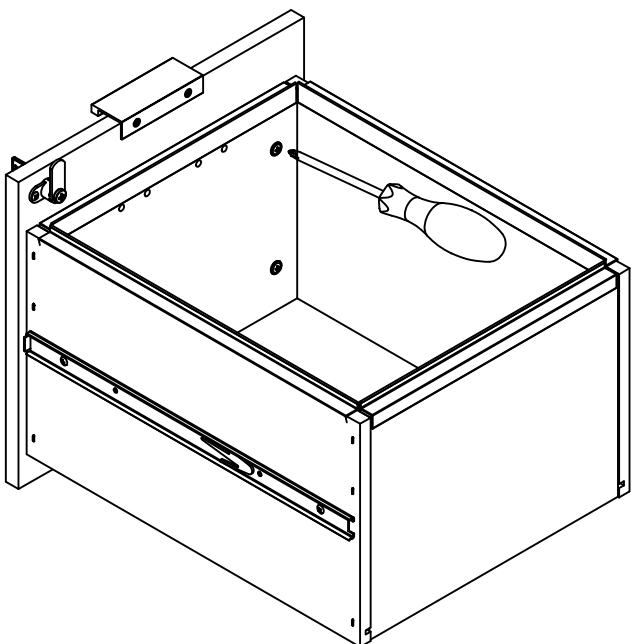
Have an assembly question or need a replacement part? Just call
1-800-950-4782, we are here to help.

DRAWER FRONT VIEW



REQUIRED TOOL: PHILLIPS SCREWDRIVER

HERRAMIENTA REQUERIDA: DESTORNILLADOR PHILLIPS
OUTIL REQUIS: TOURNEVIS CRUCIFORME



1. LOOSEN SCREWS.
2. ADJUST DRAWER FRONTS.
3. TIGHTEN SCREWS.

1. Afloje los tornillos
2. Ajustar frentes de cajón
3. Apriete los tornillos

1. Desserrer les vis
2. Ajuster les façades des tiroirs
3. Serrer les vis

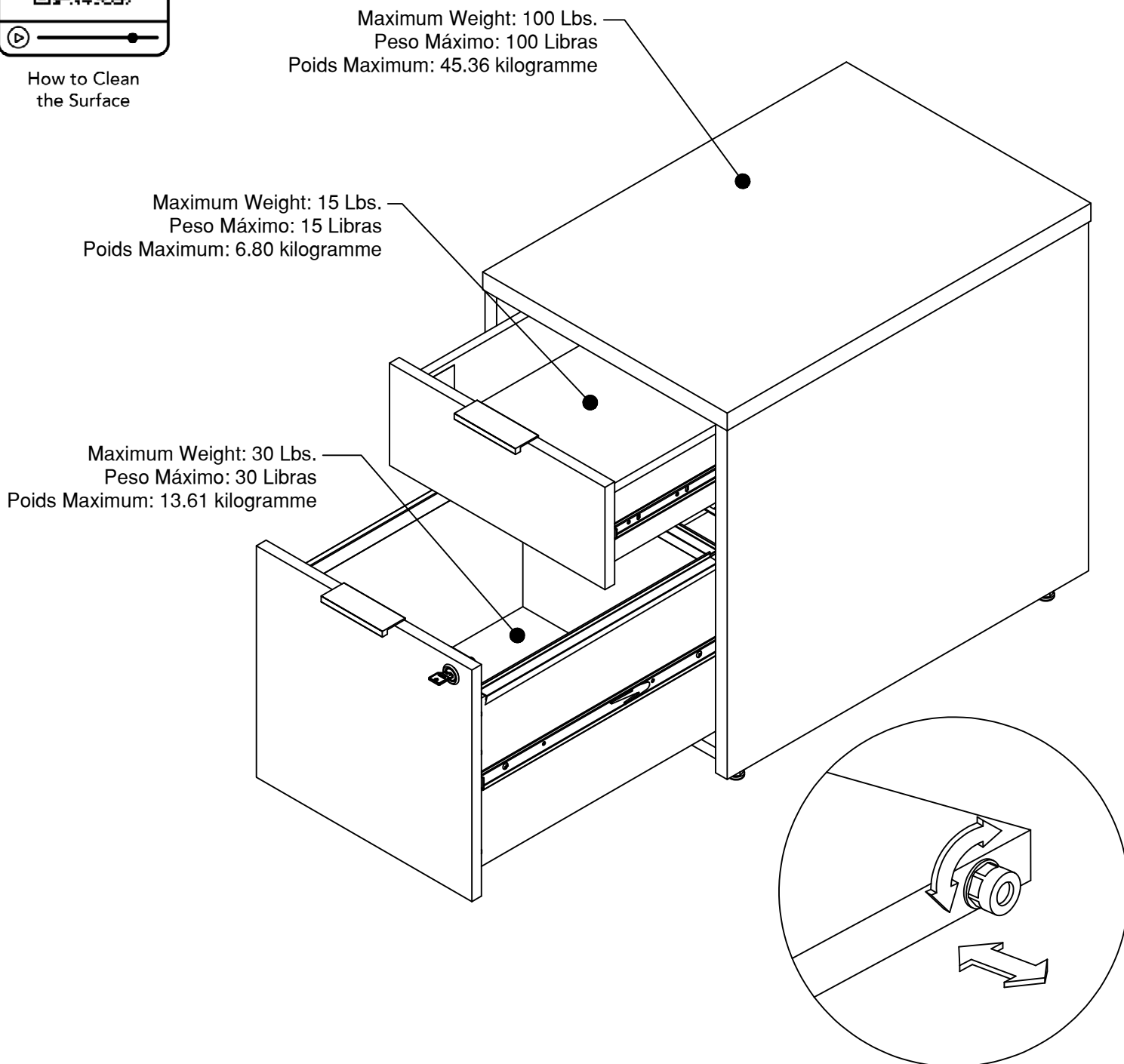
Have an assembly question or need a replacement part? Just call
1-800-950-4782, we are here to help.

Scan QR Code to Watch Video on:



How to Clean the Surface

Gently clean surfaces with a damp sponge eraser.



Maximum Weight: 100 Lbs.
Peso Máximo: 100 Libras
Poids Maximum: 45.36 kilogramme

Maximum Weight: 15 Lbs.
Peso Máximo: 15 Libras
Poids Maximum: 6.80 kilogramme

Maximum Weight: 30 Lbs.
Peso Máximo: 30 Libras
Poids Maximum: 13.61 kilogramme

Congratulations! You are all done. If you have any questions or concerns, please call.

Have an assembly question or need a replacement part? Just call **1-800-950-4782**, we are here to help.

JTF116FWWSU			
LABEL CODE	PART NUMBER	QTY	DESCRIPTION
F	W215136	1	BOX DRAWER FRONT
G	W215135	1	FILE DRAWER FRONT
H	S213308	1	File Drawer Assembly
J	S210267	1	Box Drawer Assembly
K	CASE	1	CASE

JTF116SGWWSU			
LABEL CODE	PART NUMBER	QTY	DESCRIPTION
F	W215138	1	BOX DRAWER FRONT
G	W215137	1	FILE DRAWER FRONT
H	S213308	1	File Drawer Assembly
J	S210267	1	Box Drawer Assembly
K	CASE	1	CASE

JTF116SGSU			
LABEL CODE	PART NUMBER	QTY	DESCRIPTION
F	W215138	1	BOX DRAWER FRONT
G	W215137	1	FILE DRAWER FRONT
H	S213308	1	File Drawer Assembly
J	S210267	1	Box Drawer Assembly
K	CASE	1	CASE

Have an assembly question or need a replacement part? Just call
1-800-950-4782, we are here to help.