

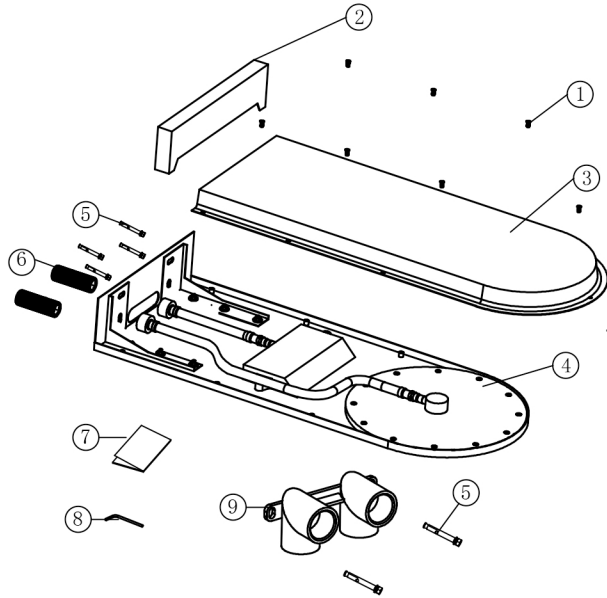
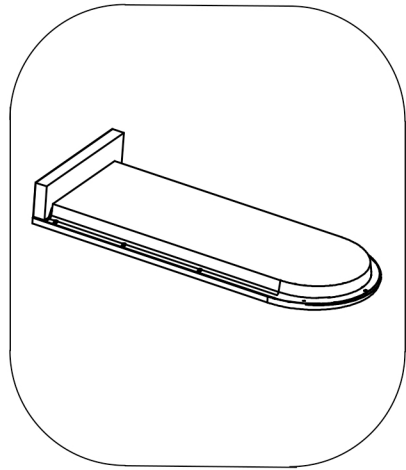


RAIN10RW

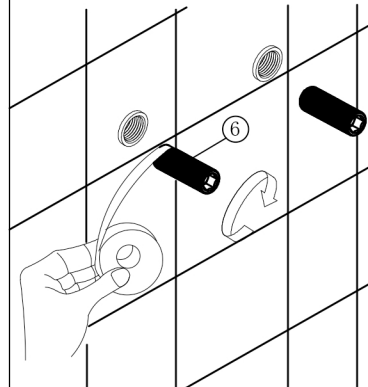
Please read this instruction carefully prior to installing shower head, Please check if all parts are completed as per following parts list, and please contact distributor or seller if any part missing.

Note: If not purchase part No.9, start install shower from step 3 while refer to inlet size in step 1.

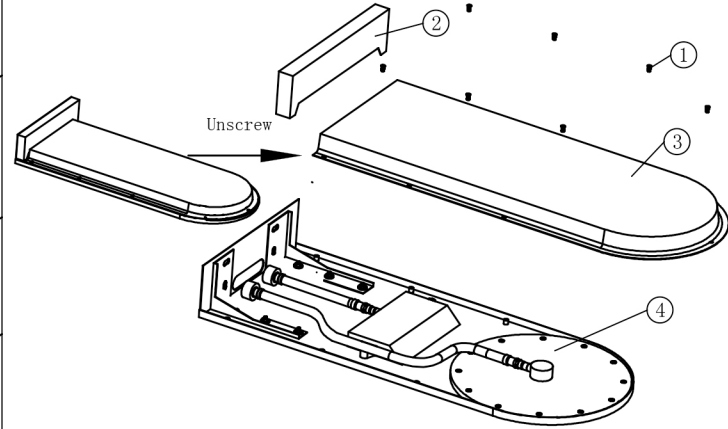
No.	Name	QTY
1	M4 screw	7
2	Wall cover	1
3	Backcover	1
4	Shower head mainbody	1
5	Expansion screws	4
6	G1/2 Connector	2
7	Installation Instructions	1
8	Allen key 2.5	1
9	Inwall body	1



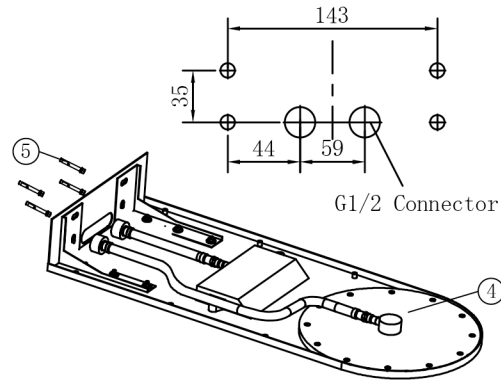
3. Connect G1/2 connector to Inwall Body with PTFE tape, ensure connector outside the wall no leakage and keep in horizontal level.



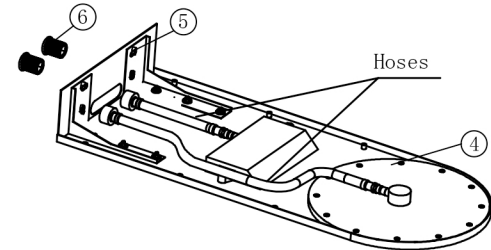
4. Unscrew the seven M4 screws with Allen Key, Slip out the wall cover No.2 and then put out the Backcover No.3.



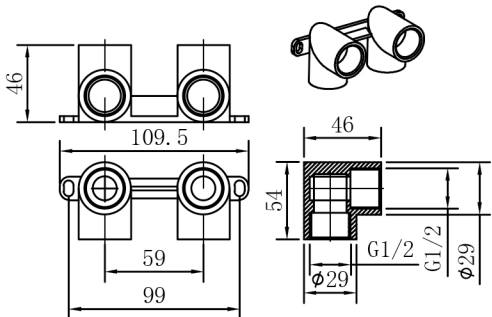
5. Drill the following holes according to location of G1/2 connector, and then fasten shower head mainbody No. 4 by Expansion screws.



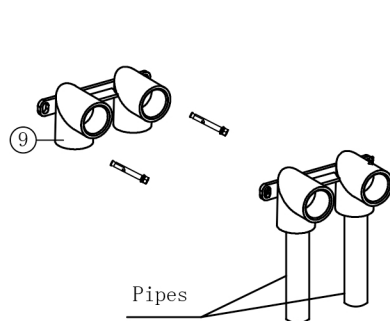
6. Tighten screws No.5, connect two hoses to G1/2 connector No.6 and guarantee no leakage. Cut the end of PTFE taped connector by cutting machine if need to make connector shorter and repeat installation from step 3.



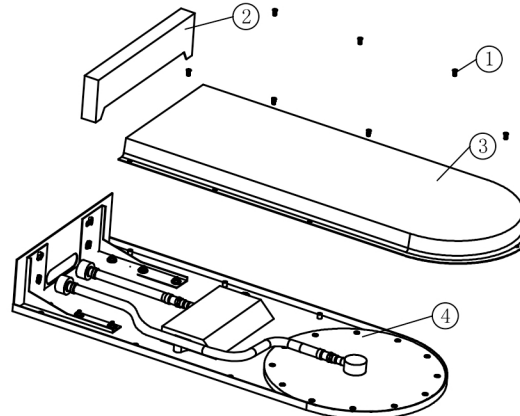
Sequences: 1. Digging wall according to flowing size of Inwall body while guarantee the backwall flat.



2. Connect pipe to inwall body, Drill holes and use two wall mounting screws to fit the Inwall Body. Seal wall if no leaking after water test.



7. Install Backcover No.3 with M4 screw and then install wall cover No.2.



Installation Finish.

