

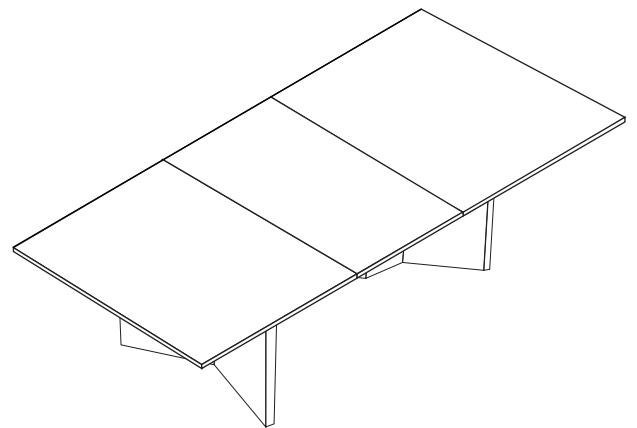
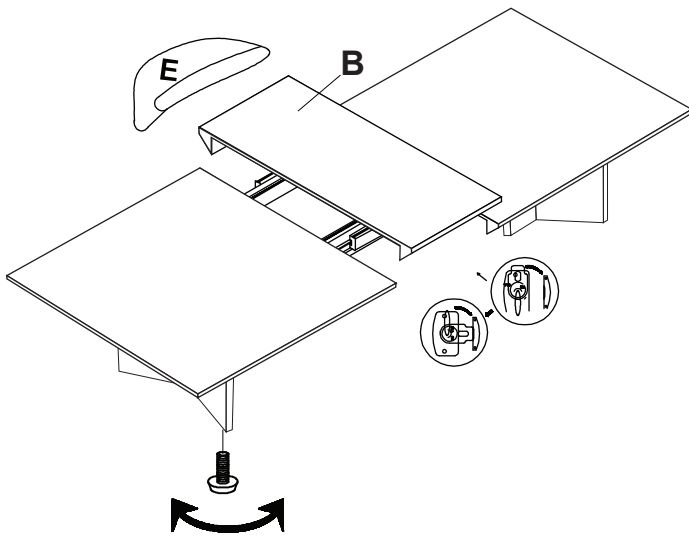
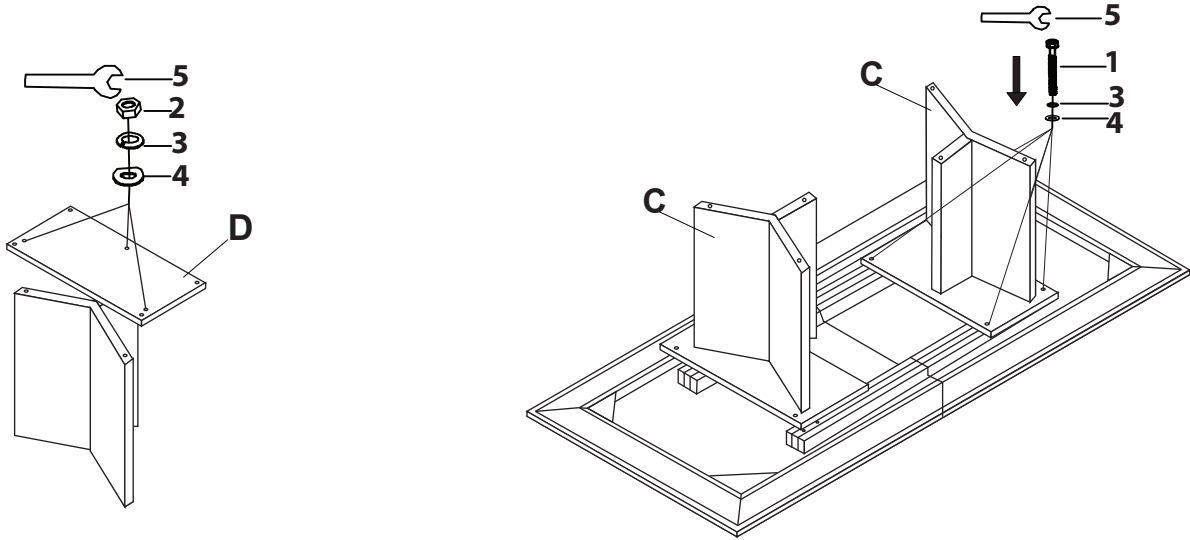






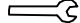
A.R.T. FURNITURE® ASSEMBLY INSTRUCTIONS


Rectangular Dining Table
269220-2556BS & 269220-2556TP

Thank you for purchasing this quality product from A.R.T. Furniture. Be sure to check all packing material for parts which may have come loose inside the carton during shipment. Identify and count all parts and compare with the parts list below.

Note: Some furniture is heavy, it is recommended that two people assembly this item to avoid injury or damage.



No.	Hardware List	Qt.
1	 5/16" X 2" Bolt	8
2	 5/16" Nut	6
3	 5/16" Lock Washer	14
4	 5/16" Flat Washer	14
5	 12mm Wrench	1

No.	Parts List	Qt.
A	 Table Top	1
B	 Table Leaf	1
C	 Pedestal	2
D	 Mounting Plate	2
E	Leaf Bag	1