

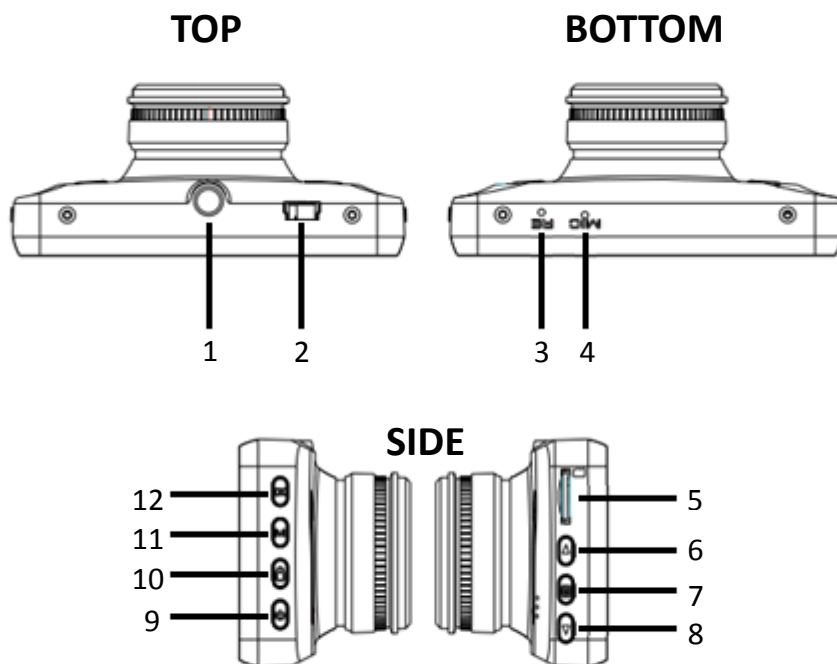
## User's Manual BCAM50

### PLEASE READ BEFORE INSTALLATION



1. This product should be installed in a location that will NOT interfere with any or a combination of: Driver's eyesight, Airbags or any other safety restraint system.
2. Keep the product away from strong magnetic fields, which may cause damage to this product.
3. The MicroSD™ card is already formatted and ready for use.
4. The SD Card in this product is not intended to store any other files. Promptly back up important videos and images.
5. When formatting/and or use of the SD card, do not disconnect the power supply, or insert/remove the SD Card. This will result in data being corrupt and or erased.
6. To prevent electric shock, do not use the device in an area where high moisture or humidity is present.
7. Do not use the BCAM50 in temperatures above 140°F or below 0°F.
8. If the vehicle interior is expected to be hot, remove the camera from the mount and place in a cool area until it's going to be used again.
9. Only use the dedicated charger and related accessories compatible with this product.
10. Dispose of properly, do NOT dispose in landfill.

# Button Description



1. Bracket Mount

2. Charge/Power & Sync Port (USB Mini)

3. Reset

4. Microphone

5. MicroSD™ Card Slot

6. “UP” Button

7. Mode Button

8. “DOWN” Button

9. Power

10. Emergency Event Record

11. “M” Menu

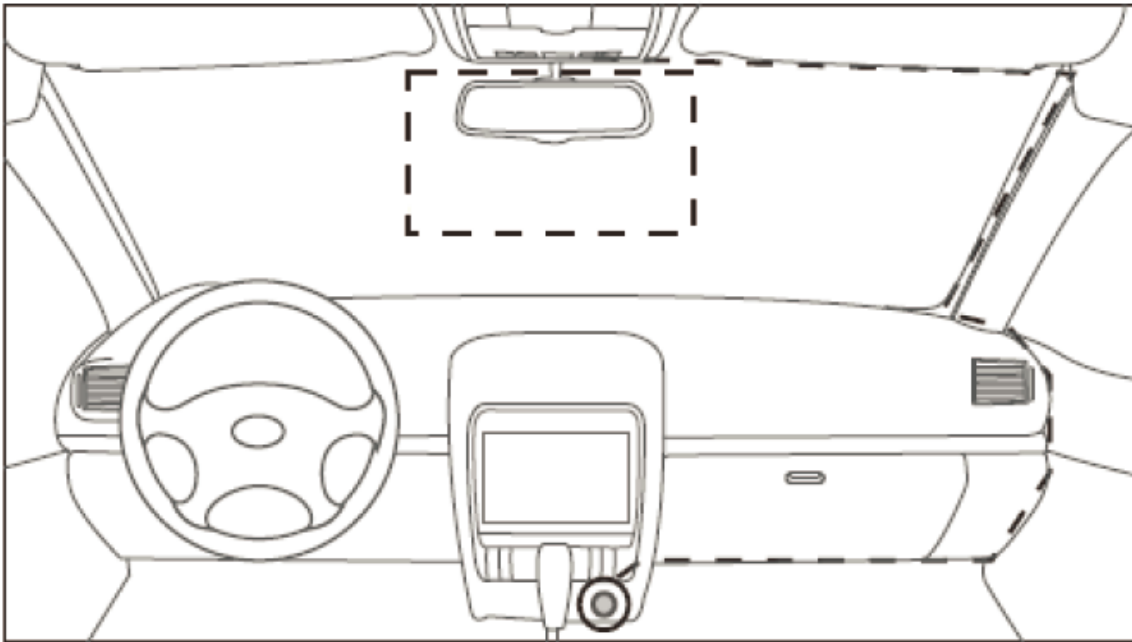
12. “OK” Button

## Installation

1. Use a lint-free cloth to wipe off dust on the location of the windshield where you want to install the product.
2. Remove the protective film from the bracket suction cup, and place it on the windshield. It is recommended the BCAM50 be placed as high and close to center as possible. Take note, the BCAM50 should not be placed in any place where it might prohibit safety or restraint systems from operating properly.
3. Attach the BCAM50 to the window bracket.
4. It is recommended to run the wire along the top of the headliner, down the passenger A-Pillar\* and toward the power input. DO NOT POWER ON yet.
5. Power on the BCAM50 and align camera on center.
6. Ensure all the adjustments on the bracket are tight and secure before the vehicle is moved.

**\* If the vehicle is equipped with an airbag(s) on the A-Pillar, carefully place the wire where it will NOT prohibit the airbags from inflating. If you are uncertain or uncomfortable with continuing the install, seek a professional installer.**

## Installation (CONTINUED)



## Button Functions

Mode Button	Video Recording	Photo	Playback
Power Button	ON/OFF	ON/OFF	ON/OFF
“M” Button	Recording in progress: Mute/Voice Recording  Stop Recording: Setting	Setting	Setting
OK Button	Start recording/stop recording	Take a photo	Confirm
DOWN Button	Zoom in	Zoom in	Next file
UP Button	Zoom out	Zoom out	Previous file
Mode Button	Stop Recording: Switch Mode	Switch mode	Switch mode
Emergency Recording	Emergency Recording		

## **Power On/Off**

### **On/Off**

1. To Power On, PRESS and HOLD the Power button for 2 sec
2. To Power Off, PRESS and HOLD the Power button for 2 sec

\*Note: The on-board battery is designed for memory settings only, it's not designed to power on for use while the camera is not plugged in to a power source.

### **Indicator LEDs**

1. Start-up: The LED will illuminate Green when the BCAM50 starts up.
2. Recording: The Green LED will flash when recording.

## Event Data Recording

The BCAM50 will begin recording every time the camera is powered ON.

1. Focal length of the lens: in the recording interface, press “UP” / “DOWN” Button to adjust the focal length of the lens, 1.0X- 5.0X, (0.5x increments)
2. Loop recording: Enabled by default, time length of the recording is set to 1min.

## Emergency Video Recording

1. Manual emergency video recording: Press the “Emergency Video Recording” Button located at bottom right of the BCAM50. (see **Page 2** for location of button)
  - a. To lock the previous segment and next segment of the current video segment as an emergency video.
  - b. Note: The timeframe of the current video is that of the loop recording.
2. Emergency Video Recording: Will enter emergency recording when the G-Sensor has reached its set value\*
  - a. To lock the previous segment and next segment of the current video segment as an emergency video.
  - b. Note: The timeframe of the current video is that of the loop recording.

**\*G-Sensor by default is set to NORMAL**

# Menu

To access the Menu:

- 1) Power Off the camera
- 2) Remove the SD Card
- 3) Power On the camera, and enter Menu.
- 4) After settings are complete, Power OFF, Re-insert the SD card, and Power On the camera.

Video: 1080P/30fps > 720P/30fps

Time Stamp: Off /Date / Date & Time

Audio Record: On/Off

EV: - 2.0, - 5/3, - 4/3, - 1.0, - 2/3, - 1/3, 0.0, +1/3, +2/3, +1.0, +4/3, +5/3, +2.0

Motion Detect\*: Off /On

## Settings

Format: Will delete the contents and format the MicroSD™ Card

Language: English, Spanish, Portuguese, French

Beep: On/Off

Screen Off: 1 min, 3min, 5min, Off

G-Sensor: Low, Normal, High, Off

Light Frequency: 50/60 Hz

Date Format: DD/MM/YY, MM/DD/YY, YY/MM/DD

Date Input: Adjusts Date

Time Input: Adjust Time

System Reset

FW Version: "20170417"

\*Motion detection: This feature can recognize changes in image within a selected zone, detect the presence of a moving object while eliminating light interference. The motion detection function can automatically record and save in case of any scene change. This feature will override the loop recording settings.



## Modes

### Camera

1. In Video Mode (Recording Stopped) or Playback Mode, press the **MODE** Button to switch, press the **OK** button at the top right of the unit to take photos.

### Playback

1. To view the files:

OK Button: Play/Pause

UP Button: Previous file

DOWN Button: Next file.

### Playback Setting

In the playback interface, press the Menu button at the right of the unit to enter the playback Settings:

Delete: You can choose to delete Current File, ALL, or Cancel, and press the **OK** to confirm.

Protect: Lock or Unlock videos. You can choose to set current (Lock the Current file),

Cancel current (Unlock the Current file),

Set ALL (Lock All files)

Cancel ALL (Unlock All files)

## Modes (CONTINUED)

Cancel (Cancel Protection setting and return), press **OK** to confirm.

Volume: Adjust the volume of the system via UP/DOWN buttons. Press **OK** to confirm.

Thumbnail: View files

## Specifications and Parameters

LCD Screen: 3.0" TFT

Lens: 140° Wide-angle

Language: English / Spanish / Portuguese / French

Video Resolution: 1920 x 1080P (30 fps) / 1280 x 720P (30 fps)

Video Format: AVI

Image Format: JPEG

Memory Card: MicroSD™, 32GB (Max. Capacity)

USB Interface: USB 2.0

Power Input: 5 VDC

Battery\*: 140 mAh Li-Ion

\*Battery is only for settings retention, not for camera use

