

**User's Manual**

**HP12**

**WIRELESS INFRARED  
HEADPHONES**

**HP12**  
**WIRELESS INFRARED HEADPHONES**

04.2011



tech support: [www.bossaudio.com/support](http://www.bossaudio.com/support)

**BOSS**<sup>®</sup>  
AUDIO SYSTEMS

BOSS Audio Systems  
3451 Lunar Court • Oxnard, CA 93030

[www.bossaudio.com](http://www.bossaudio.com)

**800.999.1236**

**BOSS**<sup>®</sup>  
AUDIO SYSTEMS



## HP12

*Wireless Headphones  
(for use with BOSS AUDIO HP12-IR and  
BOSS AUDIO Monitors with Infrared  
Audio Transmission)*

**Congratulations on your purchase  
of a BOSS AUDIO Wireless Infrared  
Headphone System.**

It has been designed, engineered and  
manufactured to bring you the highest  
level of performance and quality, and  
will afford you years of listening  
pleasure.

Thank you for making **BOSS AUDIO**  
your choice in car audio and video  
entertainment!

## USER'S MANUAL

### page CONTENTS

---

<b>2</b>	General precautions
<b>2</b>	Safety precautions
<b>2</b>	Installation precautions
<b>2</b>	What is included?
<b>3</b>	Headphone controls and features
<b>4</b>	Headphone battery replacement
<b>5</b>	Using HP12 with a monitor
<b>6</b>	Troubleshooting
<b>6</b>	Specifications

## General precautions

Please read this manual completely and carefully prior to attempting to install your new **BOSS AUDIO** mobile audio/video equipment. Installed correctly, your **BOSS AUDIO** equipment will provide you with years of enjoyable and safe usage.

Installation of this equipment in any portion of a vehicle which impairs or distracts the driver is improper and dangerous. **BOSS AUDIO** assumes no liability whatsoever for failure to follow the proper installation of this product.

Please keep this manual in a safe place for future reference.

## Safety precautions

- Do not operate this equipment while driving – safe driving should always be your highest priority.
- Do not open or attempt to repair this unit yourself. Refer any repairs to a qualified service technician.
- If there is smoke or any peculiar odor present during use or if there is damage to any of the component enclosures, immediately send the product to your local dealer or service center as soon as possible.

## Installation precautions

Do not install components in areas which are susceptible to rain, moisture, direct sunlight, extreme heat or cold, excessive dust, dirt or humidity.

Use only the installation parts and hardware provided with the unit to ensure proper installation. Using other parts can cause malfunction and possible damage to your **BOSS AUDIO** headphone system.

Use only a power source with 12 Volts DC (negative ground).

Before final installation, temporarily connect the wiring according to the diagram near the end of this manual, check it to ensure that it has been connected properly, and test the unit to make sure it is working correctly.

## What is included?

The HP12 wireless infrared audio system includes:

- **wireless headphones**

The HP12 is an **additional set of wireless headphones** for use with the HP12 -IR system or **BOSS AUDIO** monitors with wireless infrared audio transmission capability.

## Notes

## Troubleshooting

If you experience operation or performance problems with this product, compare your installation with the electrical wiring diagram on the previous page. If problems persist, read the following troubleshooting tips which may help eliminate the problems.

SYMPTOM	CAUSE	REMEDY
<b>No audio present in headphones.</b>	Power cord is not properly connected.	<i>Check that power connections are properly made and all fuses are in functioning condition.</i>
	Audio input cables not properly connected.	<i>Check all cables.</i>
	Audio input source is not operating properly.	<i>Replace or repair A/V source (DVD player, video game, etc.)</i>
	Batteries are dead.	<i>Replace headphone batteries.</i>
<b>Sound is of poor quality or has interruptions and dropouts.</b>	Headphone is not being used in direct line-of-sight with the player or remote IR sensor. Transmission is best within 6 feet/35° angle of IR sensor on the monitor.	<i>Move to a better location. If this is not possible, consider a more suitable location for the transmitter.</i>

## Specifications

### MODEL

**HP12** *Wireless Headphones*

### HEADPHONES

#### Transmission system

Infrared light

#### Carrier frequencies

2.3 MHz (left channel), 2.8MHz (right channel)

#### Distortion

less than 1%

#### S/N ratio

greater than 60 dB

#### Channel separation

greater than 40 dB

#### Frequency response

30Hz - 20kHz

#### Power source

(2) x AAA batteries

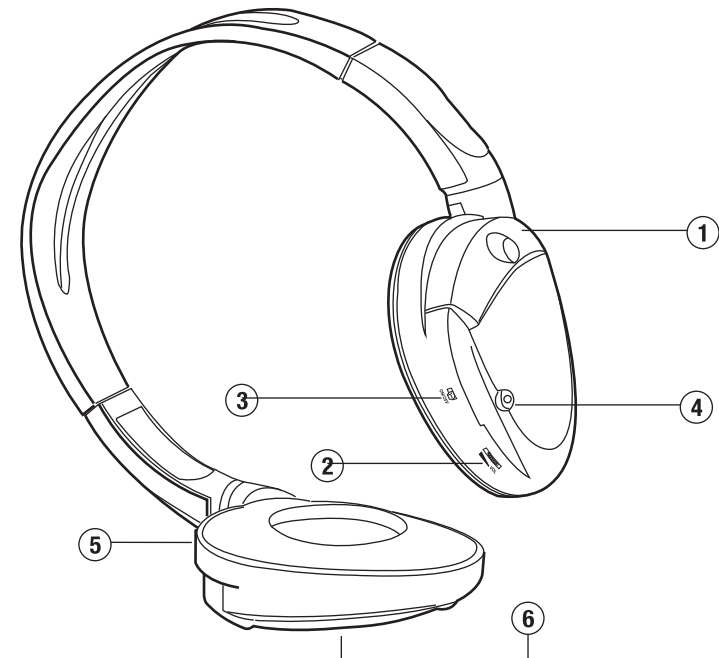
#### Current consumption

25 mA max (during play) / 15mA (muted)

*All specifications subject to change without notice.*

**BOSS**<sup>®</sup>  
AUDIO SYSTEMS

## HP12 Headphone Controls and Features



### ① ⑤ IR SENSORS

### ② VOLUME CONTROL KNOB

### ③ POWER ON/OFF SWITCH

This button turns the headphone on and off.

In addition, if headphones do not receive any infrared audio signal after a short period of time, they will shut off automatically to conserve battery life.

### ④ POWER LED

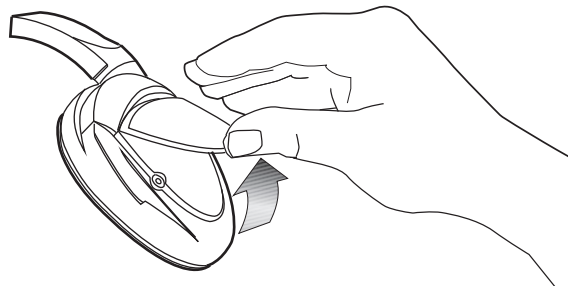
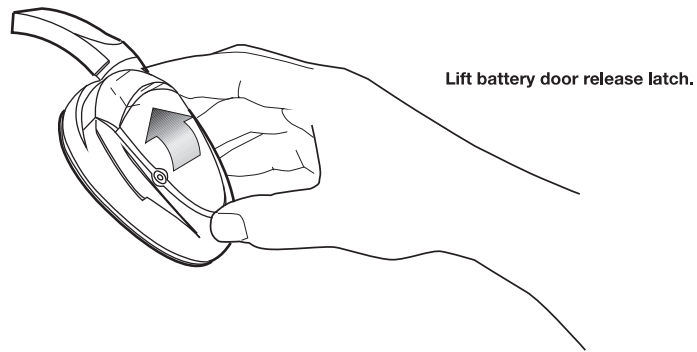
### ⑥ BATTERY COVER

See the section of this manual about battery replacement for more details.

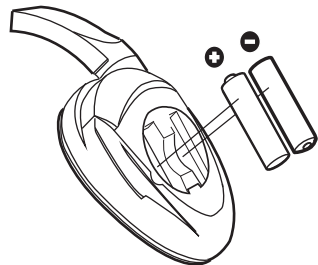
## Installing or replacing headphone batteries

The wireless headphones use (2) AAA batteries (not included), which are located in one of the earphone housings.

To replace the batteries, follow the diagrams below. To conserve battery life, please be sure to turn off the headphones whenever they are not in use, even though they will turn off after a short period of interrupted IR reception. If you expect the headphones to be unused for several days, remove and store the batteries.



Insert two AAA type batteries (not included). Be sure to note proper polarity when installing the batteries.



## Using the HP12 headphones with a BOSS AUDIO Monitor

Several **BOSS AUDIO** video monitors include a wireless infrared transmitter. The transmitter sends a high-quality stereo signal which can be received by the HP12 wireless infrared headphones.

The infrared signal is emitted from the large dark lens on the front of the monitor console. Best sound will be obtained if you sit directly in front of the monitor within about six feet. If you choose to sit to one side of the monitor, you can expect good reception within 35° to the right or left of the monitor.

