



Model(s) Z86300-XL

Deck-Mount, Temperature Control, Metering Faucet

TAG

Architectural/Engineering Specification:

Polished chrome-plated single lavatory, slow-closing metering faucet with an integral brass 3-3/4" centerline spout, and a vandal-resistant, ADA compliant color-coded handle. Easily adjustable cycle time, preset to 10 seconds at 80 PSI. Unit is furnished with a standard water-conserving 1.0 GPM spray outlet, integral shank filter, mounting hardware and a 1/2" NPSM coupling nut for standard lavatory riser. Requires less than 5 pounds force to activate per ANSI A117.1. Zurn Lead Free products (-XL) is the line of durable, high quality brass faucets and fixtures that are designed and manufactured to comply with Section 1417 of the Safe Drinking Water Act (SDWA) which mandates the weighted average lead content of no more than 0.25% of the wetted surface.

PRODUCT FEATURES:

- Polymer Metering Cartridge Sleeve
- Chrome-plated Cast Brass Body
- Vandal-resistant
- Color Coded Brass Metering Handle
- Adjustable Cycle Timing
- Note: By nature, warm/hot water causes 1-2 seconds lower flow time than cold water
- Note: 0.35 GPM aerator typically maxes out around 10 second run time

SUFFIX OPTIONS:

-CP4	Chrome Plated 4" [102mm] Cover Plate
------	--------------------------------------

AERATOR OPTIONS:

Suffix	Flowrate GPM [L]	Vandal-Resistant	Pressure Compensating	Outlet Type
-16M	1.0 GPM [3.8L]	x	x	Spray
-22M	1.0 GPM [3.8L]	x		Laminar
-3M	0.5 GPM [1.9L]	x		Spray
-7M	1.0 GPM [3.8L]		x	Spray
-25M	0.35 GPM [1.3L]	x	x	Spray
-28M	0.5 GPM [1.9L]	x		Laminar



Product Compliance:

ADA
 ASME A112.18.1/CSA B125.1
 CEC
 CSA B125.1
 IPC
 NSF 372

*Complies with ADA & ICC A117.1 accessibility requirements when installed according to the requirements outlined in these standards.

**Although products with certain combinations of options and features will meet or comply with these standards and/or certifications, not every combination of options and features will result in such compliance. If you have any questions about your particular product, please contact our Customer Care Dept. at 1-855-ONE-ZURN (United States) or 1-877-892-5216 (Canada) for confirmation.*

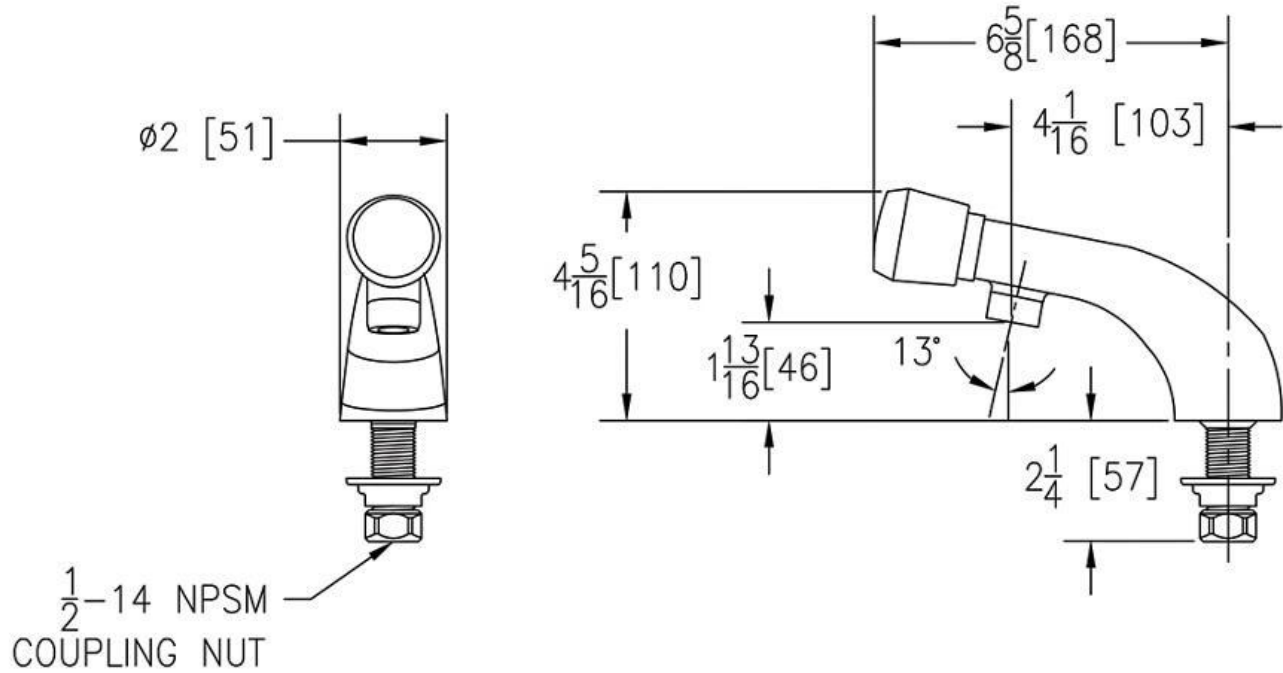
[Installation Guide - 98490C.pdf](#)

[Warranty - GENERAL-TERMS-AND-CONDITIONS.pdf \(PDF\)](#)

Architectural/Engineering Approval

Design and dimensional data (inches and [mm]) are subject to manufacturing tolerances and change without notice.

⚠ WARNING: Cancer and Reproductive Harm – www.P65warnings.ca.gov
 ⚠ ADVERTENCIA: Cáncer y daño reproductivo – www.P65warnings.ca.gov
 ⚠ AVERTISSEMENT: Cancer et effets néfastes sur la reproduction – www.P65warnings.ca.gov



NOTE: All dimensions are for reference only. Do not use for pre-plumbing.