


Item: 5601-85001-BLK/LTWD

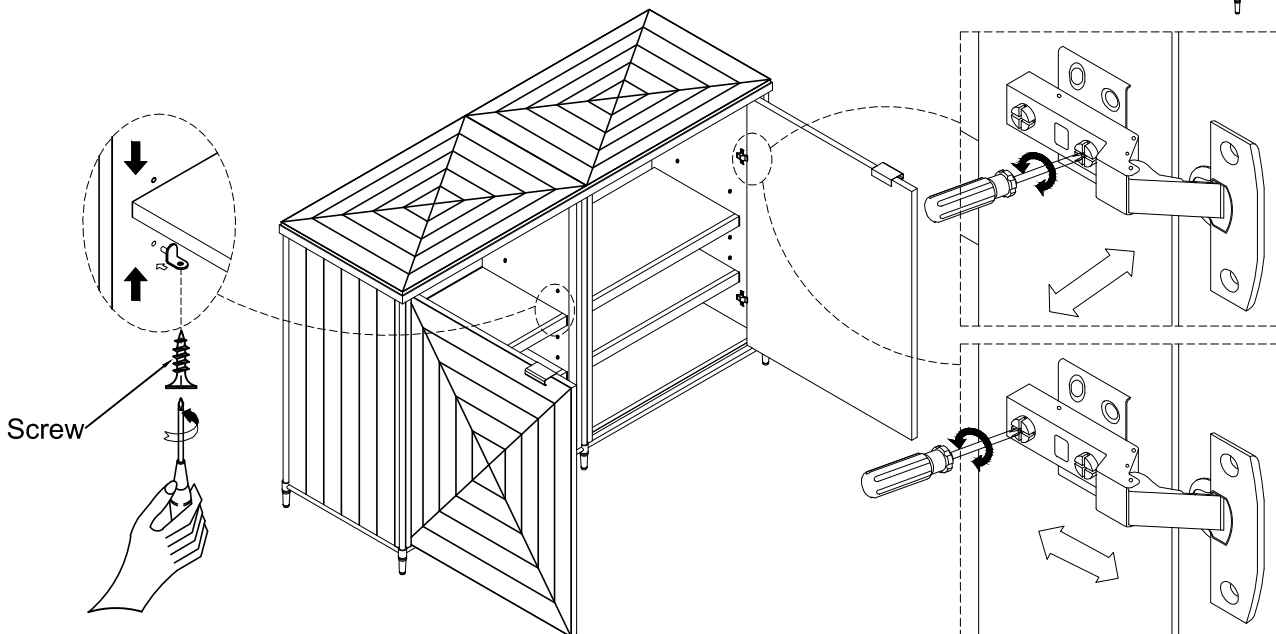
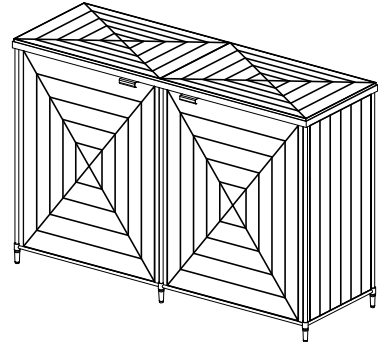
Decs: DOOR CHEST

Thank you for purchasing this quality product. Be sure to unpack carefully looking for small parts which may have come loose during shipment.

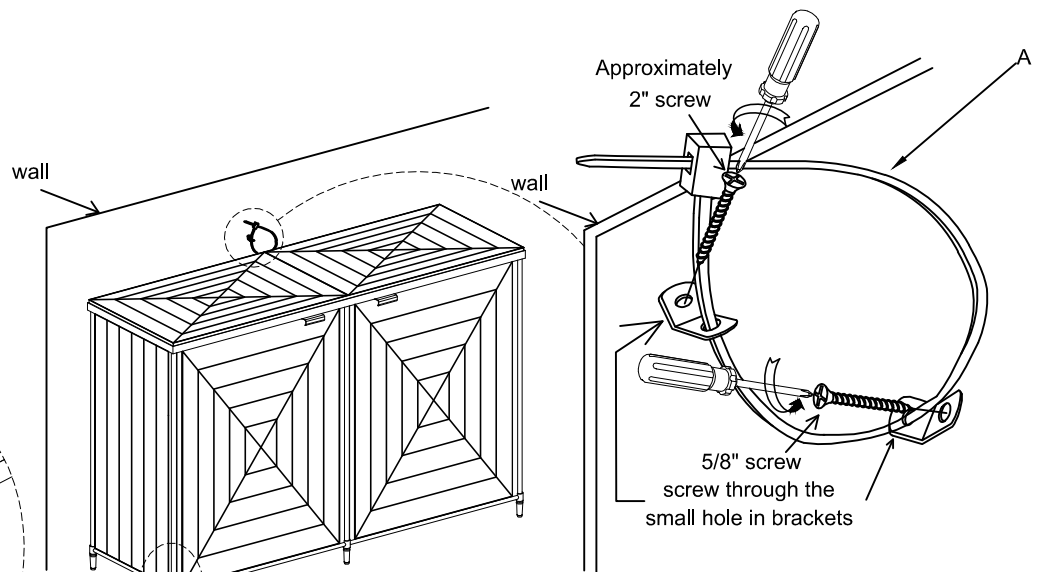
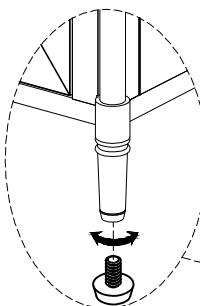
Read all instruction and study the drawing carefully before starting the assembly process:

HARDWARE PACK

NO	DRAWING	DESCRIPTION	SIZE	Q'TY
A		ANTI-TIP		1set



Adjust leveler if needed to level case on uneven floor



Anti-tip kit is included for use
We recommend installing for safety reason