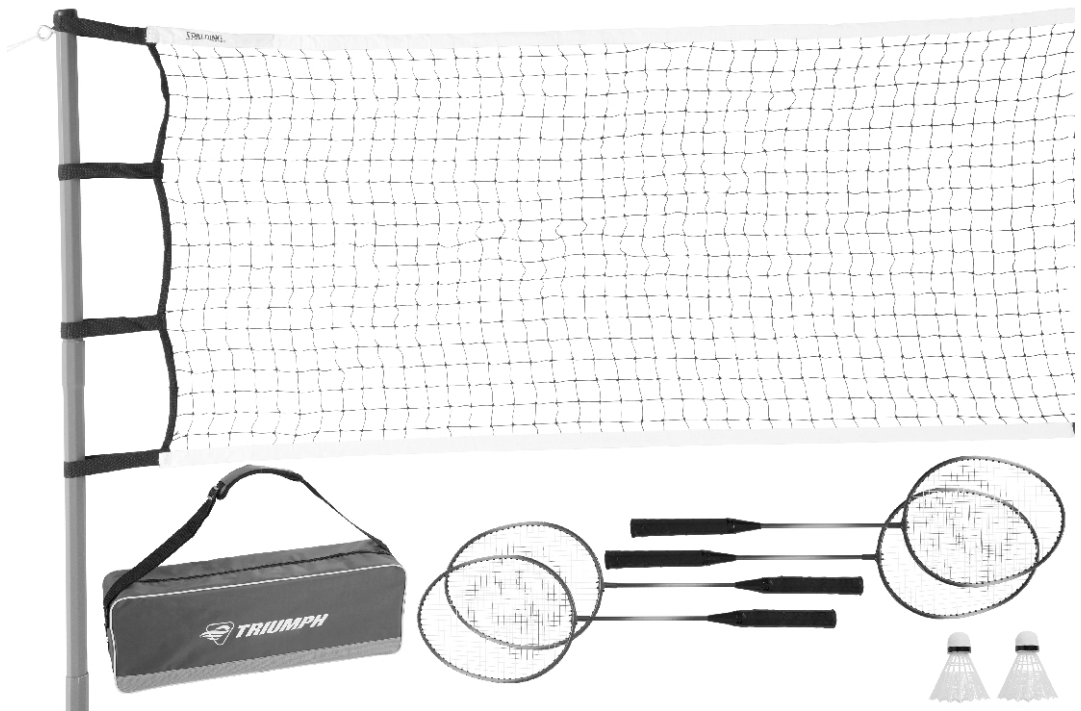




TRIUMPH

COMPETITION BADMINTON SET INSTRUCTION MANUAL



PLEASE KEEP THIS INSTRUCTION MANUAL FOR FUTURE REFERENCE

If you have any concerns with your product please visit our website www.escaladesports.com for fastest service. Please have a copy of your receipt of purchase. For any technical support or warranty issues please contact Escalade Sports at 1-800-467-1421 or e-mail us at customerservice@escaladesports.com

Limited 90-Day Escalade Sports Warranty

All Escalade Sports games have a limited 90-day from date of purchase warranty. This warrants the retail purchaser for any Escalade Sports game purchased to be free from any defect in materials and construction for 90 days from the date of purchase. The only exceptions to the warranty include main frames, tabletops, playing surfaces, batteries or tools. Damaged main frames, tabletops, playing surfaces need to be returned to the store as we are unable to replace these parts. Normal play wear and usage is not covered under the warranty, nor is wear or damage due to improper use of the Escalade Sports game. This will void any and all Escalade Sports warranties.

A PURCHASE RECEIPT (or other proof of purchase date) will be required before any warranty service is initiated. All requests for warranty service can be submitted by email, in writing or by contacting our Customer Service Department at: 1-800-467-1421 or email us at customerservice@escaladesports.com

IMPORTANT NOTICE! Please contact us before returning the product to the store.

Warnings



WARNING: CHOKING HAZARD - Small parts included.

Recommended for ages 8 and over.

Not for use by children without adult supervision.

This is not a child's toy. Adult supervision is required for children playing this game. Please read instructions carefully. Proper use of this set can prevent damage and injury.

Be sure to check out all the exciting a games has to offer. Visit our web site at:



www.escaladesports.com

www.triumphsportsusa.com



BILLIARDS



DARTS



GAME TABLES



CASINO



OUTDOOR GAMES



DARTBOARDS

Escalade Sports
817 Maxwell Avenue
Evansville, IN 47711
1-800-467-1421
www.escaladesports.com

Parts List

ASSEMBLY #	DESCRIPTION	QUANTITY
P1	3-Piece Pole	2
P2	Competition Side Strap Badminton Net	1
P3	Competition Guyline with Tensioner	2
P4	Ground Stakes	4
P5	Boundary Line with Corner Anchors	1
P6	Sports Bag	1
P7	Badminton Rackets	4
P8	Shuttlecocks	3
P9	Pole Anchors	2

— PLEASE RETAIN MANUAL FOR FUTURE PARTS IDENTIFICATION —

ASSEMBLY INSTRUCTIONS

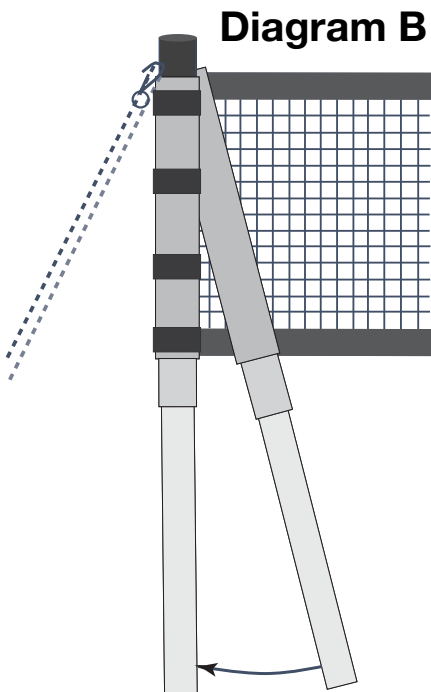
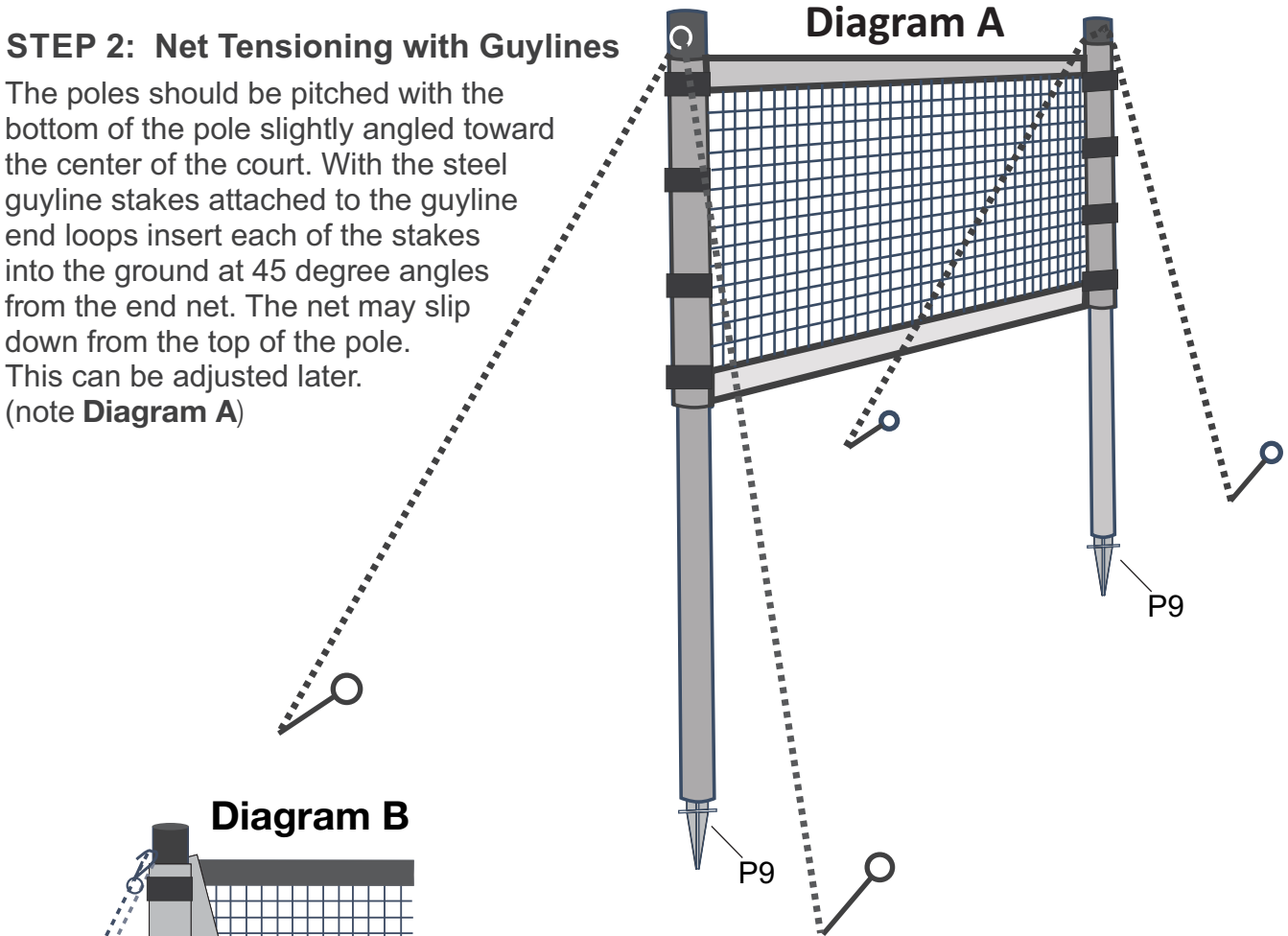
STEP 1: Badminton Pole and Net Set up

Assemble both poles to their full length and attach pole anchors P9. Unfold the net and lay it out across the center of the court. Slide the net straps on the top of each pole making sure that the top of the net meets the top of each pole. Attach the guyline systems to the top of each pole at the eyebolt and then upright the poles.

STEP 2: Net Tensioning with Guylines

The poles should be pitched with the bottom of the pole slightly angled toward the center of the court. With the steel guyline stakes attached to the guyline end loops insert each of the stakes into the ground at 45 degree angles from the end net. The net may slip down from the top of the pole. This can be adjusted later.

(note **Diagram A**)



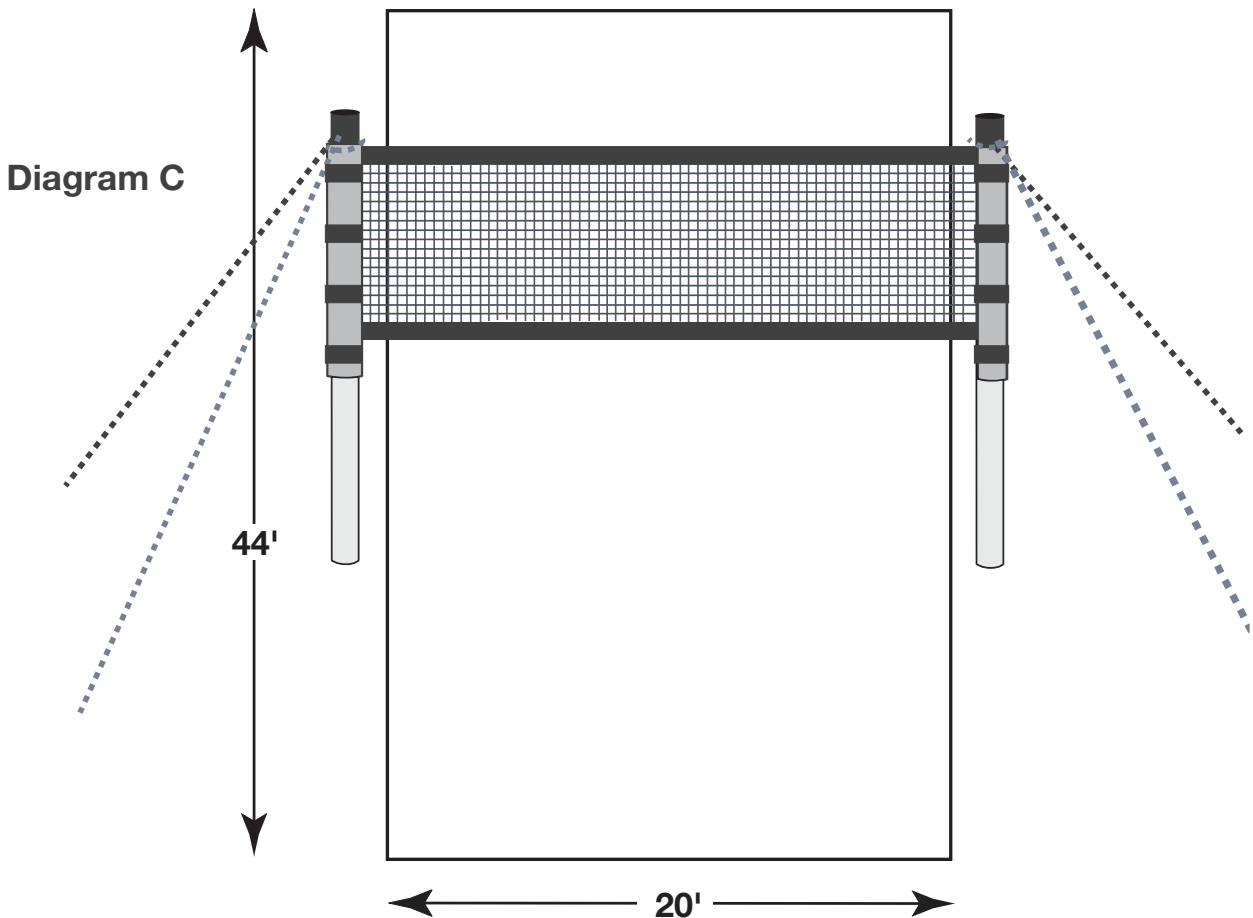
With the stakes firmly anchored in the ground at both ends of the net adjust each pole to a full upright position. This should put tension on both the top and bottom net tapes. The net should now be adjusted on each pole starting at the top. The net height should be 5' in the center of the net to 5'1" at the poles. Any extra tensioning of the guylines can be done with the plastic guyline tensioners. (note **Diagram B**)

ASSEMBLY INSTRUCTIONS (continued)

STEP 3: Installing Boundary

Standard court size is 20 feet wide and 44 feet long. With the net fully installed unwind the braided boundary line and arrange the corner anchors into each corner of the court without anchoring. Square off the boundary and place the center line markers on the boundary line one foot inside the poles.

Diagram C illustrates what your court should look like when the net and boundary are fully installed.

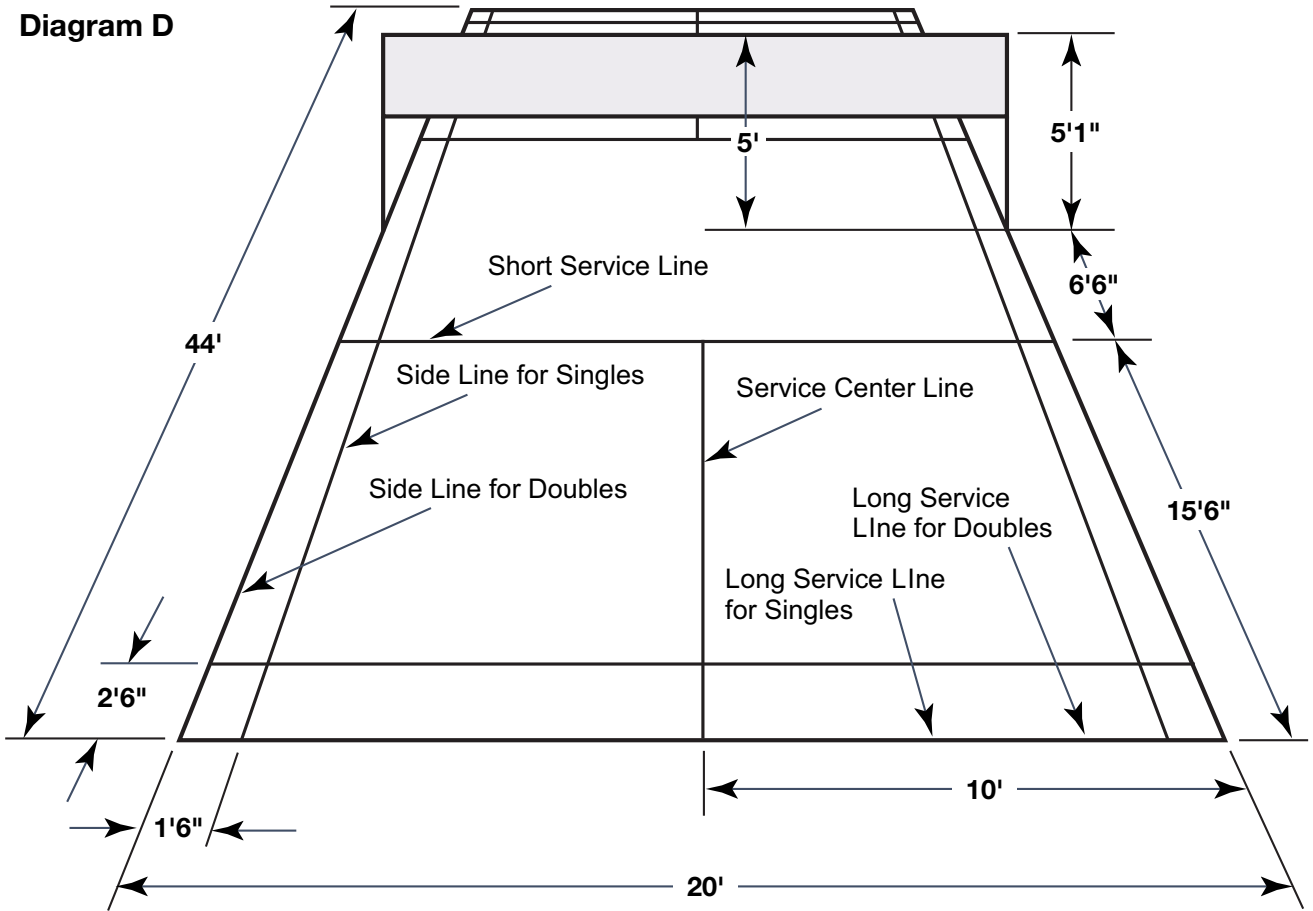


Congratulations. You are now ready to play.

ASSEMBLY INSTRUCTIONS (continued)

Diagram D illustrates in detail what a professional badminton court looks like. This has been included to give a general sense of court orientation. For serving the server should be six and a half feet from the net and should serve from the right side of the court into the opposing left hand court side. If the point is won by the server then the next serve will be from the left side of the court to the opposing right side.

Diagram D



BADMINTON GAME RULES

Scoring:

Badminton can be played in singles (one per side) or doubles (two players per side).

Service:

The team winning the toss of the coin shall have the option of serving first, receiving the serve or choosing the court side. The side that serves first has only one service to start the game. After the game begins, each team gets two serves.

Service Rotation:

The team which serves first must serve from their right half court diagonally opposite to their opponents right half of the court

Singles:

The players serve from the right half of the court when their score is "0" or an even number of points. Service is delivered from the left half of the court on odd number of points. If the team serving makes a fault, one serve is lost. Of the team receiving the serve makes a fault, the team serving gets a point and continues to serve. The serve must alternate from right and left half of the courts after each serve as stated before.

Doubles:

The serve must alternate from the right half of the court to the left half of the court after each serve, so no player receives consecutive serves. Teammates must serve consecutively.

The Game:

Can be played to 15 or 21 points. The best two out of three games wins the match. Team changes court sides after each game.

It is a fault if:

- The shuttle is served overhand. The shuttle must be struck at a point not higher than the server's waist.
- In serving, the shuttle falls into wrong service court, falls short of the service line or beyond the long service line or outside the side boundaries.
- The server or person receiving the service does not serve from within their right side or left half of the court, whichever the case might be.
- The server or player intentionally obstructs or distracts his opponent.

BADMINTON GAME RULES (continued)

- The server misses the shuttle in attempt to serve.
- During service or play, the shuttle falls outside the court boundaries, passes through or under the net or fails to pass over the net.
- A player reaches over the net and hits the shuttle on their opponent's side of the court. However, a player may hit the shuttle on their side of the court and follow through on the swing over the net.
- The shuttle is hit twice in succession by the same player or the shuttle is hit by a player and his teammate successively.

Note: It is not a fault if the shuttle hits the net during service or during play and goes over the net. If this occurs during the serve, repeat serve.

BADMINTON NET SYSTEM MAINTENANCE

Boundary line

Though the boundary line used with this net system is unlikely to knot it can tangle and should be carefully wound up after each use.

Telescopic poles and push buttons

Poles should be checked for dirt and debris after each use.

Keeping the push buttons clean will allow them to operating smoothly.