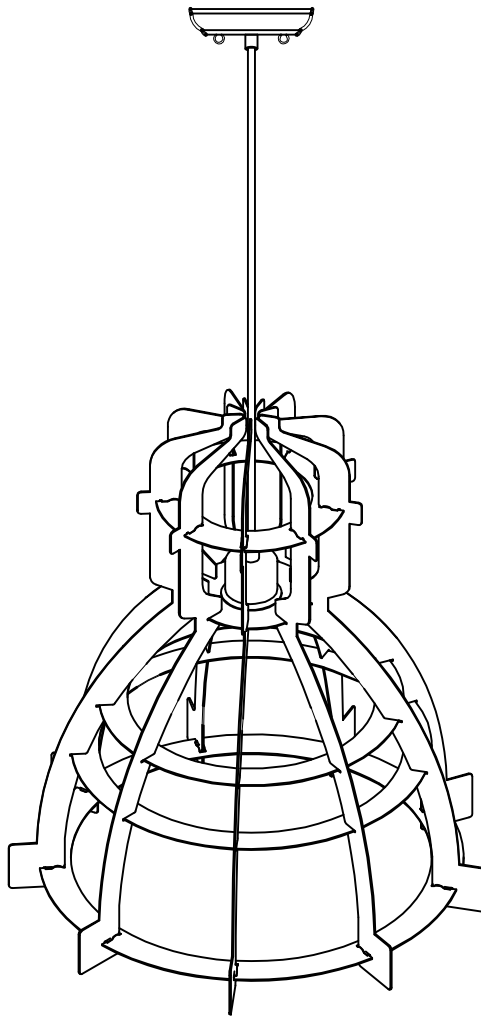


W Walker[®]
Edison
furniture company

Item # : LIP20CLAS
Assembly Instructions



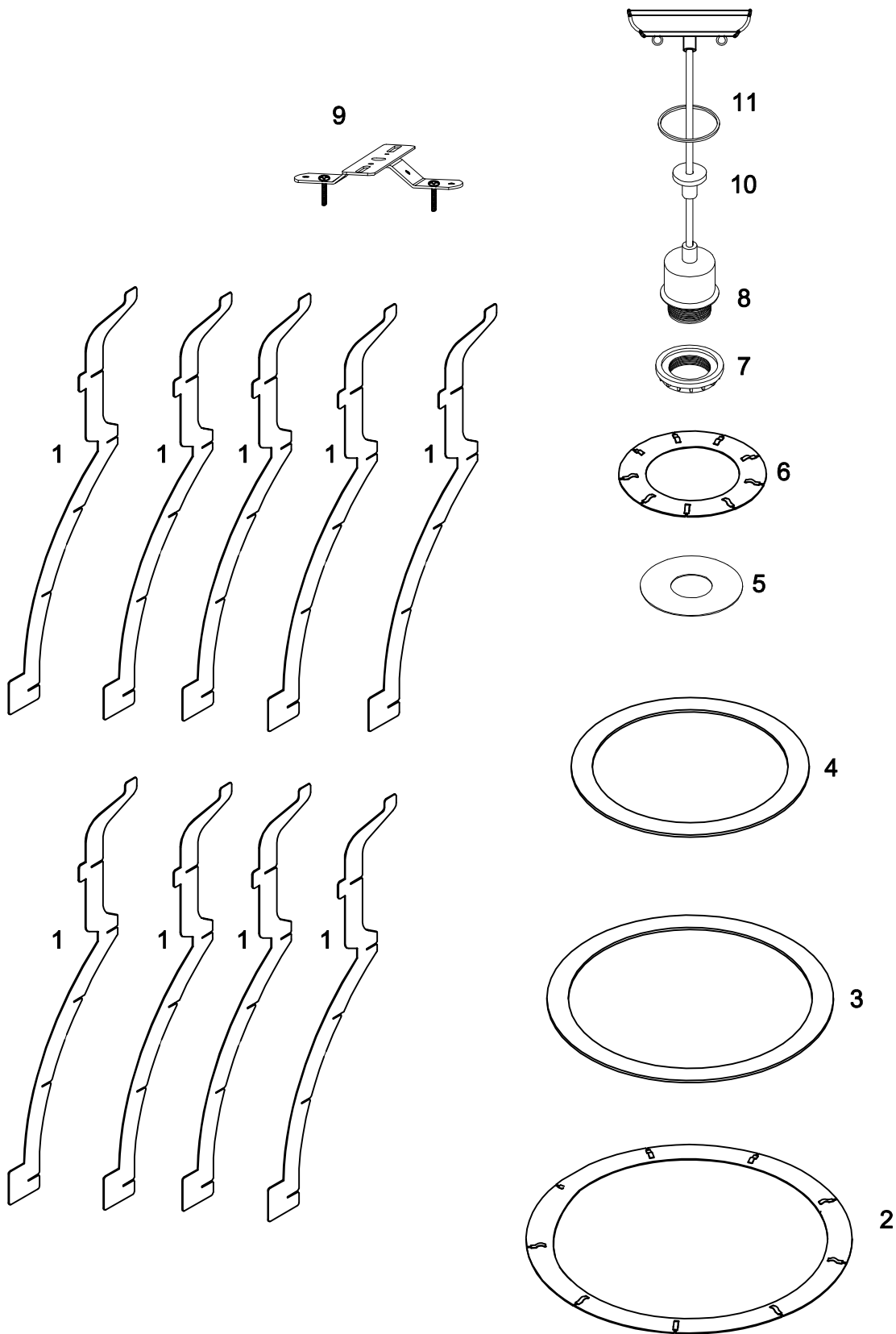
Please visit our website for the most current instructions, assembly tips, report damage, or request parts. www.walkeredison.com

Revised 03/2017

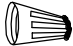


General Assembly Guidelines

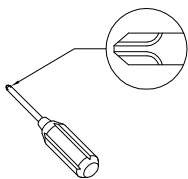
- I. Ensure that all parts and hardware are available before beginning assembly.
- II. Follow each step carefully to ensure the proper assembly of this product.
- III. Two people are recommended for ease in the assembly of this product.
- IV. The types of hardware used to assemble this product are: metal pieces, electrical wiring, screws and nuts.
- V. Before installation of this light fixture or removal of the previous light fixture, ensure the power to the room is disconnected by removing the fuse at the fuse box or turning the circuit breaker off for the room you plan on installing the light fixture.
- VI. Contact a qualified electrician for any electrical issues or questions you may have.
- VII. Please contact our Customer Service Representatives for any additional questions you may have.
- VIII. Maximum wattage of lightbulb to be used is 60W.
- IX. Recommended items for Assembly and installation: (Not included) Ladder, electrical tape, wire cutters, wire strippers, safety glasses or safety goggles, gloves, light bulb.

Parts List



Hardware List

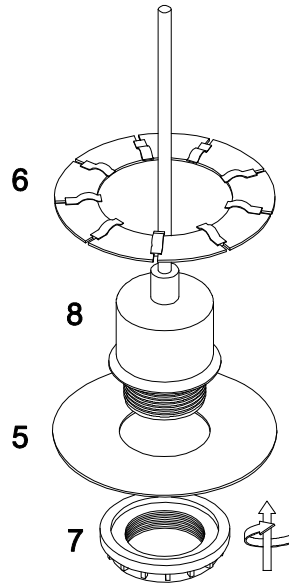
A		Wire nut	3 pcs
B		Screw	2 pcs
C		Nut	2 pcs



**Philips head screwdriver required for assembly
(not included)**

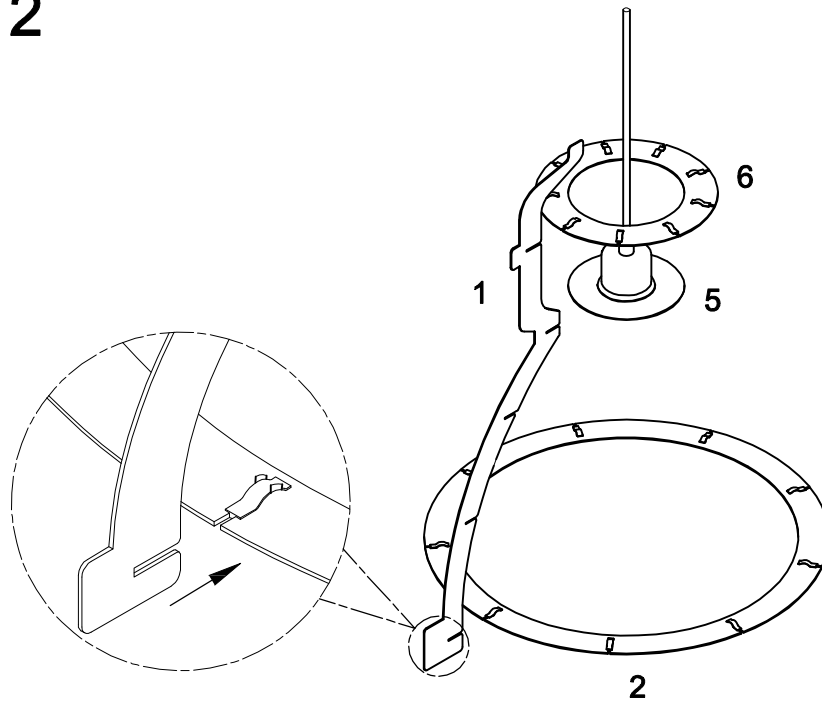
*The hardware quantities listed above are required for proper assembly.
Some extra hardware may also have been included.*

Step 1



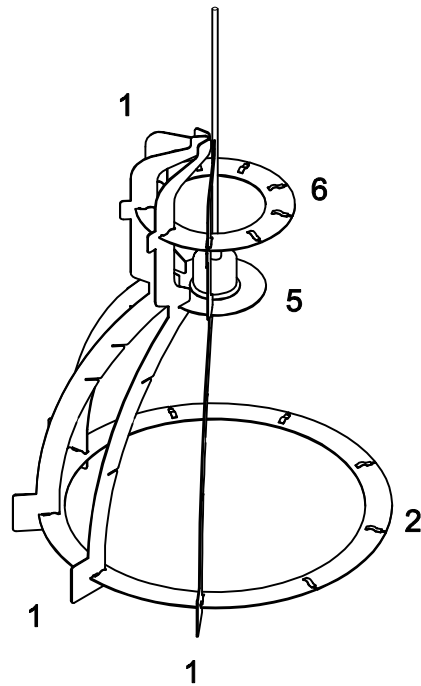
Assemble parts (7, 5, 8, 6) as per diagram.

Step 2



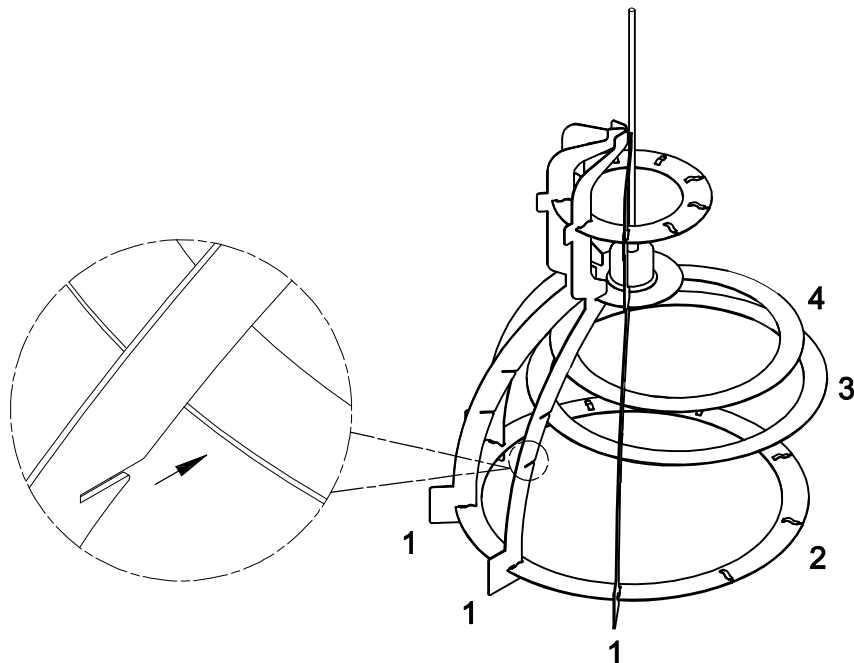
Attach part (1) to ring (5,6, 2) as per diagram.

Step 3



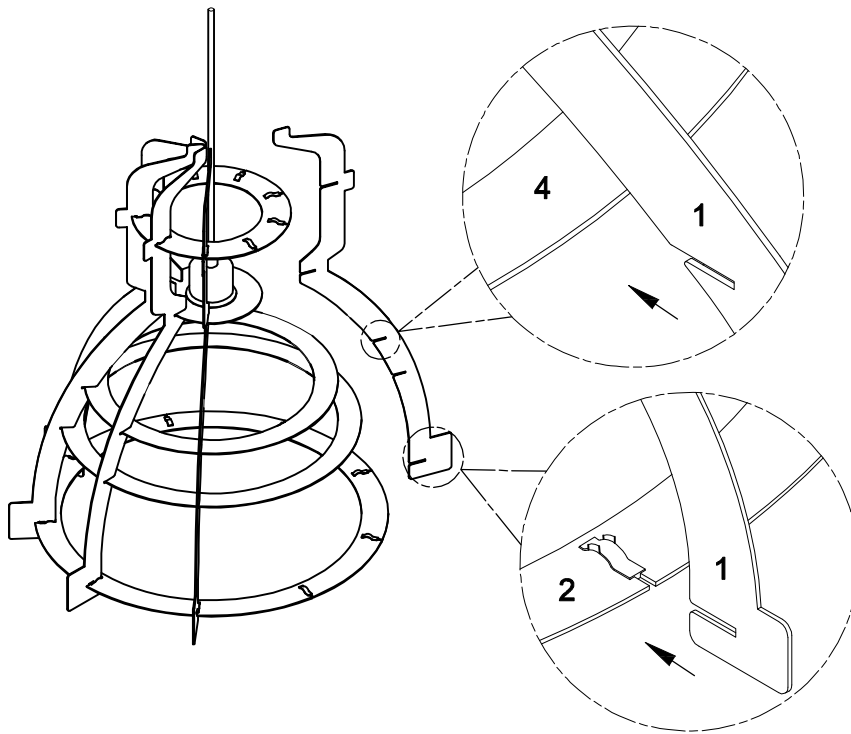
Attach 3 additional part (1) to ring (5,6, 2) as per diagram.

Step 4



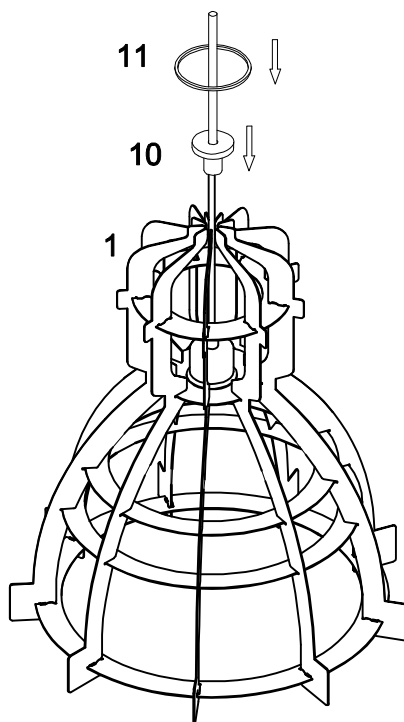
Attach rings (3, 4) to part 1 as per diagram.

Step 5



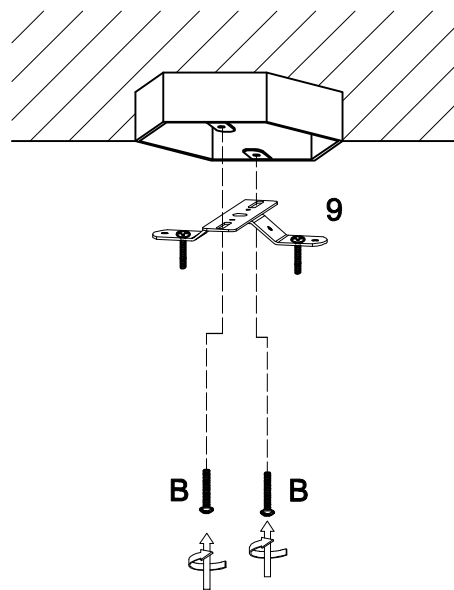
Repeat step 3 for remaining pieces of part 1.

Step 6



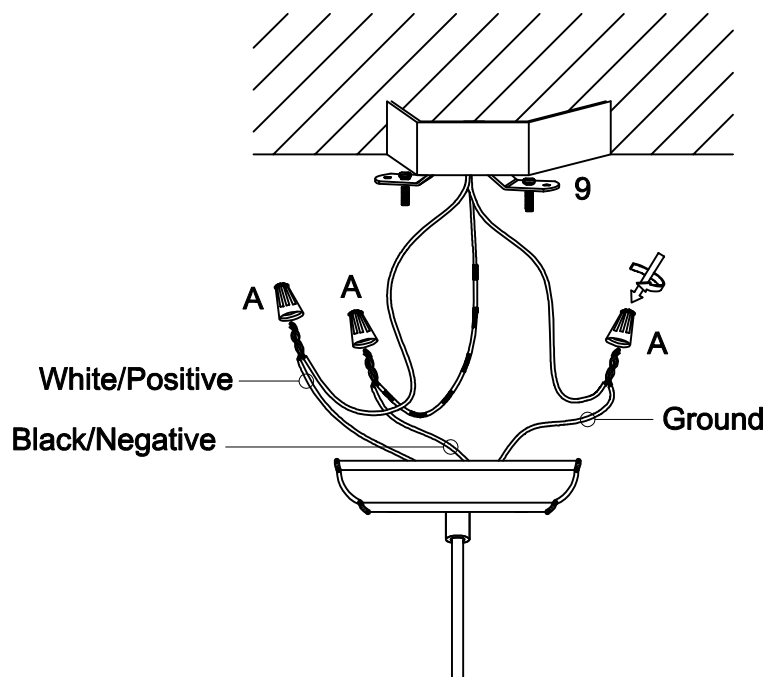
Push part (10, 11) down gently to secure part (1).

Step 7



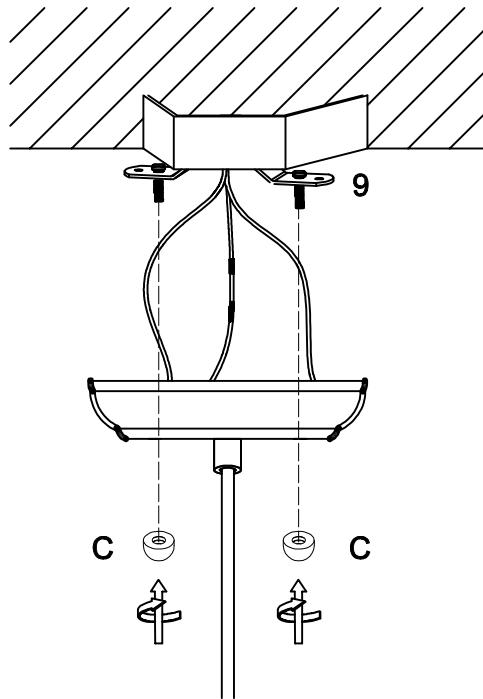
Use screw (B) to secure the metal bracket (9) to the ceiling mount as per diagram.

Step 8



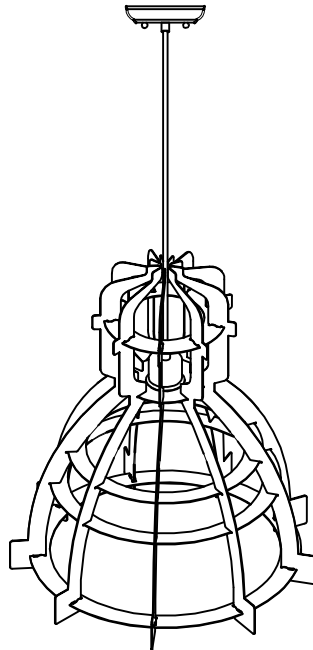
Use the wire nut (A) to secure the wires as per diagram.

Step 9



Use nut (C) to secure the light to the metal bracket (9) as per diagram. Coil wires safely to ensure proper fit.

Step 10



Final Assembly