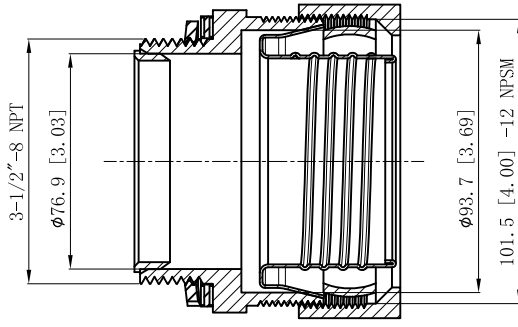
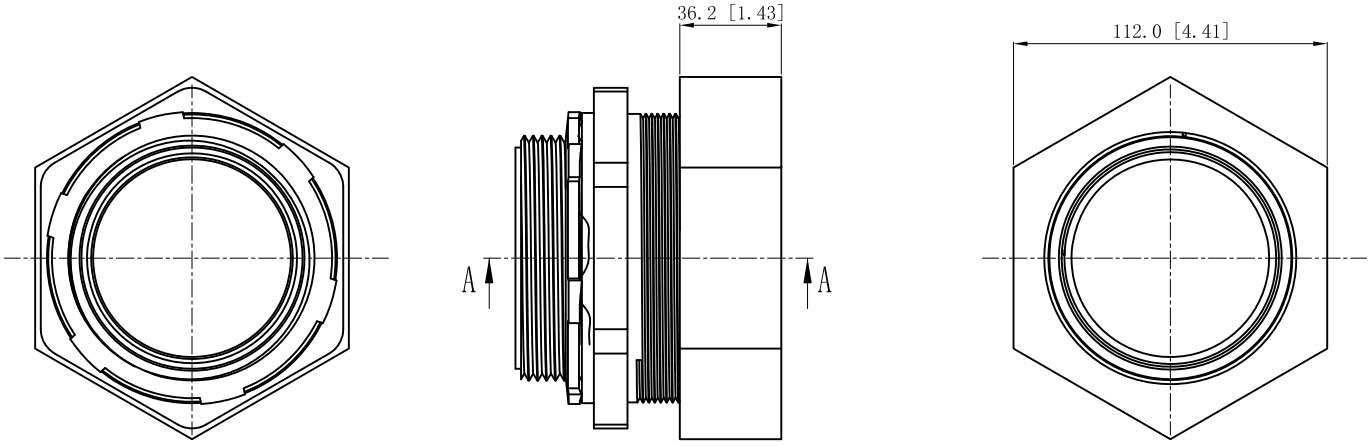
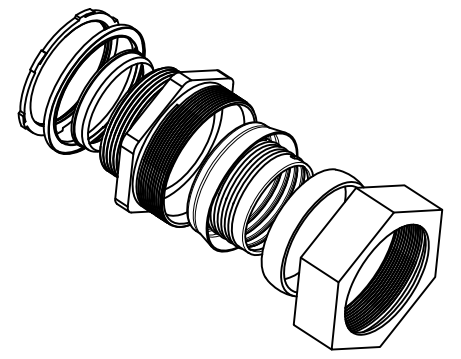


SIDES	BOTTOM
Material:Steel-(C1008-C1018) Galvanized	



CUTAWAY VIEW A-A



This data sheet is for reference only .GARVIN INDUSTRIES reserves the right to make changes to the design without prior notice.

DESCRIPTION
TRADE REFERENCE TERMS

STANDARD PACKING	<h1 style="margin: 0;">GARVIN INDUSTRIES</h1> <h2 style="margin: 0;">STRAIGHT LIQUID-TIGHT CONNECTORS</h2>		
5 PCS			
SIZE	DWG NO.	LTC-350	REV
A4		DATA SHEET	