

AXOR Starck
Single-Hole Faucet 170, 1.2 GPM
 Finishes : **brushed nickel** Part no. : **10123821**



Description

Features

- Aerated spray
- Flow: 1.2 GPM (4.5 L/Min)
- Joystick ceramic cartridge
- Does not include: Pop-up assembly

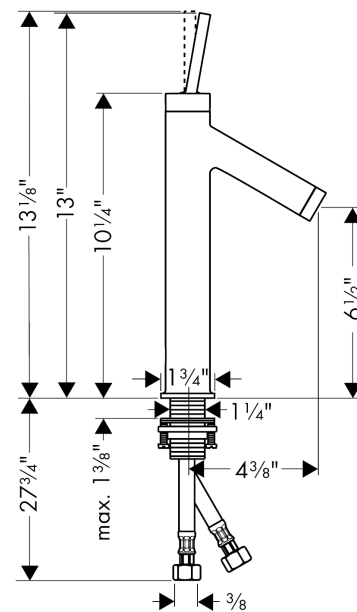
Technology



Product image



Scale drawing

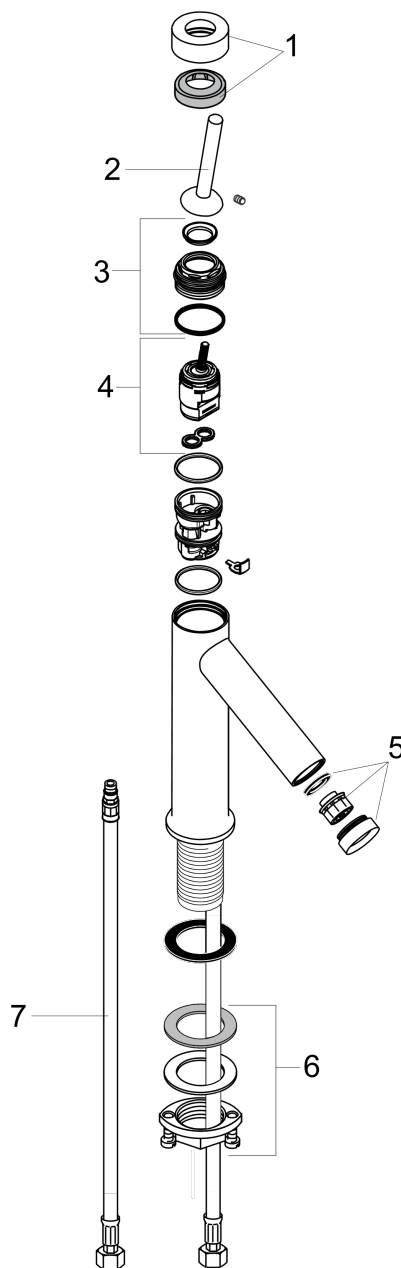


AXOR Starck
Single-Hole Faucet 170, 1.2 GPM
Finishes : **brushed nickel** Part no. : **10123821**



Exploded drawing

Year of production: >07/16



AXOR Starck
Single-Hole Faucet 170, 1.2 GPM
 Finishes : **brushed nickel** Part no. : **10123821**



Spare parts list

Year of production: >07/16

Pos.	Description	Part no.	PC	PU
1	flange	97155820	0	1
2	handle	10092820	0	1
3	nut	97157000	0	1
4	cartridge, assy	96339000	0	1
5	aerator M24x1 (4,5 l/min)	92812820	0	1
6	fixing set (Ø 32)	13961000	0	1
7	connection hose 35½" M8x0,75 3/8"	96316001	0	1