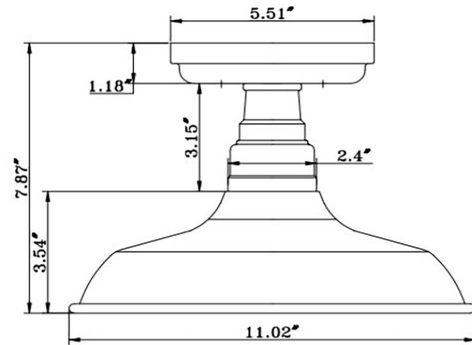


Kimball I-Light Ceiling Mount Industrial Light

Coffee Bronze



SPECIFICATIONS

MOUNTING:	Semi Flush Mount	LED BRIGHTNESS (LUMENS):	N/A
SLOPED CEILING ADAPTABLE:	No	LED COLOR CORRELATED TEMPERATURE (CCT):	N/A
LAMP TYPE 1:	Maximum 60W Medium Base Bulb	LED COLOR RENDERING INDEX (CRI):	N/A
BULB INCLUDED:	N/A	LED EFFICACY:	N/A
WATTS PER BULB:	60W	LED AVERAGE RATED LIFE:	N/A
TOTAL WATTAGE:	60W	ENERGY EFFICIENT:	No
DIMMABLE:	Yes	LIGHTING AMPS:	N/A
MATERIAL CONSTRUCTION:	Steel	VOLTAGE:	120V
ASSEMBLED DIMENSIONS:	7.87" H x 11.02" L x 5.51" D		
WEIGHT:	1.10 lbs.		
BACKPLATE DIMENSIONS:	n/a" H x n/a" W		
CANOPY/PLATE DIMENSIONS:	1.18" H x 5.51" D		
GLASS/SHADE DIMENSIONS:	3.65" H x 11" L x 11" D		
GLASS/SHADE MATERIAL:	Steel		
GLASS/SHADE TYPE:	N/A		
GLASS/SHADE COLOR:	Textured Coffee Bronze		

WARRANTY:	10-Year limited warranty
UL/ETL CERTIFICATION:	ETL
WET/DRY/DAMP LISTING:	Dry
ADA COMPLIANT:	No
ENERGY STAR CERTIFIED:	No



TYPE:
JOB:
ORDER CODE:
APPROVALS: