




**MODEL 25**  
**VECTOR™**  
**MULTI-TASK SINK**  
22" & 25"

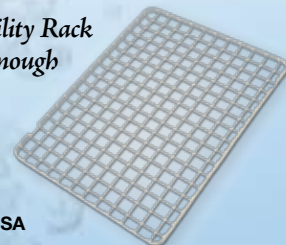
It's time to rethink the concept of a utility sink. It's also time to expect more style, class, functionality and features...and the bright minds at E.L. Mustee & Sons have done just that. Meet the new VECTOR™ Multi-Task Sink exclusively from Mustee.

Ideal for home bars, hobby, work or utility rooms, no other self-rimming sink on the market today brings together the same upscale style and outstanding design features like a recessed shelf, optional utility rack, compression molded VARISTONE™ deep gloss finish, generous 12<sup>3</sup>/<sub>4</sub>" depth and more.

So go ahead and use your imagination...odds are you can discover a multitude of ways which the new VECTOR™ Multi-Task Sink can fit in even the most luxurious home environments.

*The innovative VECTOR™ sink Utility Rack is ideal for countless uses. Strong enough to support up to 40 lbs.*

Sold separately



# VECTOR™

## MULTI-TASK SINK

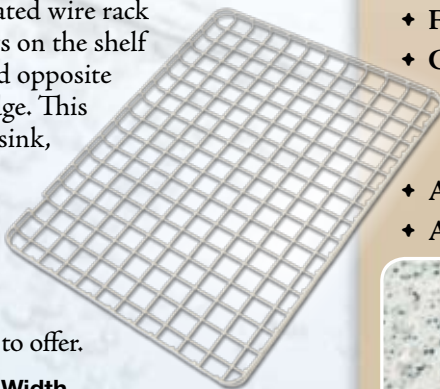


The term "Multi-Task" sink suggests a multitude of uses...and VECTOR™ does not disappoint. In fact, it's hard to imagine a sink offering more functionality and practicality... especially when outfitted with the optional 25.300 Utility Rack.

The strong, 25.300 plastic coated wire rack sets on the shelf and opposite ledge. This

design allows it to span the inside of the sink, creating a work surface that is ideal for rinsing, watering, craft work or drying... the options are endless.

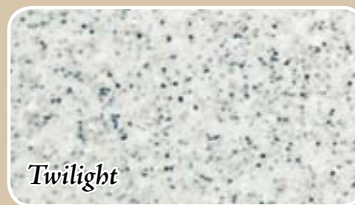
The 25.300 Utility Rack is the perfect way to realize all the functionality that the innovative VECTOR™ Multi-Task Sink has to offer.



Model No.	Color	Length	Width
25.300	White	14.5"	21"

## Features

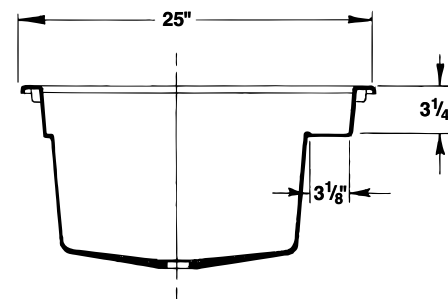
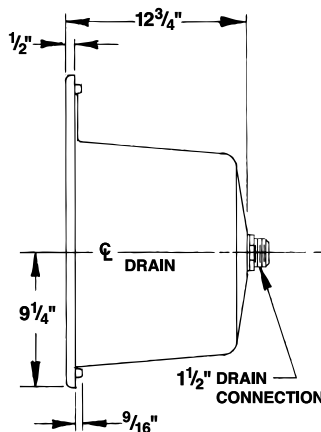
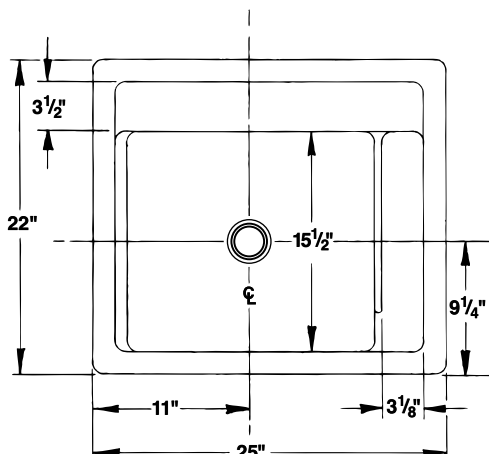
- ✦ Molded from Mustee's proprietary, high grade VARISTONE™, a composite material
- ✦ Semi-gloss, scratch & stain-resistant
- ✦ Recessed, self draining shelf, 3.25" below rim, 3.125" wide and 15.5" long...ideal for soap dispensers, spray bottles, sponges, etc.
- ✦ Includes drain assembly with pop-up stopper for 1½" P-Trap
- ✦ One piece molded, with matched metal molds
- ✦ Accommodates single or dual-handle faucets with 4" or 8" centers, soap and instant-hot dispensers, and more
- ✦ Faucet hole indicators simplify mounting installation
- ✦ Code accepted:
  - Meets ANSI Z 124.6
  - IAPMO listed
  - Warnock Hersey listed
- ✦ Available solid colors: White, Biscuit
- ✦ Available granite colors:



## Specifications

General: Furnish and install as shown on plans a VECTOR™ Multi-Task Sink (Model 25) as manufactured by E.L. Mustee & Sons, Inc. Material composition shall be molded fiberglass, using matched metal dies under heat and pressure. One-piece, seamless construction with self-rimming edge and complete 1½" drain assembly. Shall meet ANSI Specification Z 124.6. Overall size 22" length x 25" width x 12¾" depth, weight 16 lbs., Color: \_\_\_\_\_ (White, Biscuit, Twilight, Prairie Drift).

Model No.	Color	Dimension	Length	Width	Depth
25	White	Overall	22"	25"	12.75"
25BT	Biscuit	Inside (top)	15.5"	22"	—
25TW	Twilight	Inside (shelf)	15.5"	3.125"	—
25PD	Prairie Drift	Cutout	21"	24"	—



**MUSTEE**

E.L. Mustee & Sons, Inc. • 5431 West 164th Street • Brook Park, OH 44142 • Phone: 216.267.3100 • Fax: 216.267.9997  
E-mail: info@mustee.com • Web: www.mustee.com • Proudly made in the USA

ADV-461 (06-08)

Notice: Our continuous commitment to product improvement may result in changes to product specifications without notice. Patents pending. Made and Printed in U.S.A.