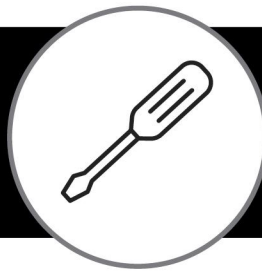


Assembly Guide

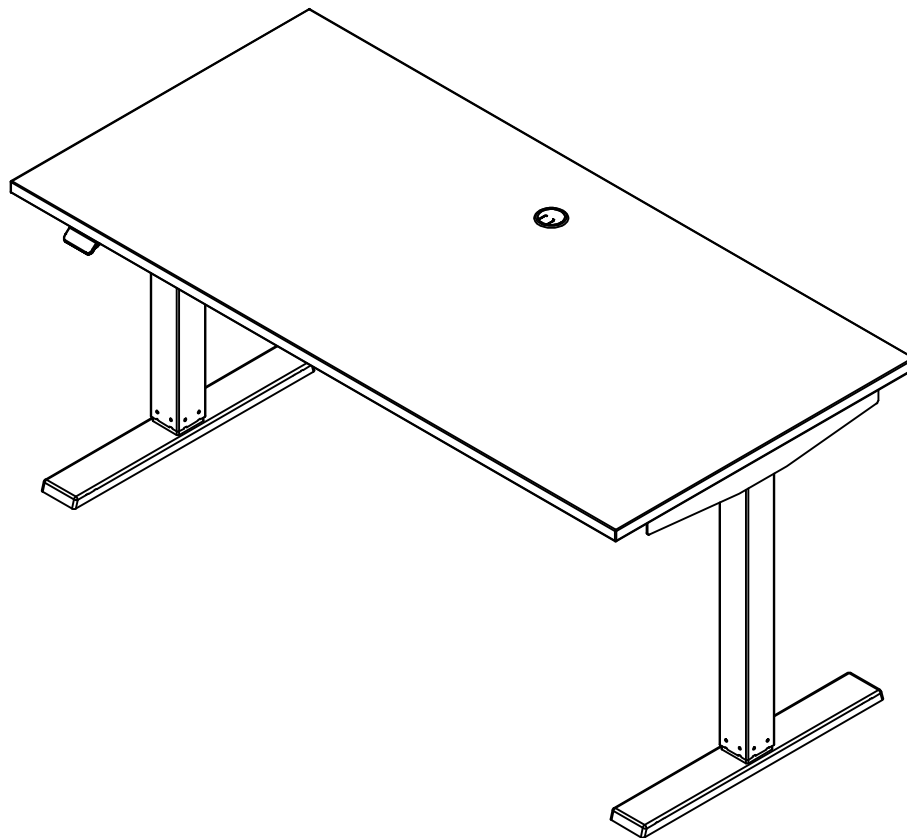


If you're having any difficulty during assembly of this product, don't hesitate to call us at **1-800-950-4782.**

Our customer service experts are trained to provide step-by-step instruction and can easily replace any missing or damaged parts.

Representatives are available Monday-Friday from 8:30 a.m. to 7:30 p.m. (ET)

Height Adjustable Tables



Lot Code #

Instruction Sheet Number A222604

Keep manual for future reference.

For best results, keep these tips in mind:

- ① We know you want to finish this assembly as quickly as possible, but trust us: you'll have a better experience if you take it one step at a time.
- ② Give yourself some room to work near where you want the fully assembled product.
- ③ If your floor isn't carpeted, assemble this product on the empty carton to avoid scratching.
- ④ Do you have a friend who owes you a favor? Some steps may go a little easier with a second set of hands.

DOs

- ✔ Use a #2 Phillips head screwdriver (or other handheld tools as indicated)
- ✔ Wear safety glasses at all times during assembly
- ✔ Carefully follow the instructions in this guide and complete all steps in order
- ✔ Give us a call if you're having trouble with a particularly tricky step

DON'Ts

- ✘ We know power tools are quick and easy, but you shouldn't use them when assembling this product (unless otherwise specified)
- ✘ Never move your furniture with items inside or resting on the surface
- ✘ Do not attempt to use this product before all steps have been completed



Watch assembly videos right on your phone or computer!



Some steps include QR codes that link to helpful videos. Watch out for the icon below! Simply open up your smartphone camera to scan the code.

(Users of older smartphones may need to install a QR Reader.)

SCAN HERE



FOR VIDEOS

Or visit <https://www.bushbusinessfurniture.com/CustomerService/HowtoAssemble.aspx>

IMPORTANT SAFETY INFORMATION



PLEASE READ WARNINGS

Improper use can cause safety hazards, or damage to your furniture and household items.

Warning	Do	Don't	Why it's important
Serious injury may occur.	<ul style="list-style-type: none">Assemble following all instructions using all indicated parts and hardware provided.	<ul style="list-style-type: none">Do not move unit when loaded.Do not load with a television or other heavy equipment.Do not exceed the maximum load limits stated in the instructions.Do not lean against, sit on, stand on, crawl or lie underneath desk frame.	Improper assembly, use or loading can lead to product instability, tip-over or collapse.
Death or serious injury may occur.	<ul style="list-style-type: none">Keep all liquids away from electrical components.	<ul style="list-style-type: none">Do not attempt to service Legs, Control Box, or Control Switch.	Electric shock may occur.
Serious injury or property damage may occur.	<ul style="list-style-type: none">Clear all obstacles that may impede desk's travel.	<ul style="list-style-type: none">Do not place objects taller than 20 inches (508mm) underneath desk.	Desk may become unstable and components may be damaged upon collision with obstacles.
Serious injury may occur.	<ul style="list-style-type: none">Maintain 1 inch (25mm) clearance between desk and all other furniture at all times.		Pinch points may be created by placing desk too close to other furniture or objects.
Death or serious injury may occur.		<ul style="list-style-type: none">Do not allow children to operate electric height adjustable desks.	Unattended or improper use by children may lead to product instability or entrapment.

IMPORTANT SAFETY INFORMATION



PLEASE READ WARNINGS

Improper use can cause safety hazards, or damage to your furniture and household items.

Advertencia	Hacer	No	Por qué es importante
Se pueden producir lesiones graves.	<ul style="list-style-type: none">• Ensamble siguiendo todas las instrucciones utilizando todas las piezas y ferretería indicados provistos.	<ul style="list-style-type: none">• No mueva la unidad cuando esté cargada.• No cargue con un televisor u otro equipo pesado.• No exceda los límites máximos de carga establecidos en las instrucciones.• No se apoye, se siente, se pare, se arrastre ni se acueste debajo del marco del escritorio.	El ensamblaje, uso o carga inadecuados pueden provocar inestabilidad del producto, vuelco o colapso.
Puede ocurrir la muerte o lesiones graves.	<ul style="list-style-type: none">• Mantenga todos los líquidos alejados de los componentes eléctricos.	<ul style="list-style-type: none">• No intente servir las piernas, la caja de control o el interruptor de control.	Puede ocurrir una descarga eléctrica.
Se pueden producir lesiones graves o daños a la propiedad.	<ul style="list-style-type: none">• Despeje todos los obstáculos que puedan impedir el viaje del escritorio.	<ul style="list-style-type: none">• No coloque objetos más altos que 20 pulgadas (508 mm) debajo del escritorio.	El escritorio puede volverse inestable y los componentes pueden dañarse en caso de colisión con obstáculos.
Se pueden producir lesiones graves.	<ul style="list-style-type: none">• Mantenga un espacio de 1 pulgada (25 mm) entre el escritorio y todos los demás muebles en todo momento.		Se pueden crear puntos de pellizco colocando el escritorio demasiado cerca de otros muebles u objetos.
Puede ocurrir la muerte o lesiones graves.		<ul style="list-style-type: none">• No permita que los niños operen escritorios eléctricos de altura ajustable.	El uso desatendido o inadecuado por parte de los niños puede provocar inestabilidad o atrapamiento del producto.

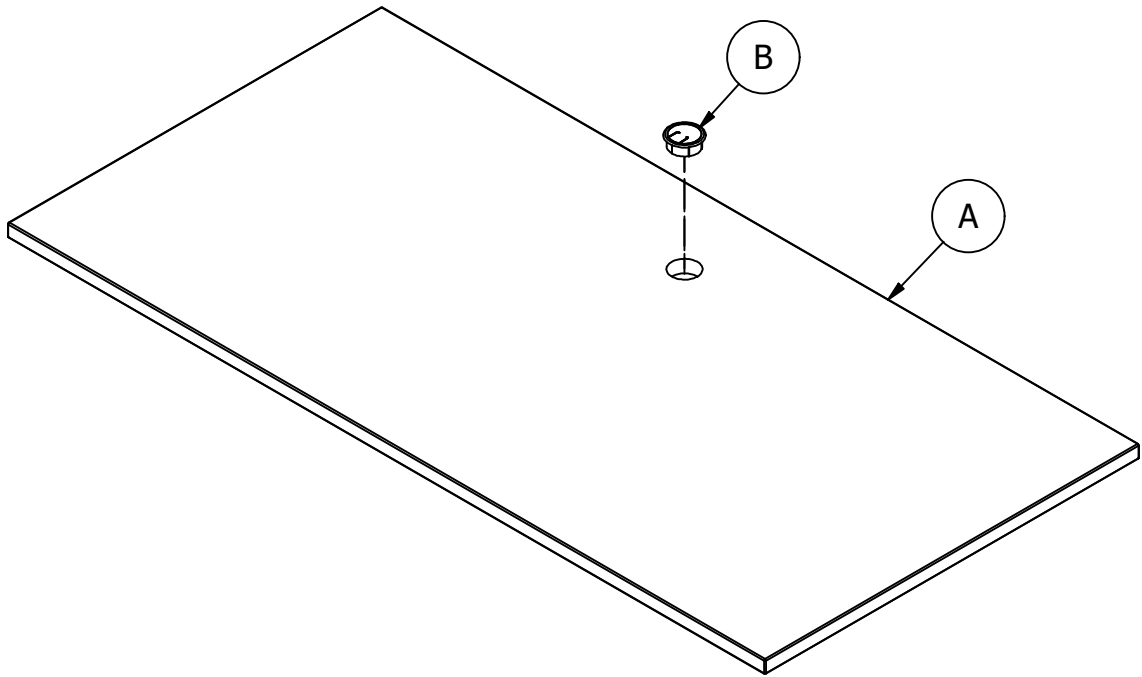
IMPORTANT SAFETY INFORMATION



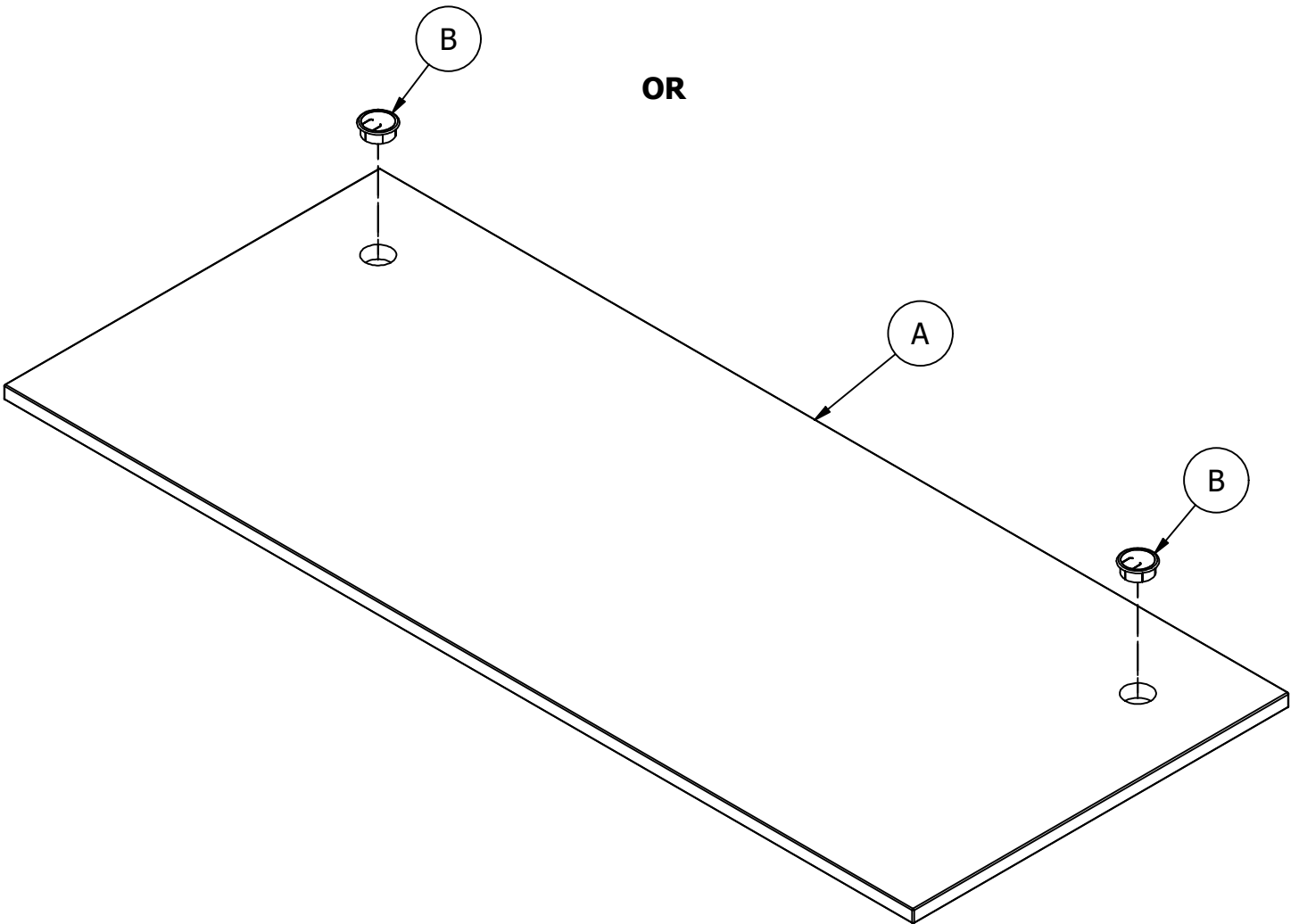
PLEASE READ WARNINGS

Improper use can cause safety hazards, or damage to your furniture and household items.

Avertissement	Faire	Ne le fais pas	Pourquoi c'est important
Des blessures graves peuvent survenir.	<ul style="list-style-type: none">Assemblez en suivant toutes les instructions en utilisant toutes les pièces et le matériel indiqués fournis.	<ul style="list-style-type: none">Ne déplacez pas l'unité lorsqu'elle est chargée.Ne chargez pas avec un téléviseur ou un autre équipement lourd.Ne dépassez pas les limites de charge maximale indiquées dans les instructions.Ne vous appuyez pas, ne vous asseyez pas, ne vous tenez pas debout, ne rampez pas et ne vous allongez pas sous le cadre du bureau.	Un assemblage, une utilisation ou un chargement incorrects peuvent entraîner une instabilité du produit, un renversement ou un effondrement.
La mort ou des blessures graves peuvent survenir.	<ul style="list-style-type: none">Gardez tous les liquides à l'écart des composants électriques.	<ul style="list-style-type: none">N'essayez pas de servir les jambes, le boîtier de commande ou l'interrupteur de commande.	Un choc électrique peut se produire.
Des blessures graves ou des dommages matériels peuvent survenir.	<ul style="list-style-type: none">Éliminez tous les obstacles pouvant gêner le déplacement du bureau.	<ul style="list-style-type: none">Ne placez pas d'objets de plus de 20 pouces (508 mm) sous le bureau.	Le bureau peut devenir instable et les composants peuvent être endommagés lors d'une collision avec des obstacles.
Des blessures graves peuvent survenir.	<ul style="list-style-type: none">Maintenez un espace de 1 pouce (25 mm) entre le bureau et tous les autres meubles en tout temps.		Des points de pincement peuvent être créés en plaçant le bureau trop près d'autres meubles ou objets.
La mort ou des blessures graves peuvent survenir.		<ul style="list-style-type: none">Ne laissez pas les enfants utiliser des bureaux électriques à hauteur réglable.	Une utilisation sans surveillance ou inappropriée par des enfants peut entraîner une instabilité ou un coincement du produit.

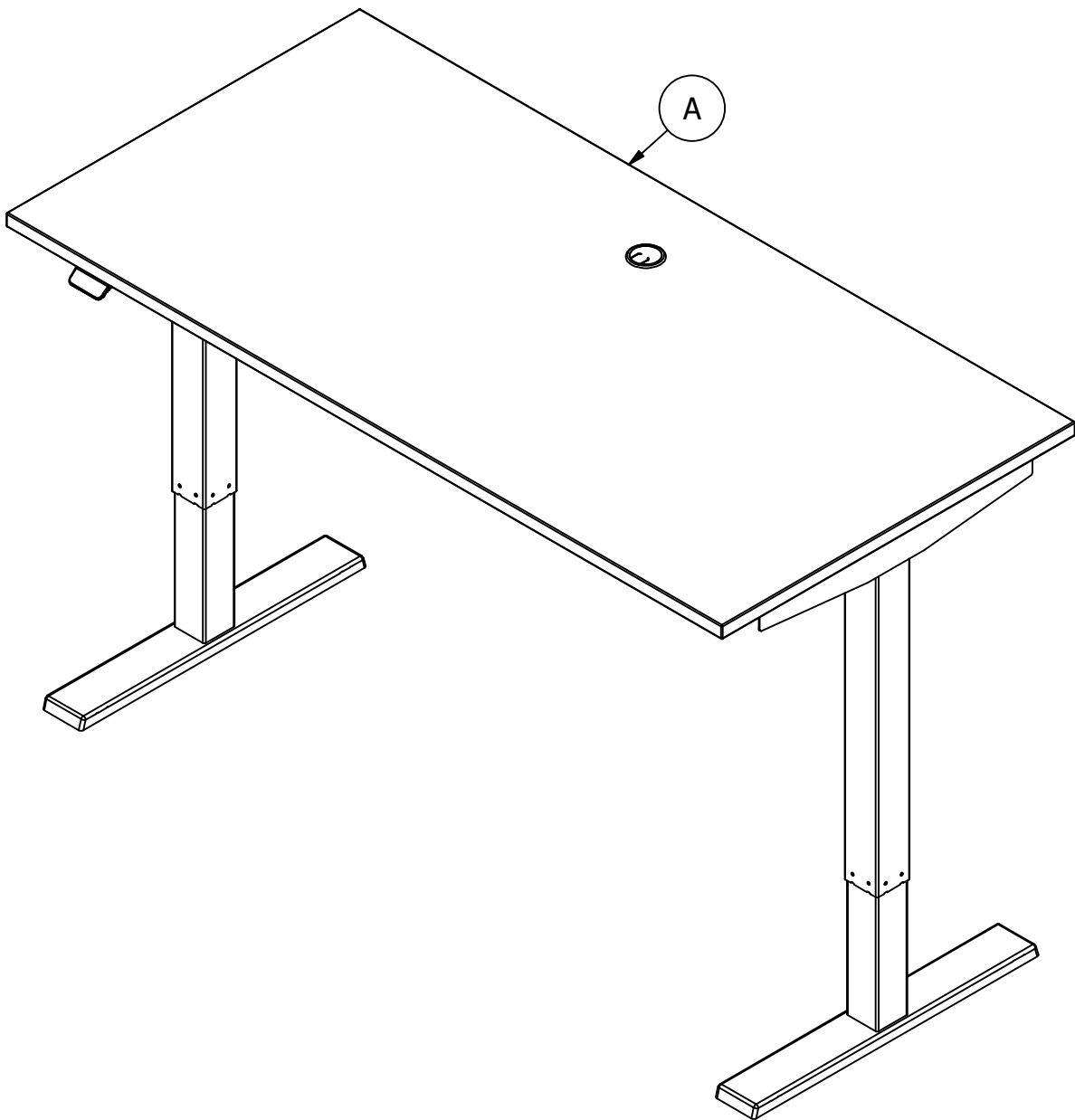


OR



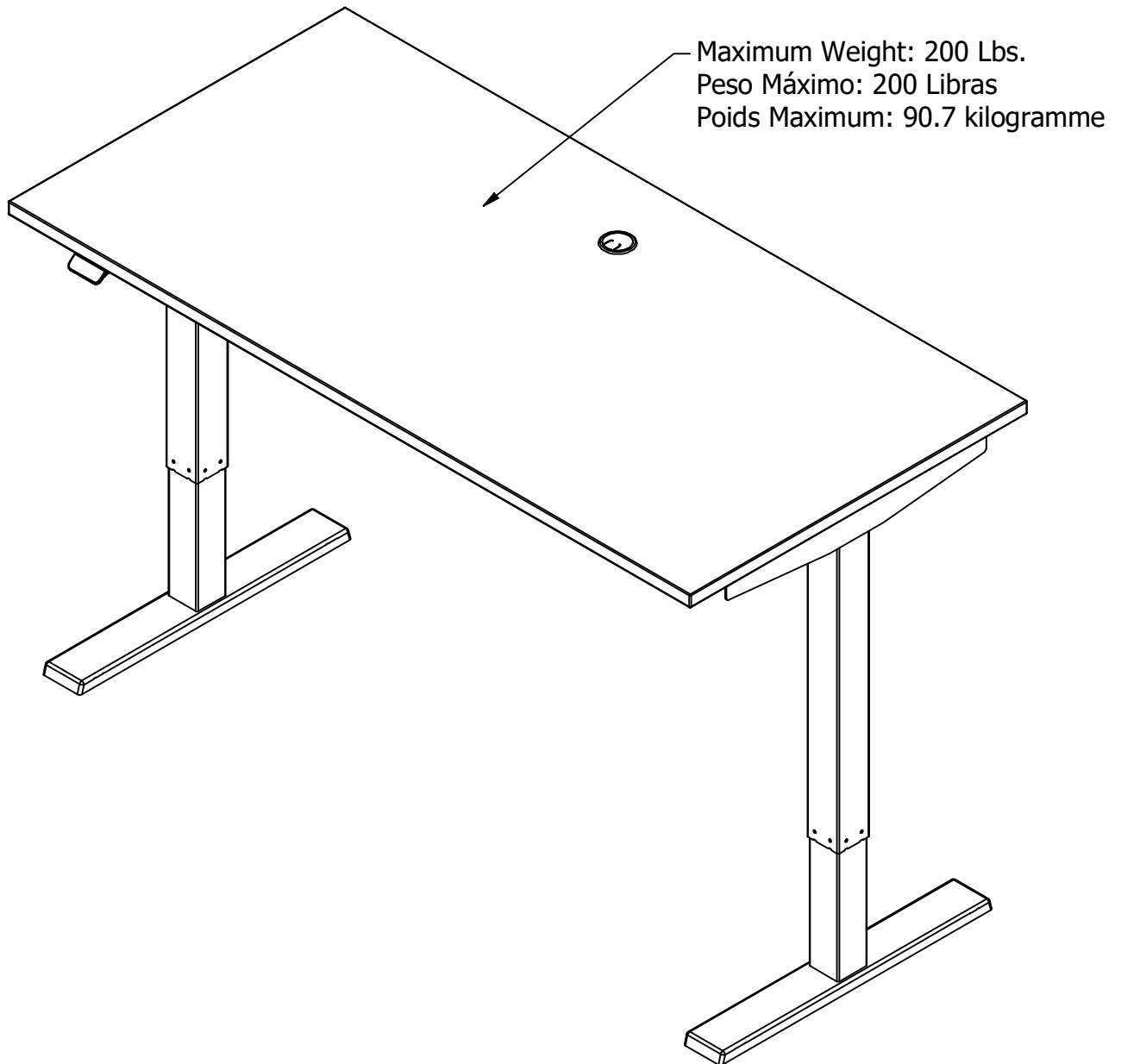
Have an assembly question or need a replacement part? Just call
1-800-950-4782, we are here to help.

For leg kit attachment, please use the assembly instructions supplied with the leg kit.
Para la instalación del juego de patas, use las instrucciones de ensamblaje provistas con el juego de patas.
Pour l'attachement de kit de jambe, employez svp les instructions de montage fourni avec le kit de jambe.



Have an assembly question or need a replacement part? Just call
1-800-950-4782, we are here to help.

Gently clean surfaces with a damp sponge eraser.
Nettoyer doucement les surface à l'aide d'un chiffon.
Limpie suavemente las superficies con un paño.



Congratulations! You are all done. If
you have any questions or concerns,
please call.

Have an assembly question or need a replacement part? Just call
1-800-950-4782, we are here to help.

HAT4824

HAT4824ABW
A [1] W222597
B [1] H118700

HAT4824AHC
A [1] W222598
B [1] H118700

HAT4824AMH
A [1] W222599
B [1] H151406

HAT4824AMR
A [1] W222600
B [1] H118700

HAT4824ANE
A [1] W222425
B [1] H216048

HAT4824APG
A [1] W222602
B [1] H184440

HAT4824ASG
A [1] W222603
B [1] H184440

HAT4824AWH
A [1] W222601
B [1] H184440

HAT6030

HAT6030ABW
A [1] W222605
B [1] H118700

HAT6030AHC
A [1] W222606
B [1] H118700

HAT6030AMH
A [1] W222607
B [1] H151406

HAT6030AMR
A [1] W222608
B [1] H118700

HAT6030ANE
A [1] W222426
B [1] H216048

HAT6030APG
A [1] W222610
B [1] H184440

HAT6030ASG
A [1] W222611
B [1] H184440

HAT6030AWH
A [1] W222612
B [1] H184440

HAT7230

HAT7230ABW
A [1] W222613
B [2] H118700

HAT7230AHC
A [1] W222614
B [2] H118700

HAT7230AMH
A [1] W222615
B [2] H151406

HAT7230AMR
A [1] W222616
B [2] H118700

HAT7230ANE
A [1] W222427
B [2] H216048

HAT7230APG
A [1] W222618
B [2] H184440

HAT7230ASG
A [1] W222619
B [2] H184440

HAT7230AWH
A [1] W222620
B [2] H184440