

JASPER END TABLE ASSEMBLY INSTRUCTIONS

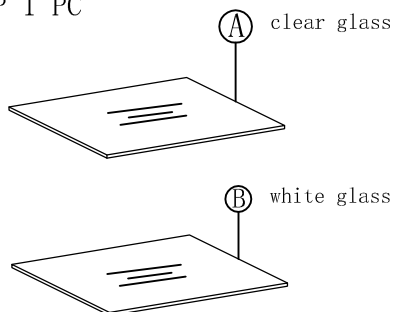


PARTS/PACKAGING CONFIGURATION

BOX #1

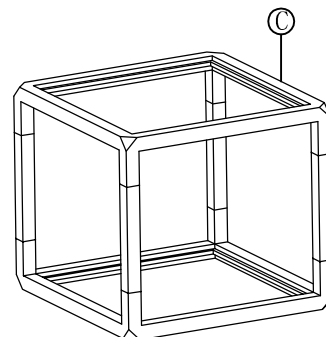
A. TABLE TOP 1 PC

B. TABLE TOP 1 PC

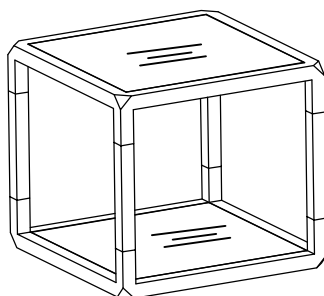


BOX #2

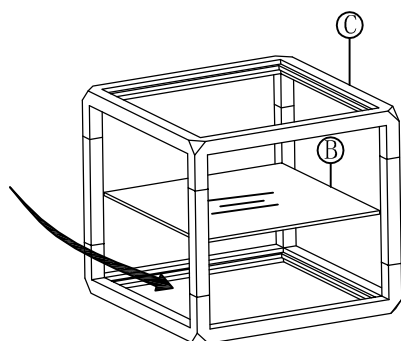
C. TABLE BASE 1 PC



JASPER END TABLE FULLY ASSEMBLED



STEP 1:



STEP 2:

