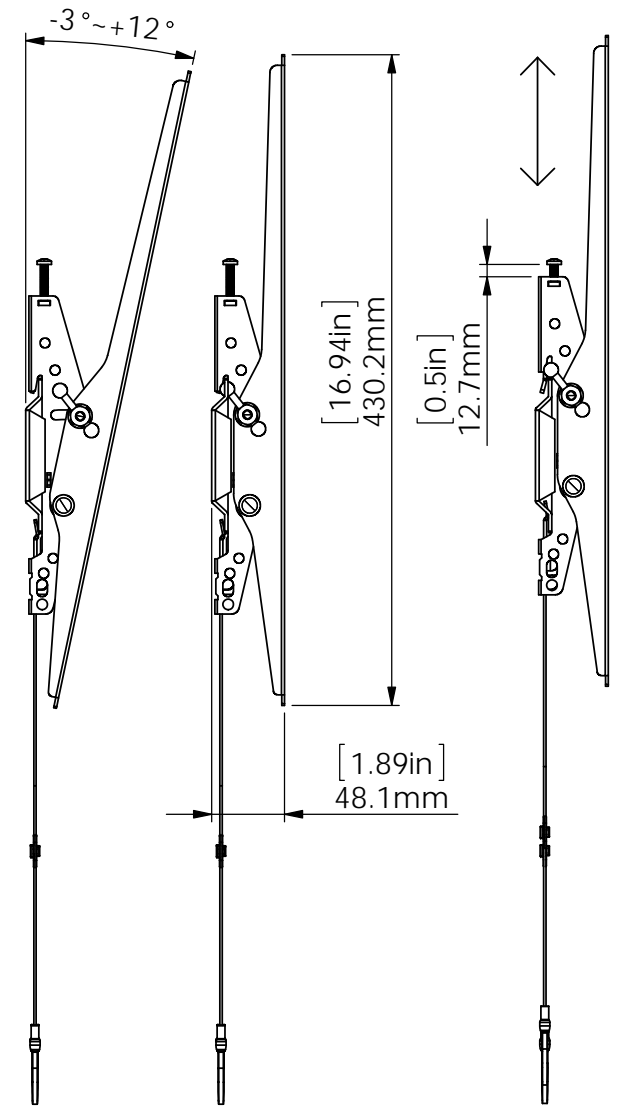
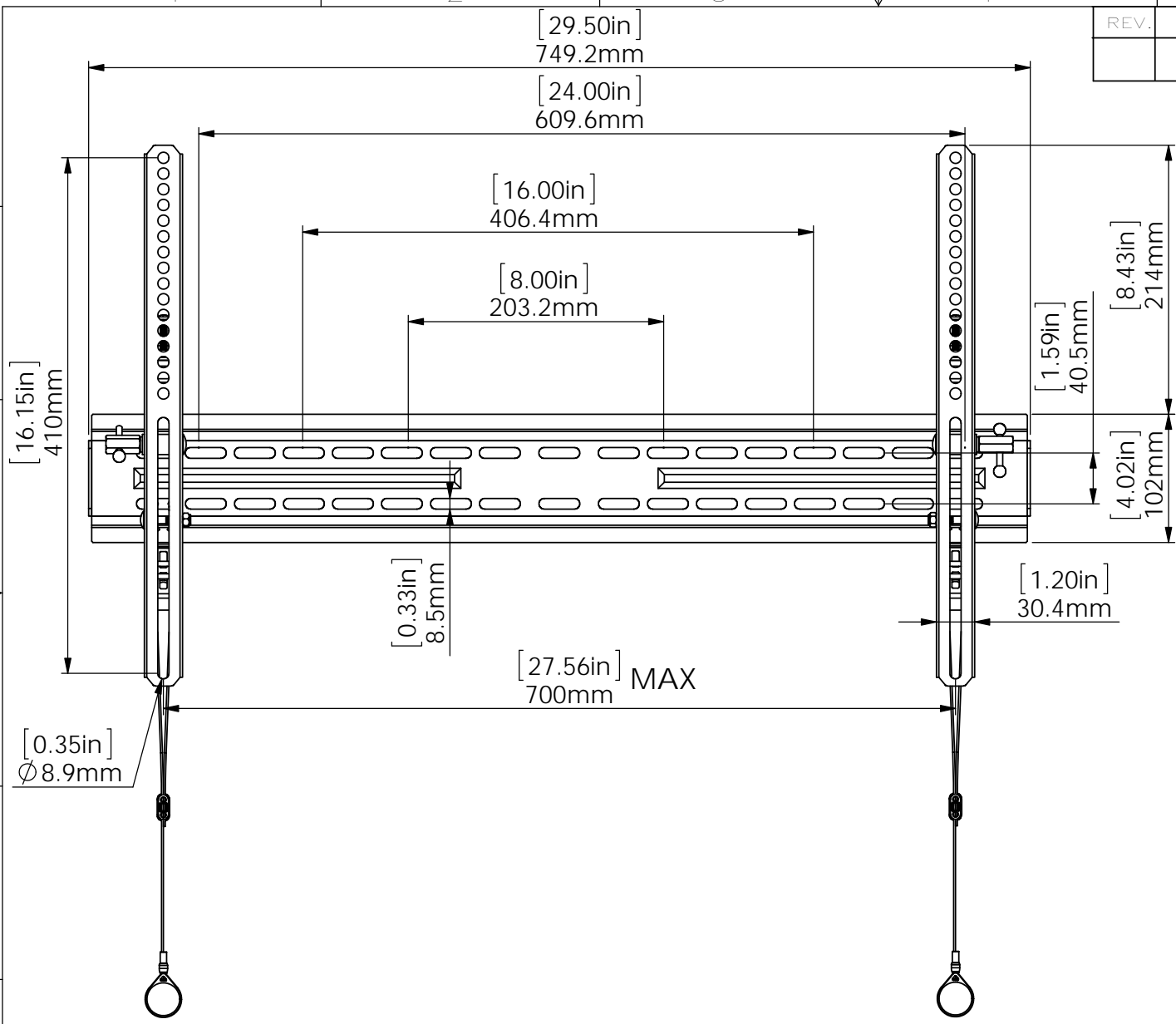


REV.	DESCRIPTION	DESIGNER	DATE

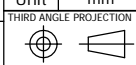


NOTES: UNLESS OTHERWISE SPECIFIED

- VESA STANDARD COMPATABILITY (WIDTH X HEIGHT): 75X75 TO 700X400mm;
- MAXIMUM VESA MOUNTING CONFIGURATION: 700X400mm;
- SCREEN SIZE COMPATABILITY: 37"-90" SCREENS
- MAXIMUM WEIGHT CAPACITY: 175 LBS (79.5 KG)
- PRODUCT COLOR: BLACK
- VIEWING ANGLE INCREMENTS:  $-3^{\circ} \sim +12^{\circ}$ .

TOLERANCE: GB/T 1804-2000 Middling		
DIMENSION	Ubity	Angle
0 ~ 29	$\pm 0.15$	$\pm 1'$
30 ~ 119	$\pm 0.3$	$\pm 0.5'$
120 ~ 399	$\pm 0.5$	$\pm 0.3'$
400 ~ 1000	$\pm 0.8$	$\pm 0.2'$
$\geq 1000$	$\pm 1.2$	$\pm 0.1'$
UNLESS OTHERWISE SPECIFIED		

DESIGN	Mat
CHECKED	Scale
APPROVED	Unit
	mm



MODEL	
Prat name	
BRKT TLT3790MAX-LVL	
DRAWING NUMBER	REV.
	NR
第 1 页	共 1 页