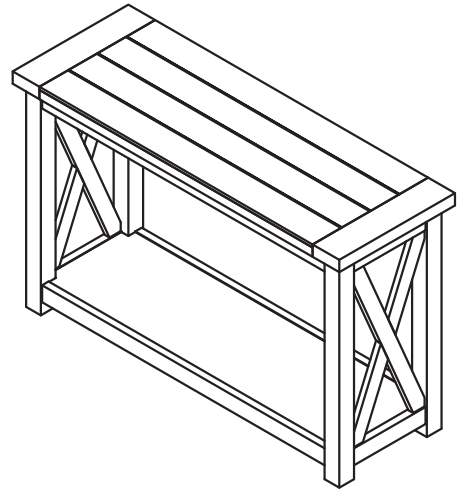


# Console Table



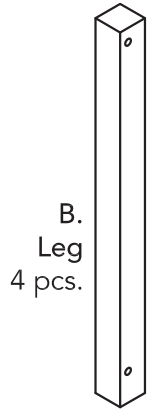
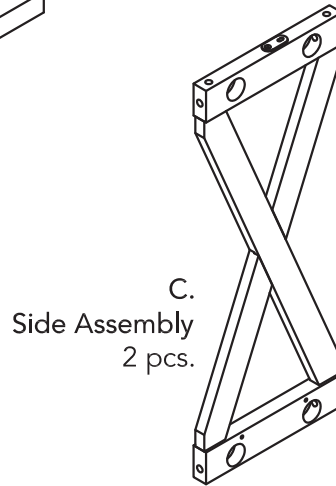
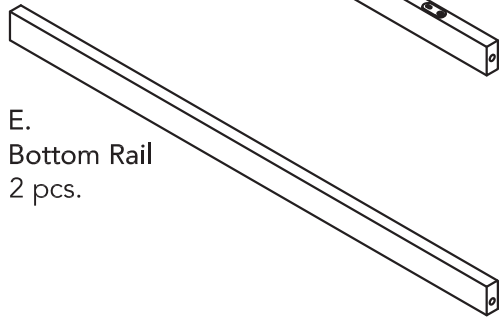
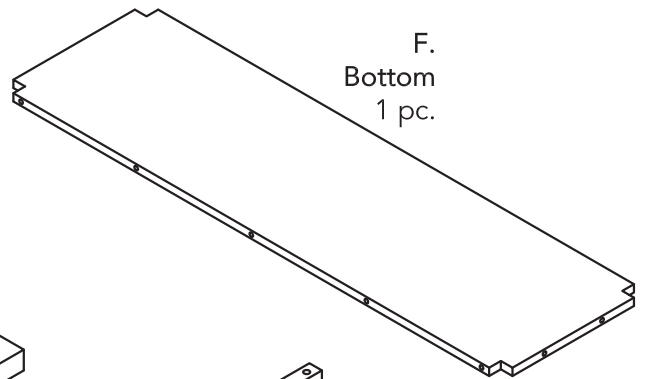
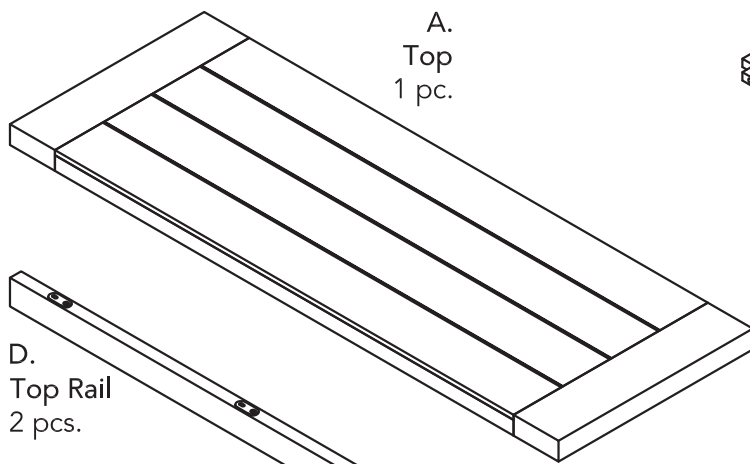
## IMPORTANT

Carefully remove all the parts from the carton and place them individually on a soft cloth to prevent scratches or other damage.

Carefully and strictly follow these assembly instructions to ensure a completed product as designed.

Do not use power tools above 8 volts to assemble.

## Part List



## Hardware List



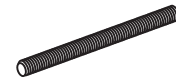
Cam Lock Screw  
14 pcs. (+2 extra)



Cam Lock  
14 pcs. (+2 extra)



M4x19  
3/4" Flat Head Screw  
8 pcs. (+1 extra)



5/16" x 3 5/32"  
Bolt  
16 pcs. (+1 extra)



Flat Washer  
16 pcs. (+1 extra)



Nut  
16 pcs. (+1 extra)



Wrench  
1 pc.

Tool(s) required for assembly: Phillips screwdriver, Level

Home Styles Customer Service: [www.homestyles-furniture.com](http://www.homestyles-furniture.com),  
[servicedesk@homestyles-furniture.com](mailto:servicedesk@homestyles-furniture.com), 888-680-7460, 877-831-0319

# Assembly Instructions 2/5

## IMPORTANT

- Use a soft cloth between these parts and the floor.
- Do not use power tools above 8 volts to assemble.
- Do not tighten all the screws until each part is properly assembled.
- The unit must be level to work properly. Use the included adjustable levelers to level.
- Keep Wrench as the Nuts may need to be tightened in the future.

## STEP 1

Insert Cam Lock Screws into pre-drilled holes in Side Assemblies (C) and Bottom Rails (E), then tighten.

Insert Bolts into pre-drilled holes in Legs (B), then tighten.

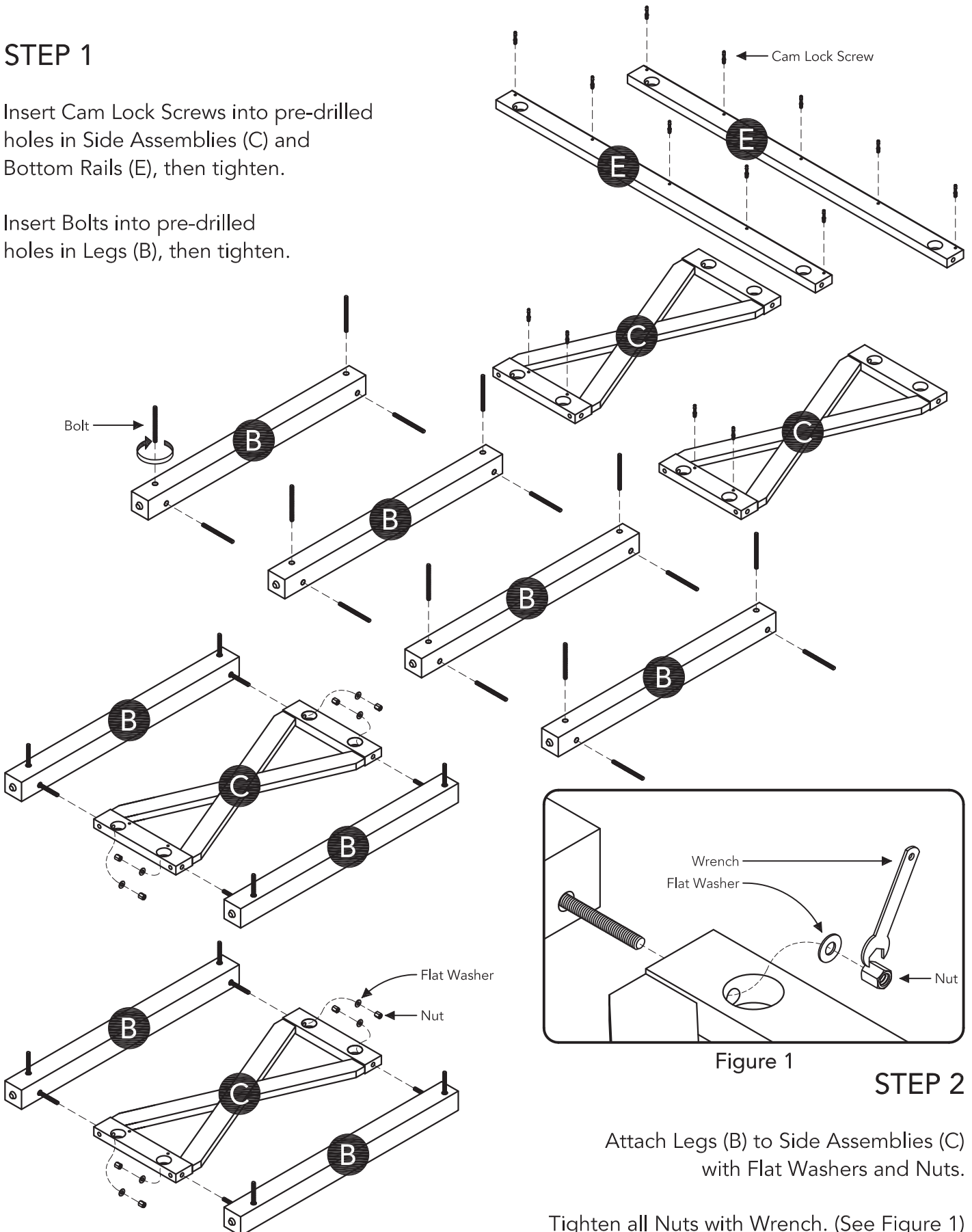


Figure 1

## STEP 2

Attach Legs (B) to Side Assemblies (C) with Flat Washers and Nuts.

Tighten all Nuts with Wrench. (See Figure 1)

# Assembly Instructions 3/5

## STEP 3

Attach Bottom Rails (E) to Bottom (F) with Cam Locks.  
(See Figure 2)

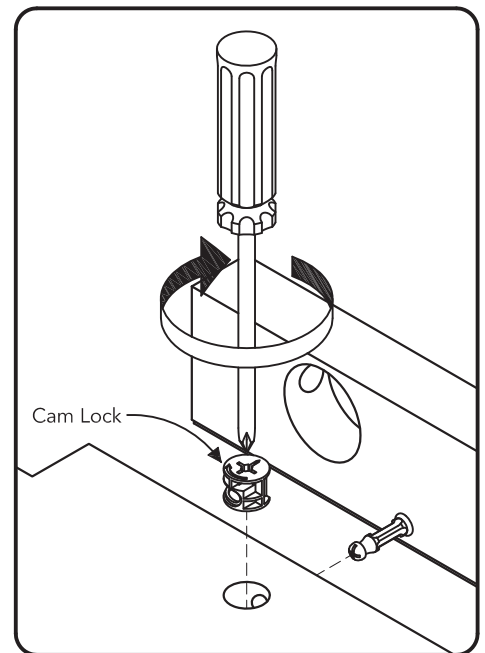
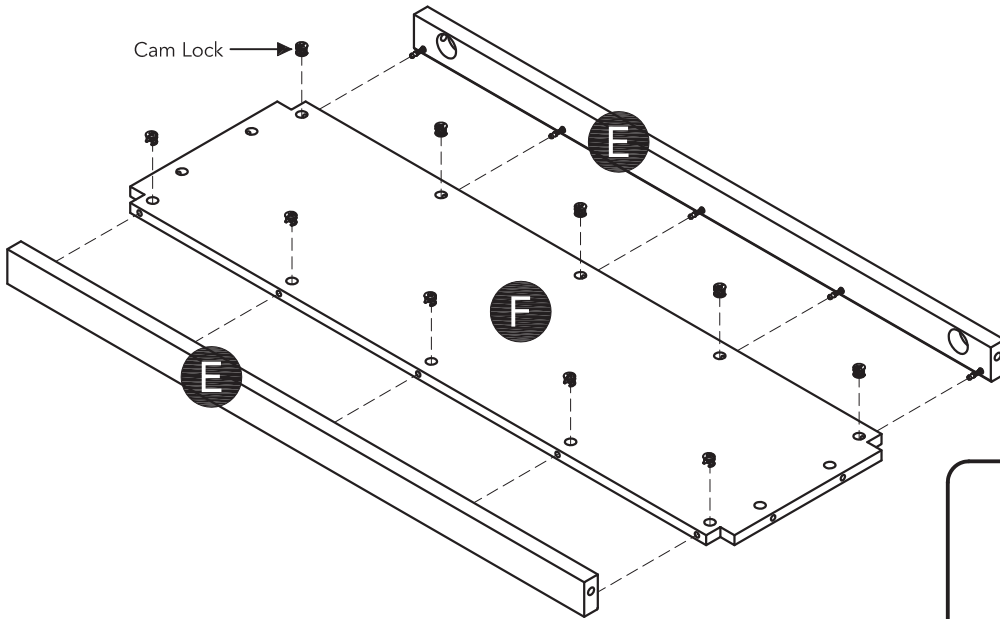
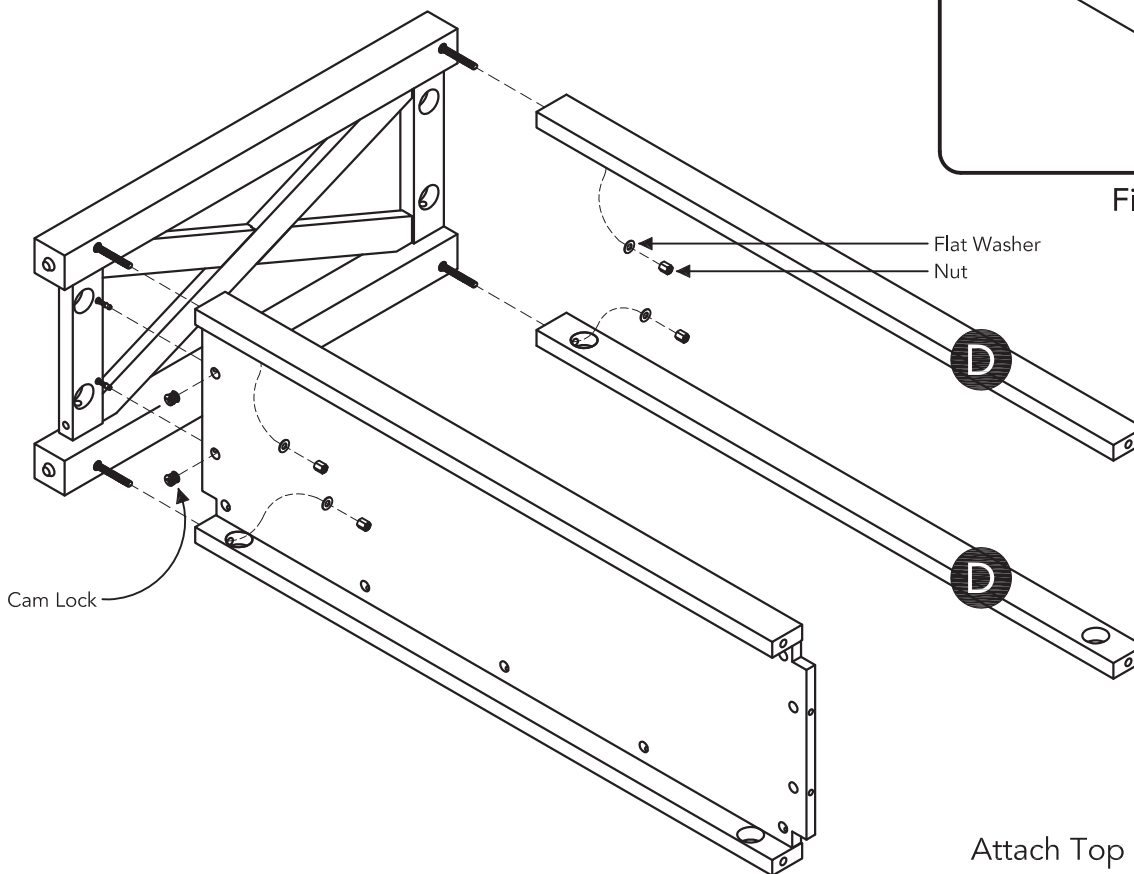


Figure 2



## STEP 4

Attach Top Rails (D) and unit to side unit from Step 2 with Flat Washers, Nuts and Cam Locks.

Tighten all Nuts with Wrench.

# Assembly Instructions 4/5

## STEP 5

Attach side unit from Step 2 to unit with Flat Washers, Nuts and Cam Locks.

Tighten all Nuts with Wrench.

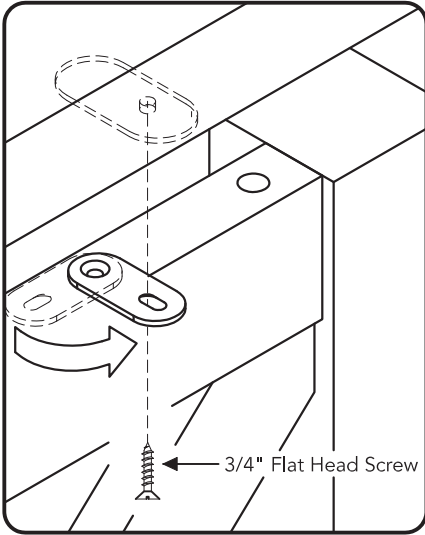
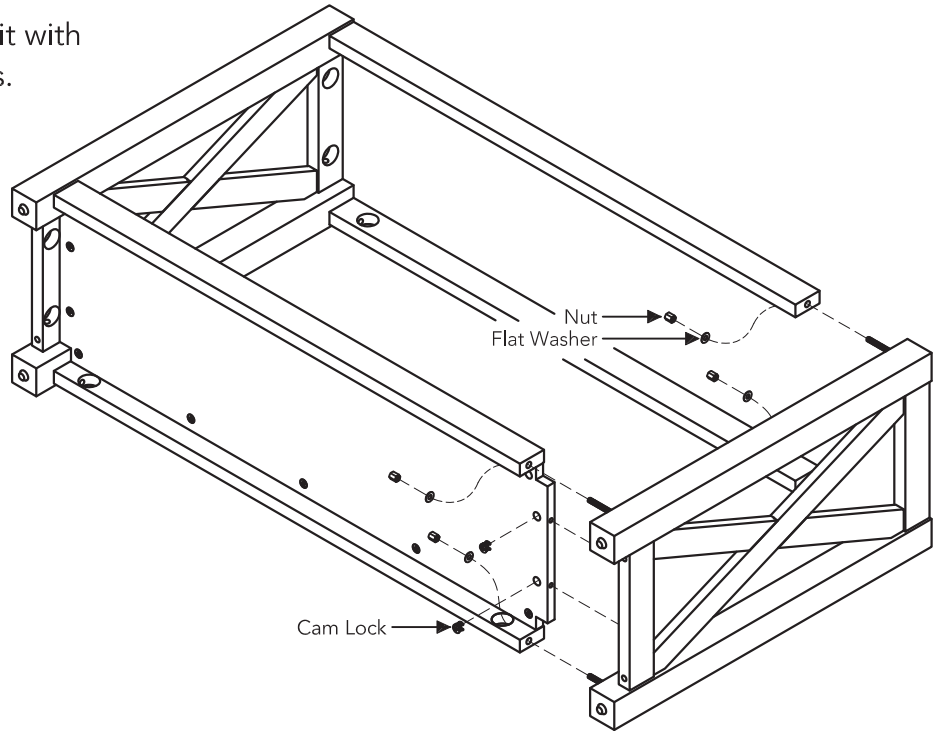


Figure 3



## STEP 6

Rotate metal tabs on unit out and attach Top (A) to unit with 3/4" Flat Head Screws.  
(See Figure 3)

Level unit by adjusting the adjustable levelers on bottom of unit.  
(See Figure 4)

Note: Unit must be level to work properly.

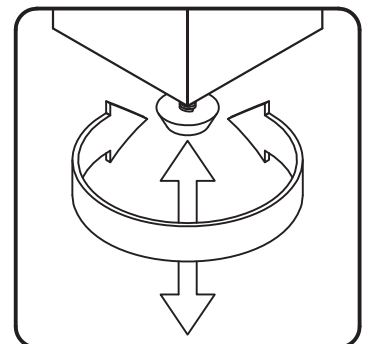
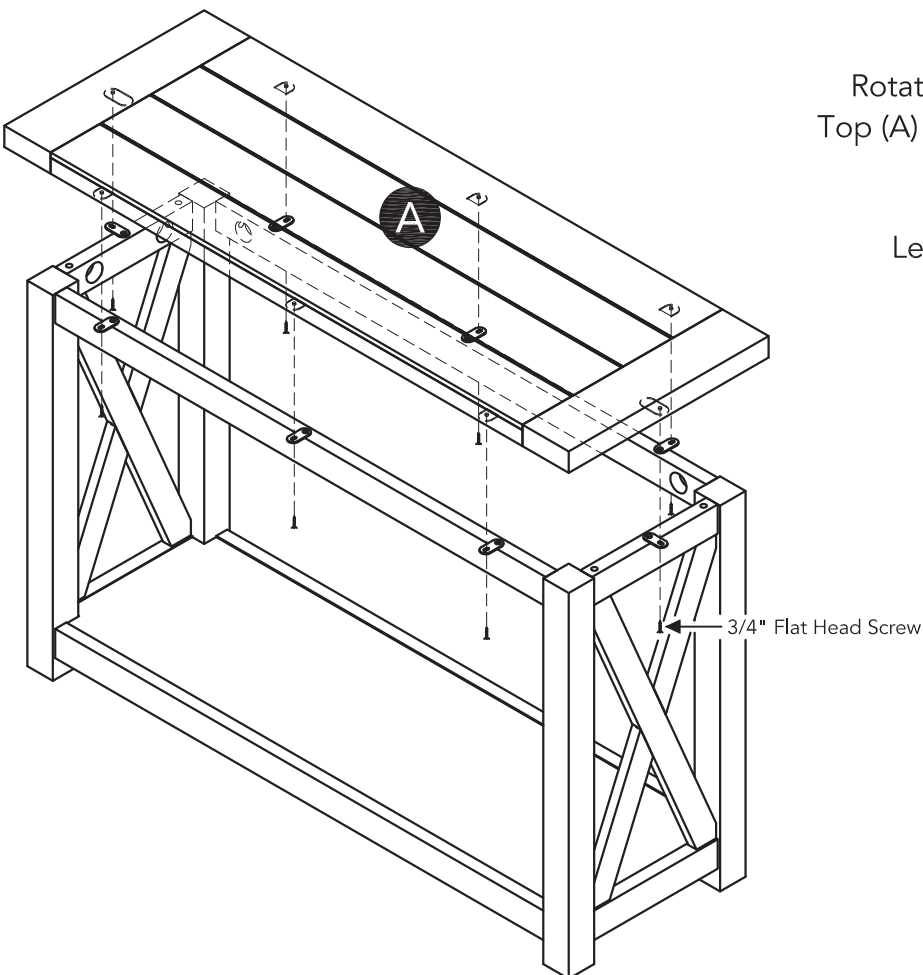


Figure 4

# Assembly Instructions 5/5

## IMPORTANT

- To help reduce the risk of the unit tipping over, the Tip-over Restraint must be installed following these instructions exactly.

## STEP 7

Place unit at desired location.

Mark wall with pencil just above Top (A) in center of unit. (See Figure 5)

Move unit.

Drill a 3/8" hole in wall 1 1/2" below mark.

Insert Anchor into the wall hole and attach Tip-over Restraint to Anchor with 1 1/2" Round Head Screw and Flat Washer. (See Figure 6)

Move unit back into place. (See Figure 7)

Attach Tip-over Restraint to inside of Top Rail (D) with 1/2" Round Head Screw and Flat Washer. (See Figure 8)

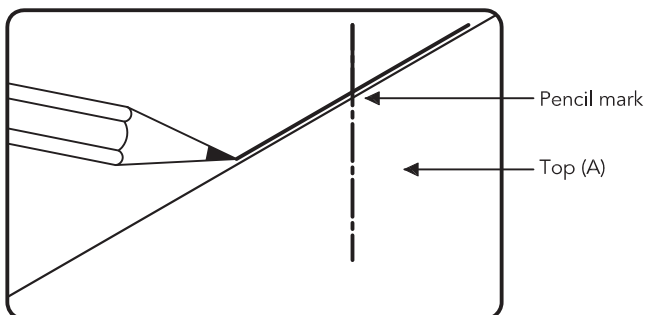
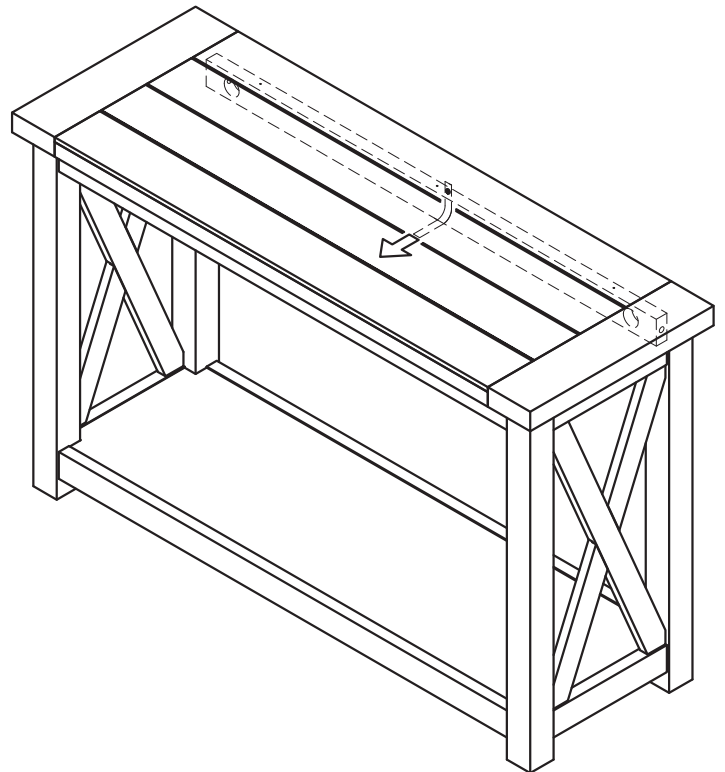


Figure 5

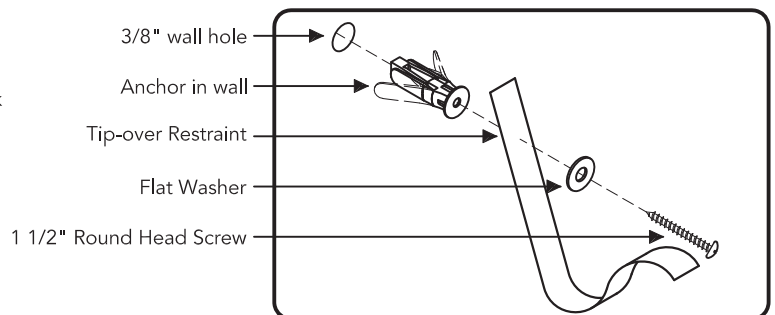


Figure 6

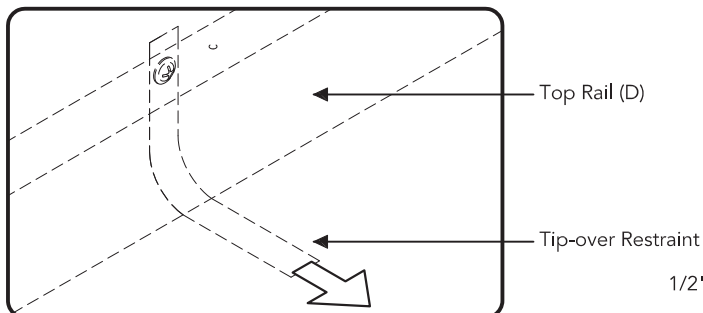


Figure 7

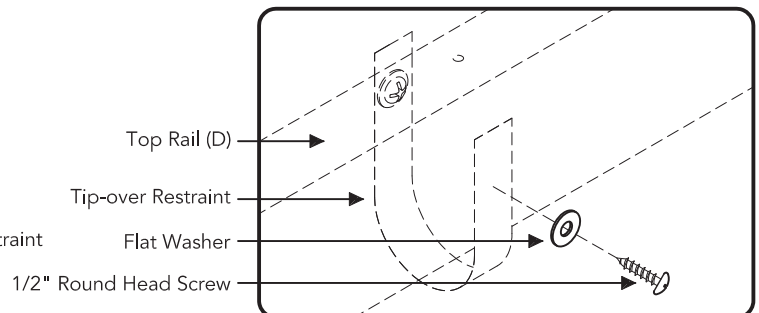
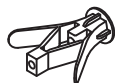


Figure 8

## Hardware List



Tip-over Restraint  
1 pc.



Anchor  
1 pc. (+1 extra)



(M3x38)  
1 1/2" Round Head Screw  
1 pc. (+1 extra)



(M3x13)  
1/2" Round Head Screw  
1 pc. (+1 extra)



Flat Washer  
2 pcs. (+1 extra)

# CARE INSTRUCTIONS

## NEVER

allow liquids to remain on furniture.  
Absorption causes parts to warp  
and split and finishes to delaminate.

## NEVER

use glass cleaners on  
finished furniture. Ammonia  
chemically attacks the finish.



Do not use power tools  
above 8 volts to assemble.

**PREVENT  
CRACKING**



Do not place  
in direct sunlight.

**PREVENT  
FADING**



Do not write  
directly on surface.

**PREVENT  
MARKING**



Do not place hot  
objects on surface.

**PREVENT  
FINISH DAMAGE**



Do not use rubber  
based placemats.

**PREVENT  
DISCOLORING**



Do not use commercial  
waxes and polishes.

**PREVENT  
YELLOWING**

## CLEAN

with a soft cloth moistened  
in lukewarm soap and water.  
Buff with a dry clean cloth.



Home Styles will provide replacements free of charge for missing or damaged hardware or parts within 30 days of purchase. Digital images of the defective parts may be required. If the product was not purchased from an authorized retail affiliate, Home Styles is under no obligation to provide replacement parts. Parts are not available for fully assembled items nor are parts available for sale. Replacements for missing or damaged hardware or parts may be requested at:

[www.homestyles-furniture.com/customer-service/replacement-parts](http://www.homestyles-furniture.com/customer-service/replacement-parts)

Home Styles Customer Service: [www.homestyles-furniture.com](http://www.homestyles-furniture.com),  
[servicedesk@homestyles-furniture.com](mailto:servicedesk@homestyles-furniture.com), 888-680-7460, 877-831-0319