

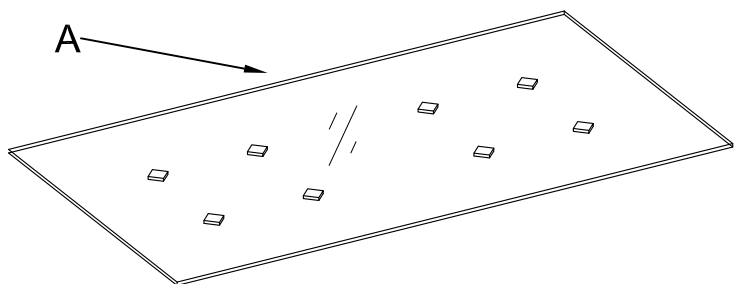
# AMALFI RECTANGULAR TABLE (GLASS TOP) ASSEMBLY INSTRUCTIONS



## PARTS PACKING CONFIGURATIONS

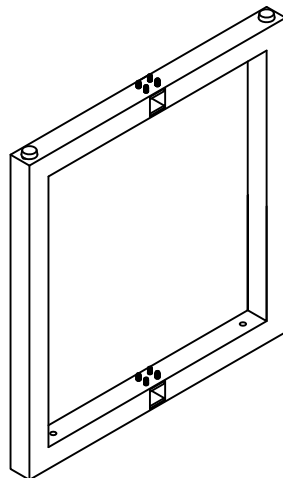
BOX # 1

A. TABLE TOP 1PC

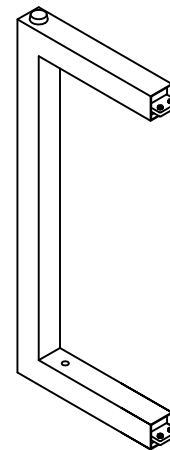


BOX # 2

B. MAIN LEG 2PCS



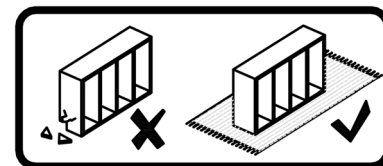
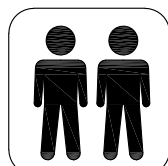
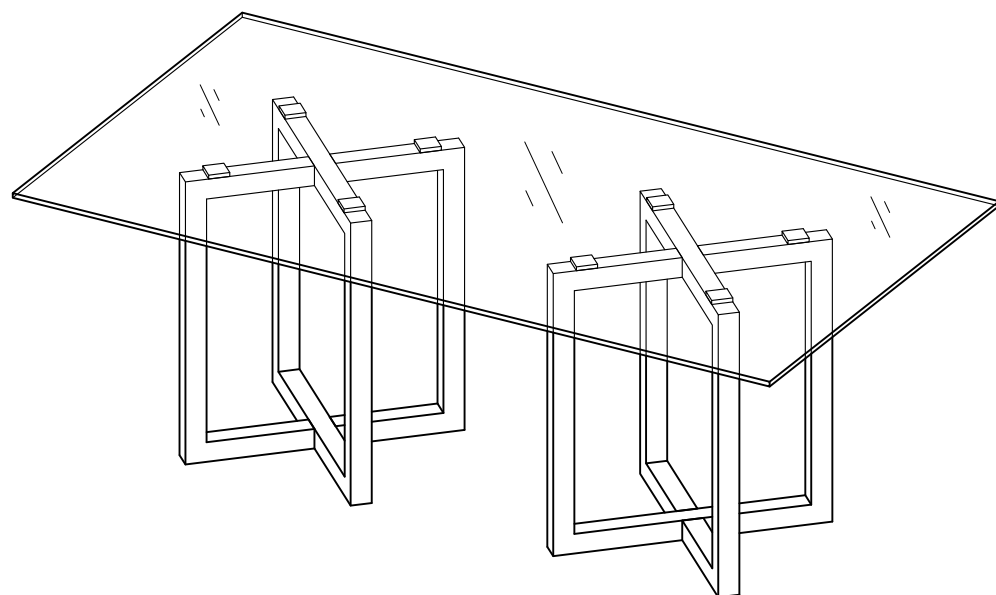
C. SECONDARY LEG 4PCS



### HARDWARE KIT PACKED IN BOX #1

NO.	DESCRIPTION	IMAGE	QTY
1	ALLEN BOLT (M8x60mm)		8 PCS
2	SPRING WASHER (M8)		8 PCS
3	FLAT WASHER (M8)		8 PCS
4	FELT PAD		8 PCS
5	ALLEN KEY (M5)		1 PC

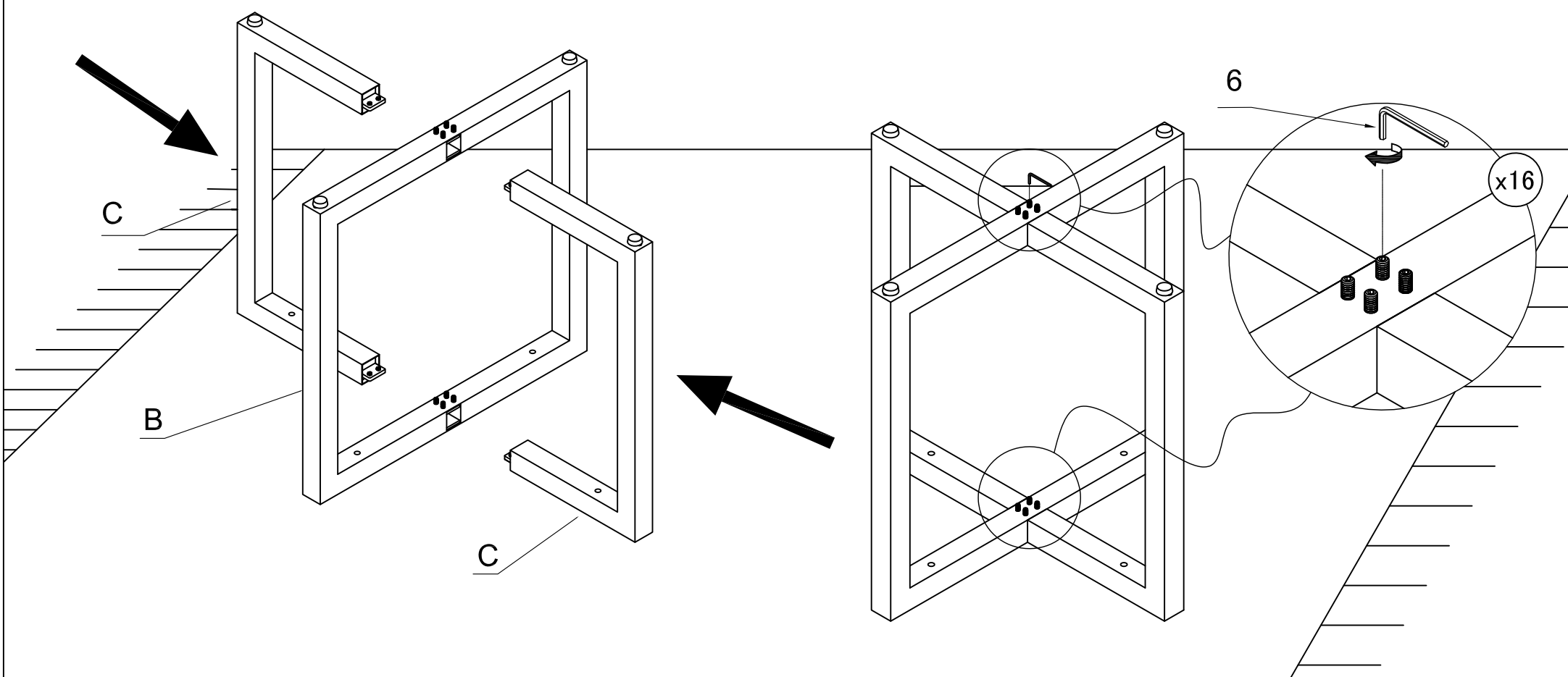
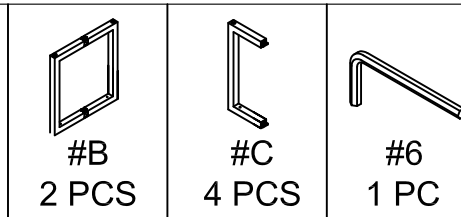
### FULLY ASSEMBLED



### HARDWARE KIT PACKED IN BOX #2

6	ALLEN KEY (M4)		1 PC
---	----------------	--	------

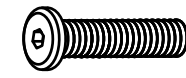
STEP 1:



# AMALFI RECTANGULAR TABLE (GLASS TOP) ASSEMBLY INSTRUCTIONS



STEP 2:



#1  
8 PCS



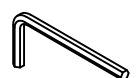
#2  
8 PCS



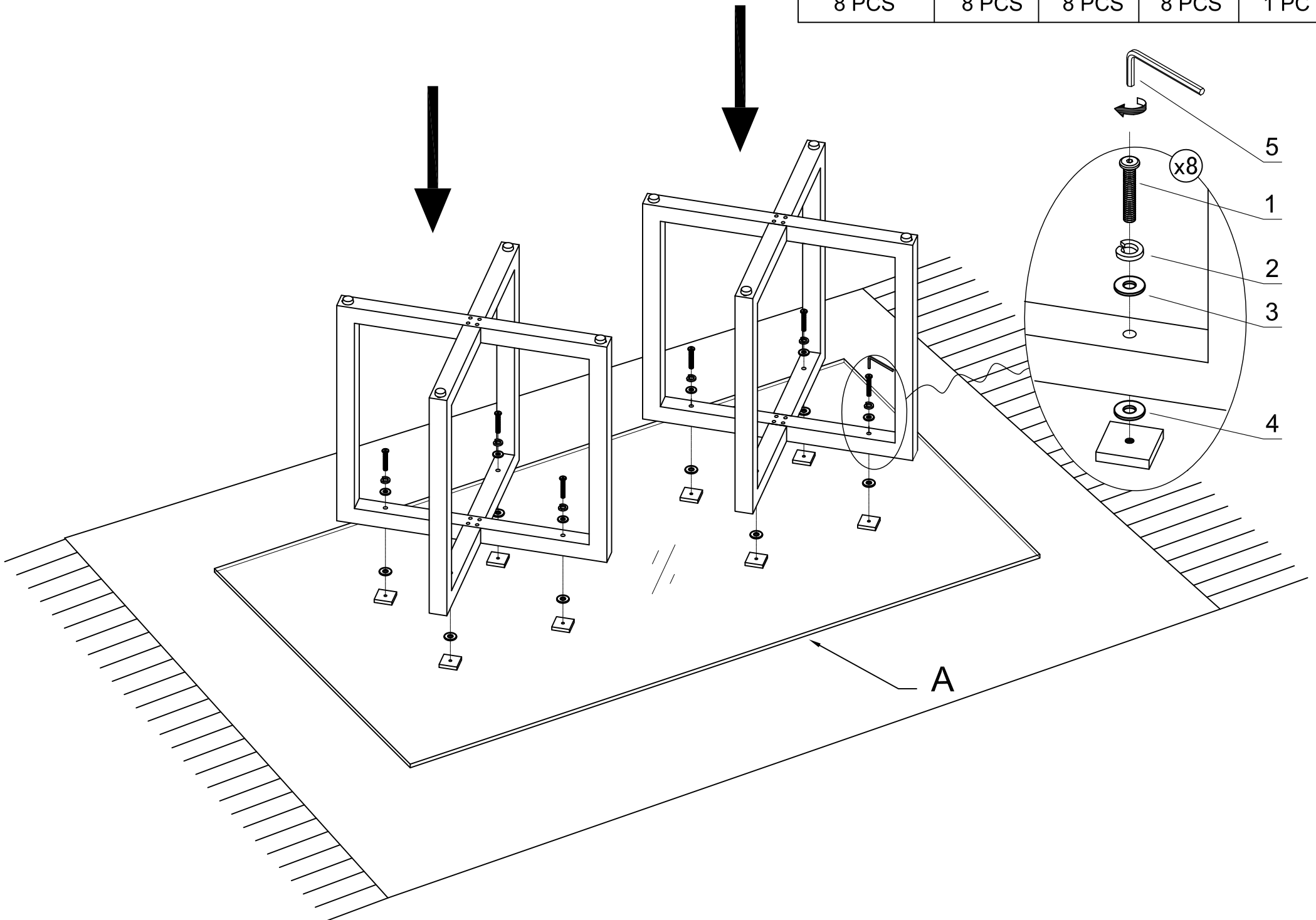
#3  
8 PCS



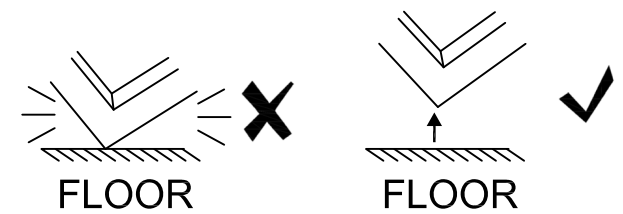
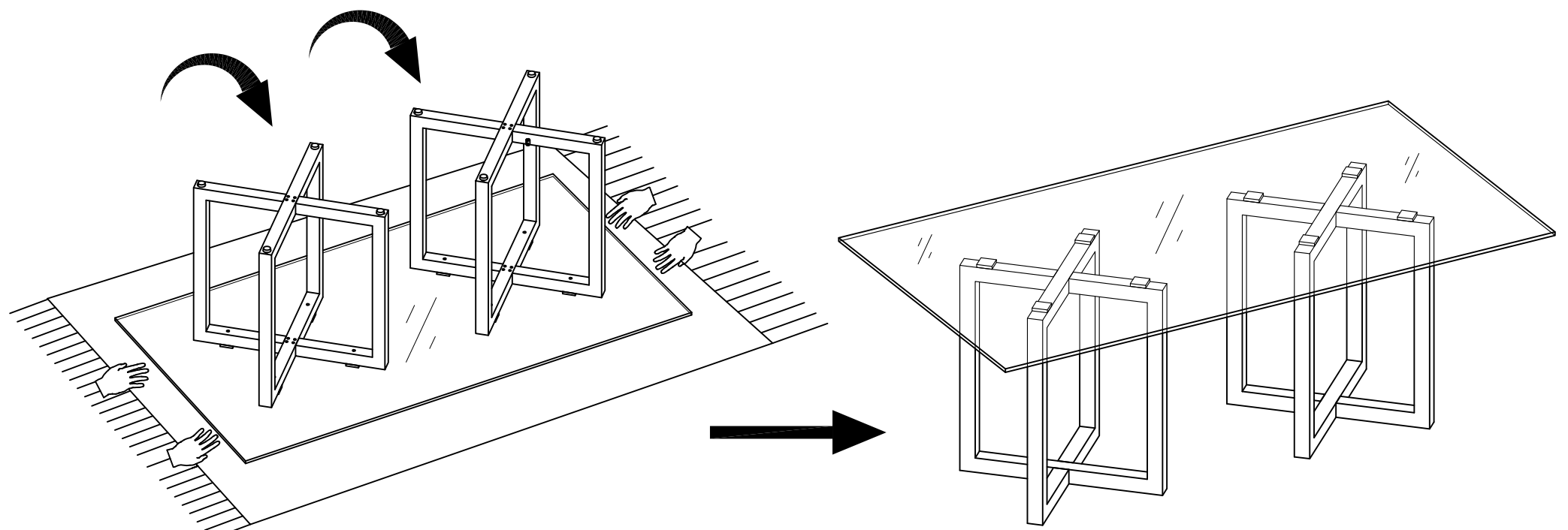
#4  
8 PCS



#5  
1 PC



STEP 3:



# AMALFI RECTANGULAR TABLE (GLASS TOP) ASSEMBLY INSTRUCTIONS



ASSEMBLY COMPLETE

