



Project Name: _____
 Location: _____
 Item #: _____
 Qty: _____

Maxx Cold X-Series Ice Cream Dipping Cabinet Freezer with Curved Glass Sneeze Guard, in White

MXDC-12



The Maxx Cold X-Series Ice Cream Dipping Cabinet Freezer is perfect for displaying and serving ice cream products. The ice cream dipping freezer provides a sanitary, efficient way to serve your customers, and the durable construction offers a cost-effective solution for your operation. This commercial ice cream dipping cabinet is designed for ice cream parlors, restaurants and cafes. The 70-inch ice cream cabinet has a storage capacity of 16 cubic feet and can hold up to 22 ice cream tubs.

FEATURES AND CONSTRUCTION

- Displays and stores up to 22 ice cream tubs; storage capacity of 16 cu ft
- Exterior is constructed of durable white powder coated steel with an interior of white powder coated white steel
- Tub holders are constructed of coated wire with acrylic covers
- Flat, tempered clear glass sliding lids
- Curved tempered glass sneeze guard prevents customers from contaminating your products
- Interior LED lighting enhances the appearance of your ice cream and frozen treats
- 2.5" foamed-in-place polyurethane insulation
- Easy-to-read external digital thermometer display with an adjustable temperature range of -18°F to 10°F (-28°C to -12°C)
- Includes lock and key set with removable pin
- Four (4) heavy-duty casters, two (2) with brakes

STORAGE CAPACITY

- Cubic Feet: 16 cu. ft.
- Total Tub Storage: 22 Tubs
- 12 Tubs Exposed for Scooping

TEMPERATURE

• Holding Temperature (Fahrenheit): -18° - 10°
 These models are designed to operate in an environment where temperature and humidity do not exceed 75°F (24°C) and 55% relative humidity

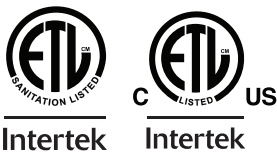
ELECTRIC

120V / 60Hz / 1Ph
 Cord Length (Inches): 72
 Plug Type: NEMA 5-15P
 Cord set included

NEMA 5-15P



3RD PARTY APPROVALS



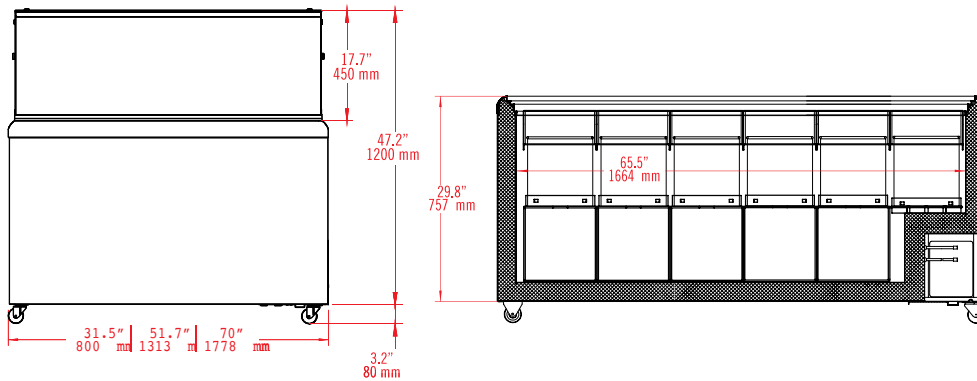
WARRANTY (USA / CANADA)

1 Year Parts & Labor + 5 Year Compressor (Part Only)

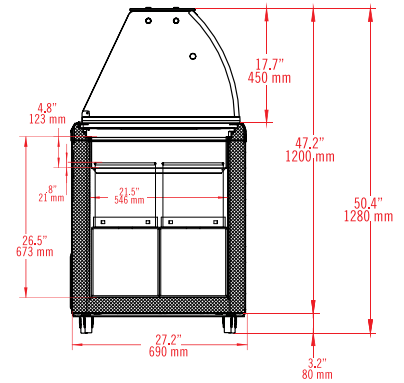


Contact Maxx Cold for details at
 TechnicalServices@TheLegacyCompanies.com
 or 877.368.2797

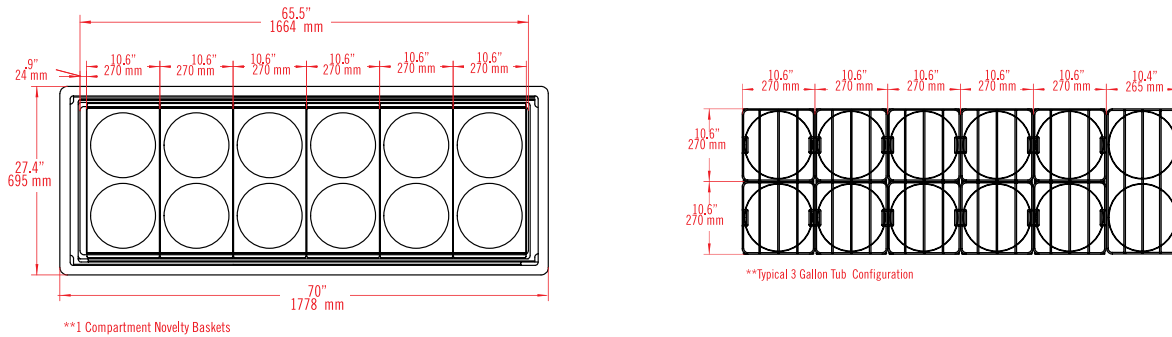
FRONT VIEW



SIDE VIEW



TOP VIEW



Dipping Cabinet

Total Tub Storage	Tubs Exposed for Scooping	Amps	HP	Refrigerant	Assembled Dimensions (in)	Item Weight (lbs)	Shipping Weight (lbs)
22 Tubs	12 Tubs	4.1A	1/2	R290A 4.76 oz (135 g)	27.2" x 70" x 50.4"	287.0	402.0

INSTALLATION

Shorter caster options are available to lower the overall height of the unit to satisfy ADA or other low profile requirements

Due to periodic changes in designs, methods, procedures, policies and regulations, the specifications contained in this document are subject to change without notice. While we exercise good faith efforts to provide information that is accurate, we are not responsible for errors or omissions in information provided or conclusions reached as a result of using the specifications. By using the information provided, the user assumes all risks in connection with such use.