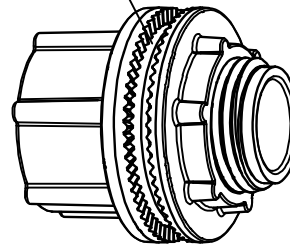


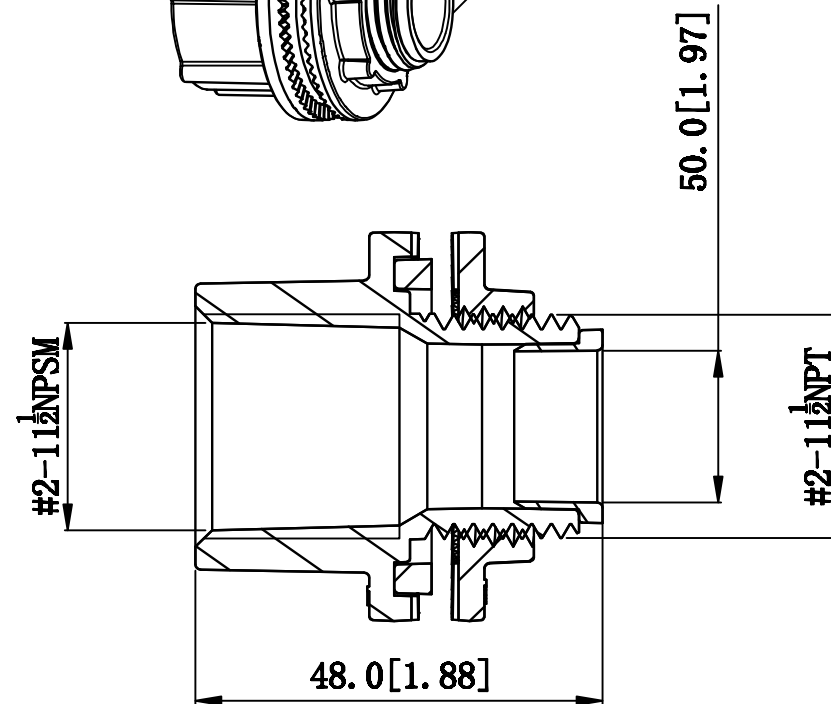
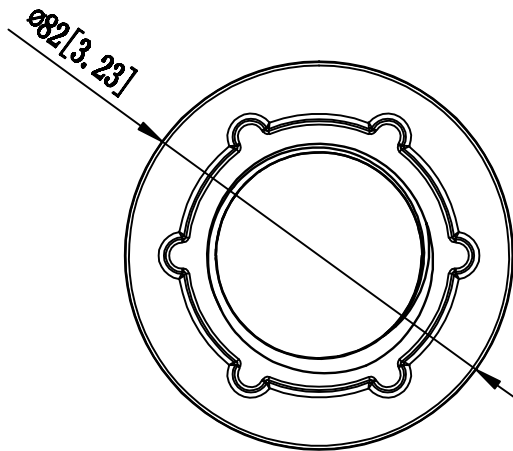
SIDES	BOTTOM
1 Pcs TWH-200 Sealing ring	
1 Pcs TWH-200 With Insulated throat	

REVISIONS			
SYM.	BY.	REVISIONS	DATE
A.			

TWH-200 Sealing ring



TWH-200 With Insulated throat



**NOTES:**

- All dimensions in millimeters and [inches];
- Free of sharp edge and burrs.max burr 0.5[0.0196].

UNLESS OTHERWISE SPECIFIED DIMENSIONS ARE IN MILLIMETERS TOLERANCES ARE: X.X ±0.04[±0.1] X.XX ±0.02[±0.08] X.XXX ±0.005[±0.002]	NAME	DATE	<b>GARVIN INDUSTRIES</b> TITLE	
	DESIGN			
MATERIAL ZN-ALK	CHECKED		SIZE	DWG NO.
	APPROVED (A)		A4	WH200
FINISH	APPROVED (Customer)		SCALE: 1:1	PRINT DATE
DO NOT SCALE DIMENSIONS INTERPRET PER ANSI Y14.5M-1994	THIS DOCUMENT IS THE SOLE PROPERTY OF GARVIN INDUSTRIES AND IS LOANED TO YOU FOR YOUR USE ONLY. IT IS NOT TO BE REPRODUCED OR DISTRIBUTED WITHOUT EXPRESS WRITTEN PERMISSION OF GARVIN INDUSTRIES. ALL RIGHTS TO INVENTIONS AND PATENTS ARE RESERVED BY GARVIN INDUSTRIES. PERMISSION OF THE DOCUMENT IS ASSUMED TO BE GRANTED TO THE PURCHASER.		REV	SHEET 1 OF 1

