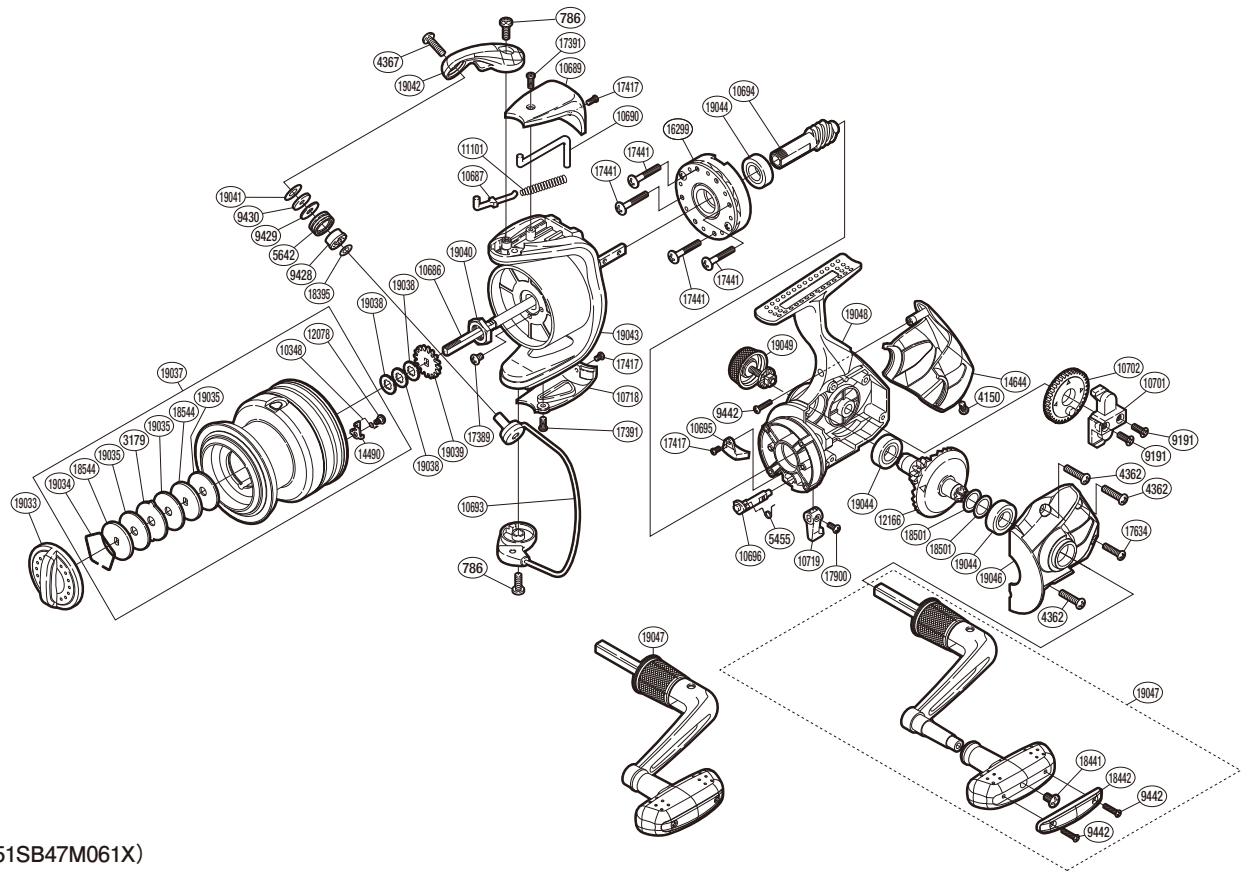


SHIMANO

NEXAVE

NEX6000FE K/C



(51SB47M061X)

#	Part No.	Description	#	Part No.	Description	#	Part No.	Description
786	103J1	Screw	10695	10D80	Bail Trip Strike	18441	10L25	Screw
3179	10BE4	Eared Washer	10696	10DA7	Anti-reverse Cam	18442	10SV0	Handle Knob I.D. Plate
4150	103KS	Screw	10701	104KY	Oscillating Slider	18501	10DHR	Washer
4362	10MBT	Screw	10702	104WX	Oscillating Gear	18544	10N27	Key Washer
4367	10PMS	Screw	10718	1076X	Bail Hold Support Guard	19033	10T8U	Drag Knob Assembly
5455	10DCK	Anti-reverse Cam Spring	10719	10JG5	Anti-reverse Lever	19034	10MZT	Drag Washer Retainer
5642	10JP2	Line Roller	11101	10FVA	Bail Spring	19035	10N59	Drag Washer
9191	10ML9	Screw	12078	10PH4	Screw	19037	100NU	Spool Assembly
9428	10PFF	Line Roller Bushing	12166	10M4F	Drive Gear	19038	100SV	Washer
9429	10G4Q	Line Roller Spacer A	14490	10PEM	Drag Click	19039	1067R	Spool Support
9430	10PFQ	Line Roller Washer	14644	10NDX	Rear Protector	19040	10819	Rotor Nut
9442	10L1X	Screw	16299	10QPF	Roller Clutch Assembly	19041	10KHE	Line Roller Spacer B
10348	10JX9	Click Spring	17389	10LHN	Screw	19042	100SX	Bail Arm
10686	10PLC	Main Shaft	17391	10LFK	Screw	19043	10T8T	Rotor
10687	105LR	Bail Spring Guide A	17417	10L1T	Screw	19044	10M4P	Ball Bearing
10689	10DD2	Bail Spring Cover	17441	10LJ3	Screw	19046	100NV	Side Cover
10690	10F19	Bail Trip Lever	17634	10L6Q	Screw	19047	100NT	Handle Assembly
10693	10Q9E	Bail Assembly	17900	10LCL	Screw	19048	100SY	Body Assembly
10694	10LRQ	Pinion Gear	18395	10KF7	Washer	19049	100SD	Handle Screw Cap Assembly

Please note that the number of adjusting washers may not be the same as shown in the exploded views.
(Adjustment will vary with each individual product.)

(230823)_004