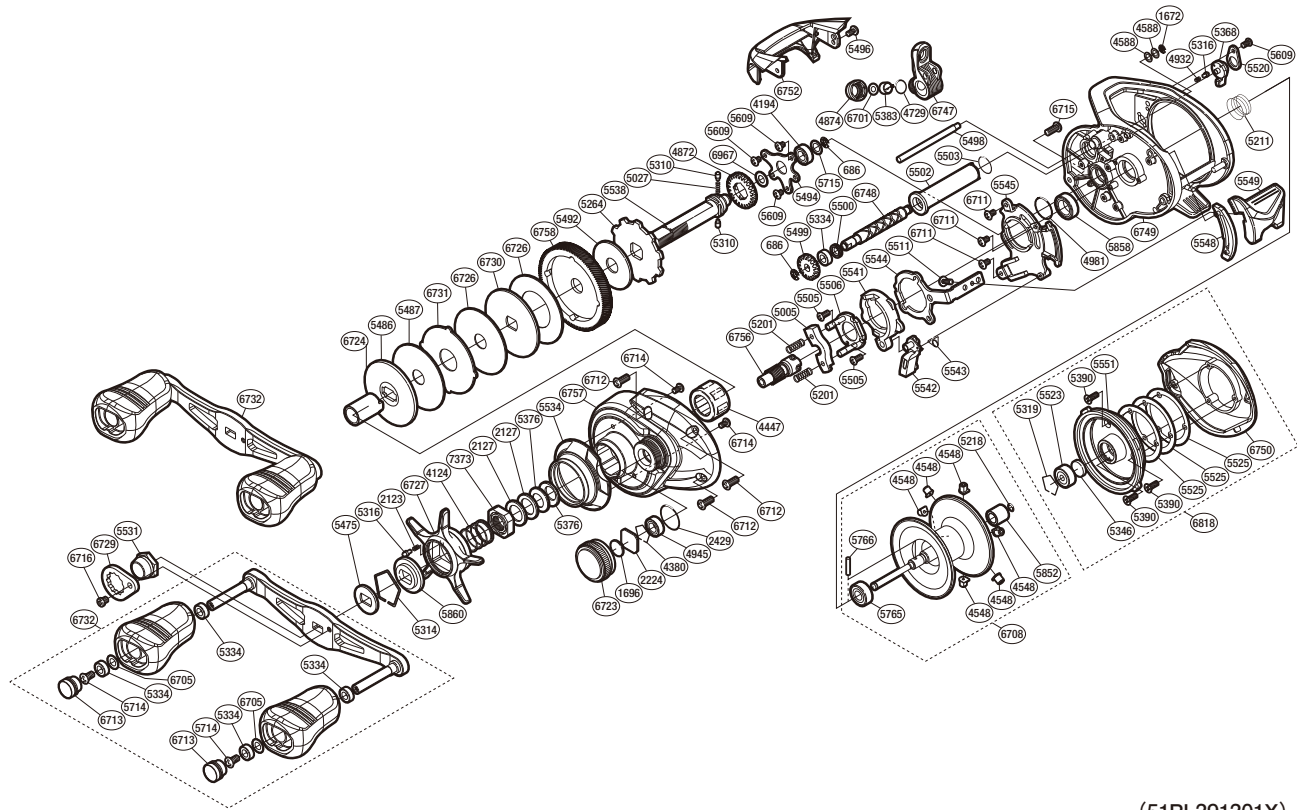


SHIMANO

CURADO

CU301K



(51RL391301X)

#	Part No.	Description	#	Part No.	Description	#	Part No.	Description
686	105NK	E Lock	5390	10LA4	Screw	5852	101J1	Spool Shaft Bushing
1672	105NC	E Lock	5475	10QVN	Drive Shaft Shield	5858	105BT	Ball Bearing
1696	10896	Cast Control Spacer (B)	5486	1025E	Key Washer	5860	10J26	Star Drag Click Plate
2123	10BT2	Click Spring	5487	1024D	Drag Washer	6701	10CFU	Spacer
2127	10J1N	Star Drag Spacer	5492	1025A	Drag Washer	6705	1020Z	Washer
2224	1085F	Spool Tension Spacer (A)	5494	1024G	Drive Shaft Retainer	6708	100BN	Spool Assembly
2429	108WK	O Ring	5496	10LCZ	Screw	6711	10SUT	Screw
4124	10A70	Star Drag Spring	5498	1024P	Stabilizer Bar	6712	101WJ	Screw
4194	105BP	Ball Bearing	5499	1024Q	Idle Gear	6713	10E4R	Handle Knob Seal
4380	1057X	Retainer	5500	1024R	Worm Shaft Seal	6714	10LA3	Screw
4447	10F37	Roller Clutch Bearing	5502	1024N	Level Wind Guard	6715	10LFP	Screw
4548	10CMP	Brake Collar	5503	101GT	O Ring	6716	10LLU	Screw
4588	10FJZ	Washer	5505	10LVJ	Screw	6723	10E4N	Cast Control Cap
4729	108WQ	O Ring	5506	10QVM	Clutch Cam Retainer	6724	10E4S	Roller Clutch Inner Tube
4872	10J47	Idle Gear	5511	10LCL	Screw	6726	10E0Z	Drag Washer
4874	10FJB	Pawl Cap	5520	101UL	Cam Lever Retainer	6727	10E4F	Star Drag
4932	10GQZ	Click Spring	5523	105C2	Ball Bearing	6729	10E56	Handle Nut Plate
4945	105BR	Ball Bearing	5525	1024K	Washer	6730	10E4Q	Key Washer
4981	10LA8	O Ring	5531	10R3C	Handle Nut	6731	10E4Z	Eared Washer
5005	1046Y	Yoke	5534	10224	Clutch Button Attachment	6732	10T44	Handle Assembly
5027	10JDZ	Idle Gear Spring	5538	10228	Drive Shaft	6747	10R7V	Line Guide
5201	104BC	Yoke Spring	5541	10225	Clutch Cam	6748	10E15	Worm Shaft
5211	10EZE	Bearing Pressure Spring	5542	1021U	Clutch Pawl	6749	100R0	Frame
5218	10E27	O Ring	5543	1021T	Clutch Pawl Spring	6750	10S1G	Right Side Plate
5264	10D73	Anti-Reverse Ratchet	5544	1021Z	Clutch Plate	6752	10017	Level Wind Protector
5310	10HJG	Idle Gear Pin	5545	10227	Clutch Guard	6756	10S1F	Pinion Gear
5314	10KXW	Click Plate Retainer	5548	10220	Clutch Bar Guide	6757	10S1J	Right Side Plate
5316	10MFC	Click Pin	5549	1021W	Clutch Button	6758	10014	Drive Gear
5319	1054D	Bearing Retainer	5551	1027Z	Dial Case Assembly	6818	100NR	Right Side Plate Assembly
5334	10PXZ	Bushing	5609	10LCT	Screw	6967	10GR7	Washer
5346	10EX5	Spacer B	5714	10LFA	Screw	7373	10R3H	Star Drag Nut
5368	1019C	Side Plate Cam Lever	5715	10G6D	Drive Shaft Washer			
5376	109F5	Drag Spring Washer	5765	105CA	Ball Bearing			
5383	10BHQ	Line Guide Pawl	5766	10MD1	Spool Clutch Pin			

Please note that the number of adjusting washers may not be the same as shown in the exploded views.
(Adjustment will vary with each individual product.)

(231113)_006