


ASSEMBLY INSTRUCTION

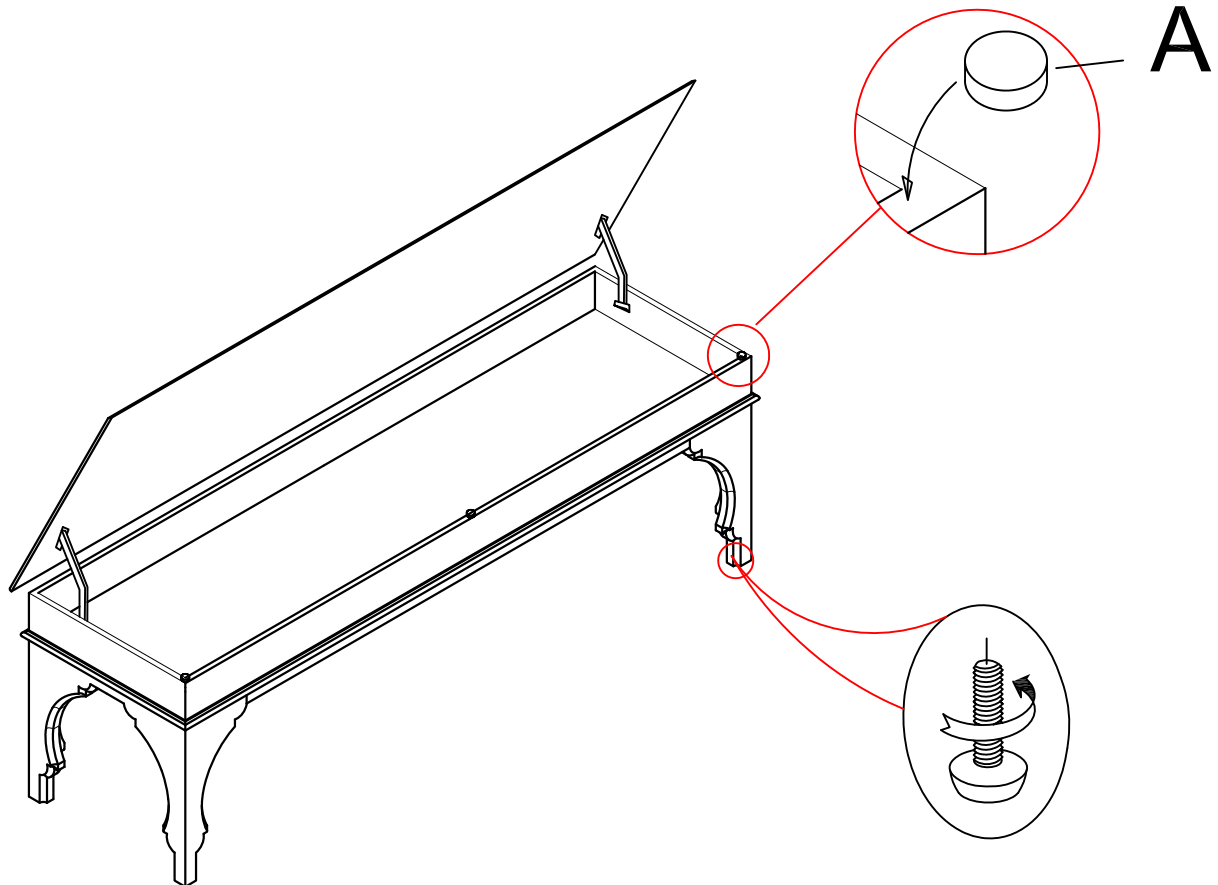
ITEM: 7050-90119-85 Bed Bench

Thank you for purchasing this quality product. Be sure to unpack carefully looking for small parts which may have come loose during shipment.

Read all instruction and study the drawing carefully before starting the assembly process.

HARDWARE PACK				
NO.	DRAWING	DESCRIPTION	SIZE	Q'TY
A		Plastic Washer	∅ 10*2MM	3 PCS

Place plastic washers (A) on the top as shown in diagram.



Adjust leveler if needed to level table on uneven floor.