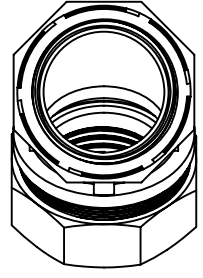
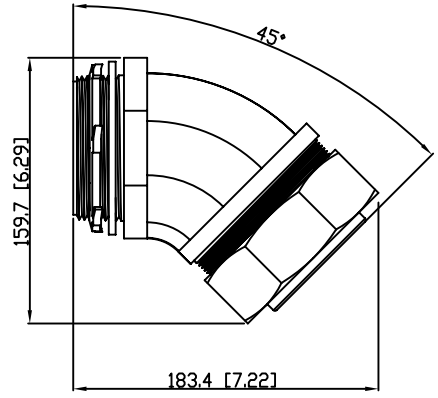
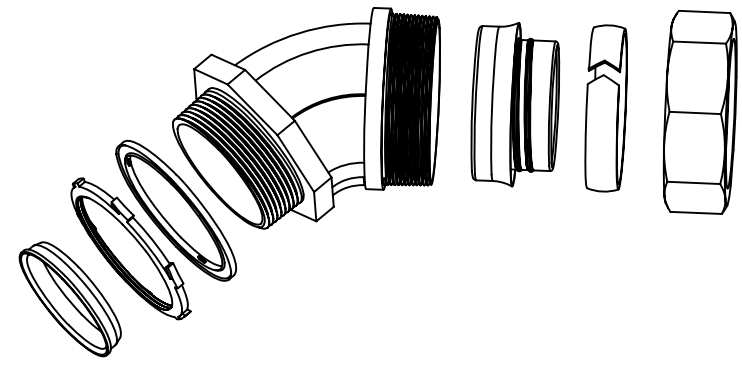
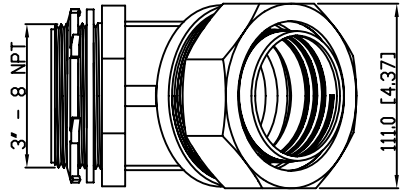


SIDES	BOTTOM
Material:Steel-(C1008-C1018) Galvanized	



This data sheet is for reference only .GARVIN INDUSTRIES reserv the right to make changes to the design without prior notice.

DESCRIPTION
TRADE REFERENCE TERMS

STANDARD PACKING
1 PCS

GARVIN INDUSTRIES		
TITLE 45° Liquid Tight Conn, 3"		
SIZE A4	DWG NO. DS-LTC-30045	REV A