

PORTRAY™ QUICK CADDY

INSTALLATION GUIDE

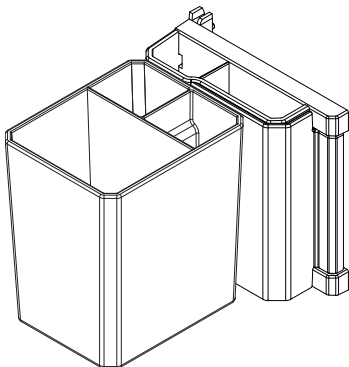
robern®

DESIGNED IN BRISTOL, PA U.S.A.



PORTRAY™ QUICK CADDY

Important safety instructions
Save these instructions



Compatible With:
PL Portray™ Series Cabinets
P2C16, P2C20, P2C24

CONTENTS

Tools Needed - **2**

Parts - **2**

Installation - **3**

Care and Maintenance - **12**

Warranty - **13**



Part no. CB-209-1345 rev. 07/01/20
Portray™ Quick Caddy

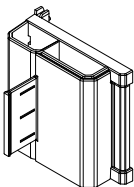
© 2020 Robern, Inc. 701 N. Wilson Ave. Bristol, PA 19007 U.S.A.
800.877.2376 www.robern.com

TOOLS NEEDED

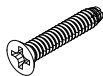


PARTS

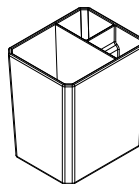
Shipped Partially Assembled



[211-1330, 211-1339 & 211-1340]
(1) Mount and Hinge Assembly



[203-1496]
(2) #6-32 x 3/4" Screw



[211-1341]
(1) Container

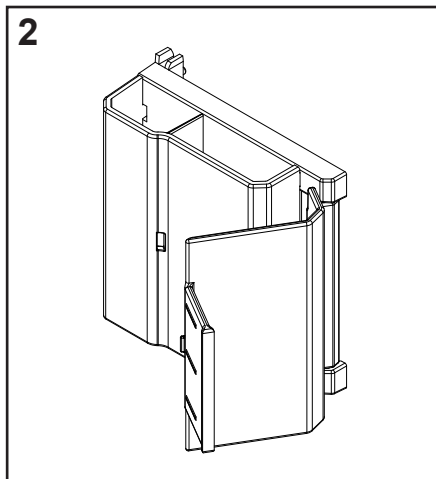
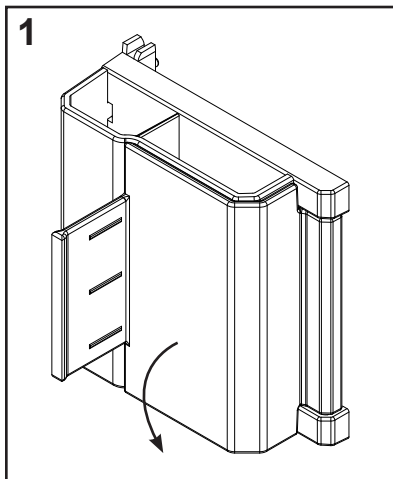
robern

Part no. CB-209-1345 rev. 07/01/20
PortrayTM Quick Caddy

© 2020 Robern, Inc. 701 N. Wilson Ave. Bristol, PA 19007 U.S.A.
800.877.2376 www.robern.com

INSTALLATION

1. Pull the hinge open in the assembly shown in Figure 1 and Figure 2.



robern

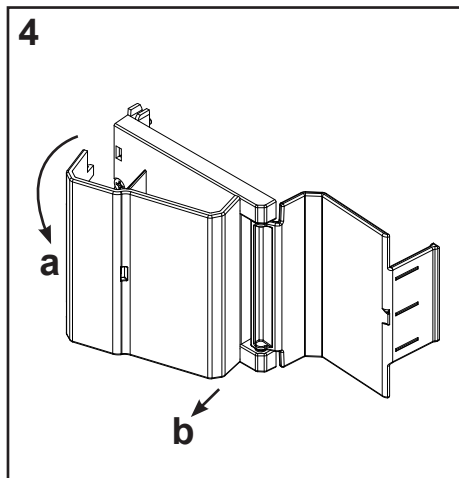
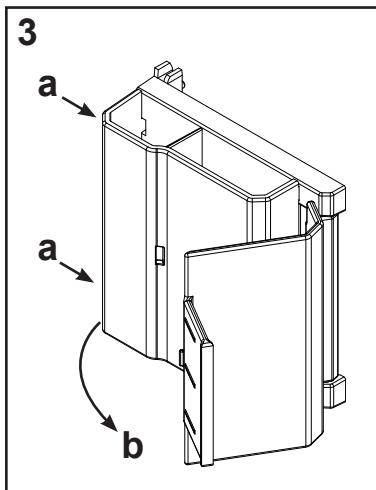
Part no. CB-209-1345 rev. 07/01/20
PortraySM Quick Caddy

© 2020 Robern, Inc. 701 N. Wilson Ave. Bristol, PA 19007 U.S.A.
800.877.2376 www.robern.com

INSTALLATION

2. With the hinge opened, push on the snap on bin as shown in Figure 3 and 4 to disengage the snap hooks, and pull open.
3. The snap on bin should now pull off the mounting bracket. Leave the hinge attached.

INSTALLATION



robern

Part no. CB-209-1345 rev. 07/01/20
Portray[™] Quick Caddy

© 2020 Robern, Inc. 701 N. Wilson Ave. Bristol, PA 19007 U.S.A.
800.877.2376 www.robern.com

INSTALLATION

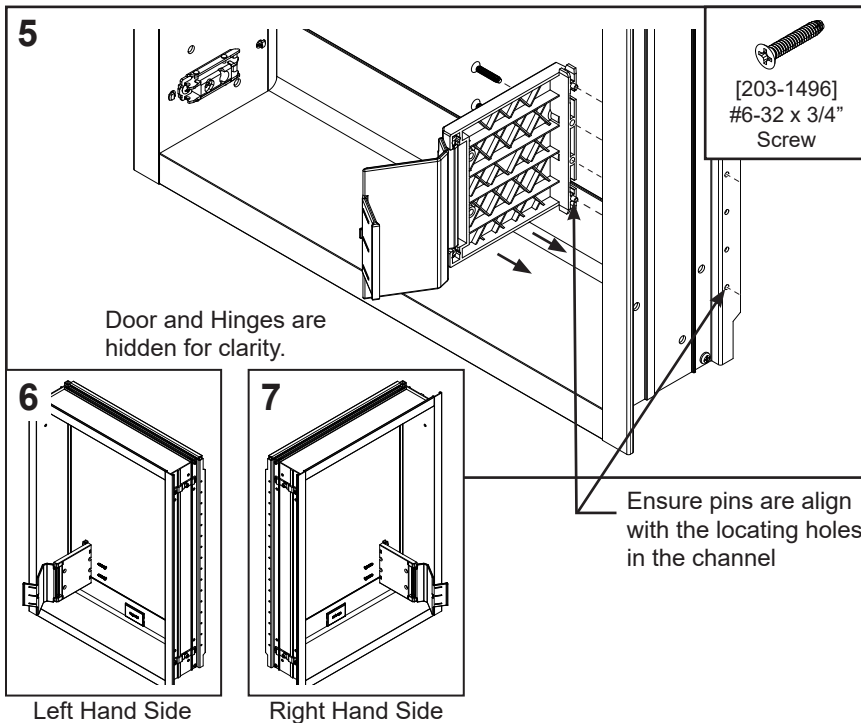
4. Align the mount and hinge with the pins going into the channel as shown in Figure 5.
5. Ensure the pins align with the locating holes inside the channel as shown in Figure 5.
6. Secure using the two #6-32 x 3/4" long screws supplied with the Portray™ Quick Caddy [CB-203-1496].

NOTE: Portray™ Quick Caddy can be mounted on Left or Right hand side of cabinet, and is recommended to be mounted on the side opposite the hinges, see Figure 6 & 7.

NOTE: Portray™ Quick Caddy can be used in any of the shelf clip holes, and does not need to be mounted at the bottom of the cabinet.

NOTE: Depending on the cabinet height, the lowest position of the Portray™ Quick Caddy can vary from as shown.

INSTALLATION



robern

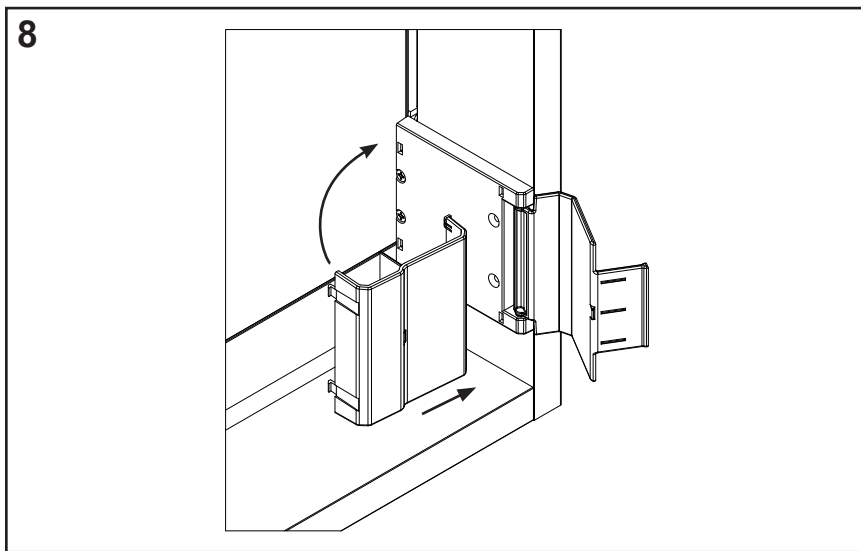
Part no. CB-209-1345 rev. 07/01/20
PortraySM Quick Caddy

© 2020 Robern, Inc. 701 N. Wilson Ave. Bristol, PA 19007 U.S.A.
800.877.2376 www.robern.com

INSTALLATION

7. Position the snap on cover as shown in Figure 8, with fixed tabs going into the mounting bracket, then rotate the bin into position until a positive snap is heard.

8. Pull lightly on the bin to ensure that it is properly secured to the mounting bracket.



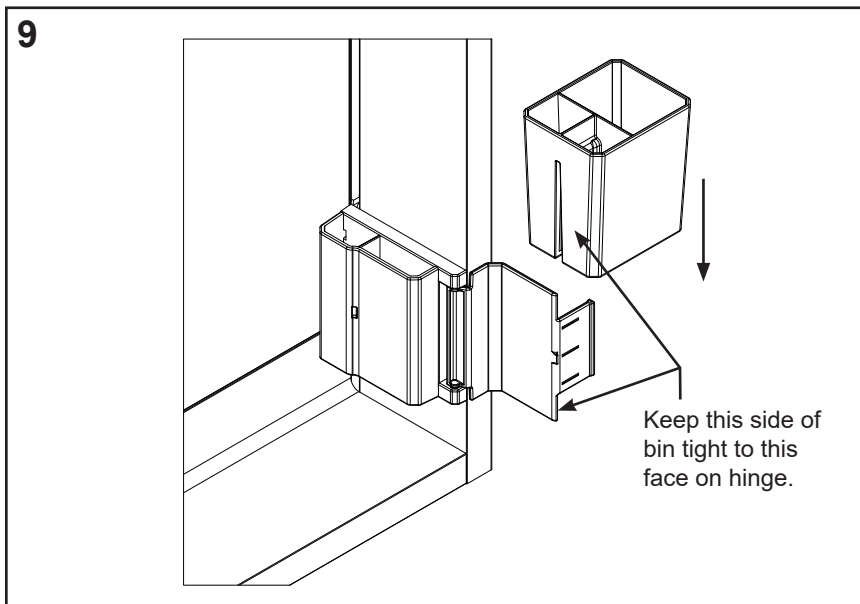
robern.

Part no. CB-209-1345 rev. 07/01/20
PortraySM Quick Caddy

© 2020 Robern, Inc. 701 N. Wilson Ave. Bristol, PA 19007 U.S.A.
800.877.2376 www.robern.com

INSTALLATION

9. Slide the bin onto the hinge as shown in Figure 9, ensuring that the slotted side of the bin is kept tight against the Quick Caddy hinge.



robern.

Part no. CB-209-1345 rev. 07/01/20
PortraySM Quick Caddy

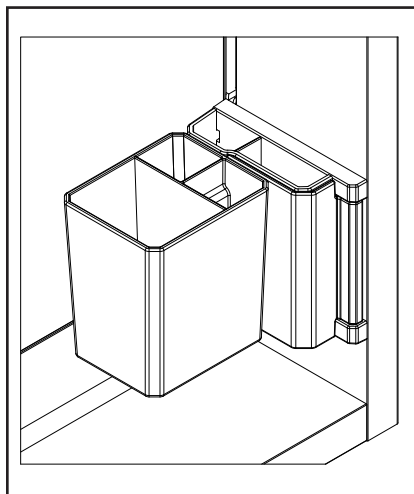
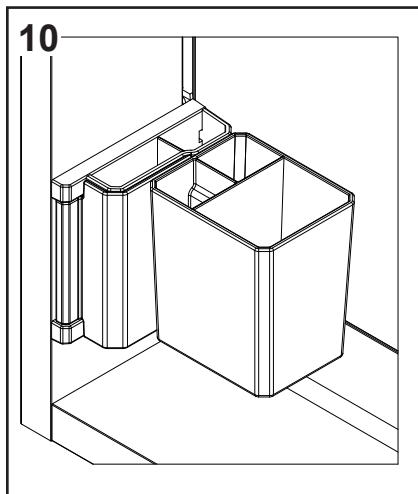
© 2020 Robern, Inc. 701 N. Wilson Ave. Bristol, PA 19007 U.S.A.
800.877.2376 www.robern.com

INSTALLATION

10. Close the bin to ensure it functions as intended.

NOTE: If excessive loading causes the mount and hinge to flex and pull off the side of the cabinet at the front edge, the assembly can be secured with two additional (not supplied) #6 flat head screws at the front of the mounting bracket. This will require drilling of the cabinet, and is only recommended if needed.

INSTALLATION



robern.

Part no. CB-209-1345 rev. 07/01/20
PortraySM Quick Caddy

© 2020 Robern, Inc. 701 N. Wilson Ave. Bristol, PA 19007 U.S.A.
800.877.2376 www.robern.com