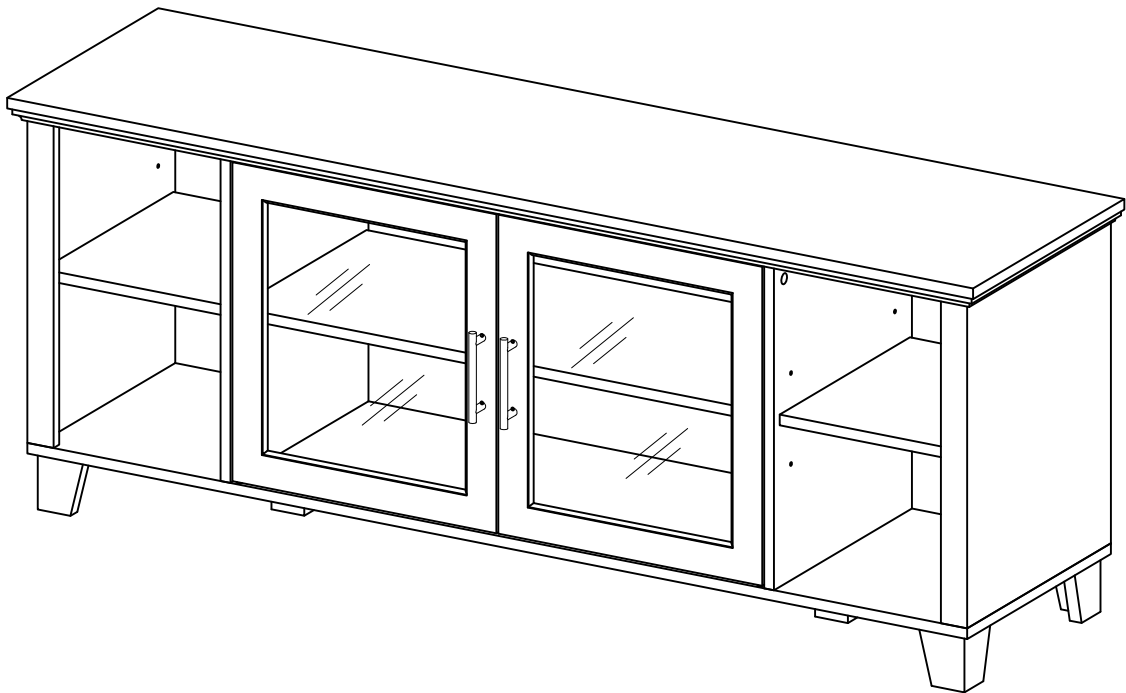


Item # : W58CO2D

Assembly Instructions



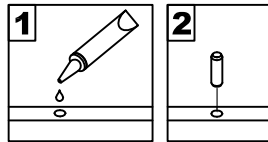
Walker Edison®

Please visit our website for the most current instructions, assembly tips, report damage, or request parts. www.walkerediton.com

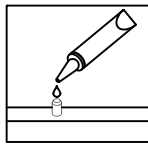
Revised 21/05/2019

General Assembly Guidelines

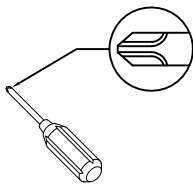
- I. Ensure that all parts and hardware are available before beginning assembly.
- II. Follow each step carefully to ensure the proper assembly of this product.
- III. Two people are recommended for ease in the assembly of this product.
- IV. The three main types of hardware used to assemble this product are : wood dowels , screws and bolts.
- V. The provided glue is to secure wood dowels in place . When first inserting dowels , locate the appropriate hole for the dowel , place a small amount of glue in the hole and insert the dowel . Wipe away excess glue immediately.



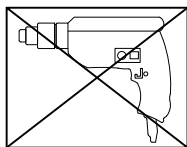
In future assembly steps when dowels are necessary to attach assembly parts together , place a small amount of glue on the end of the dowel before attaching parts together . Wipe away excess glue immediately.



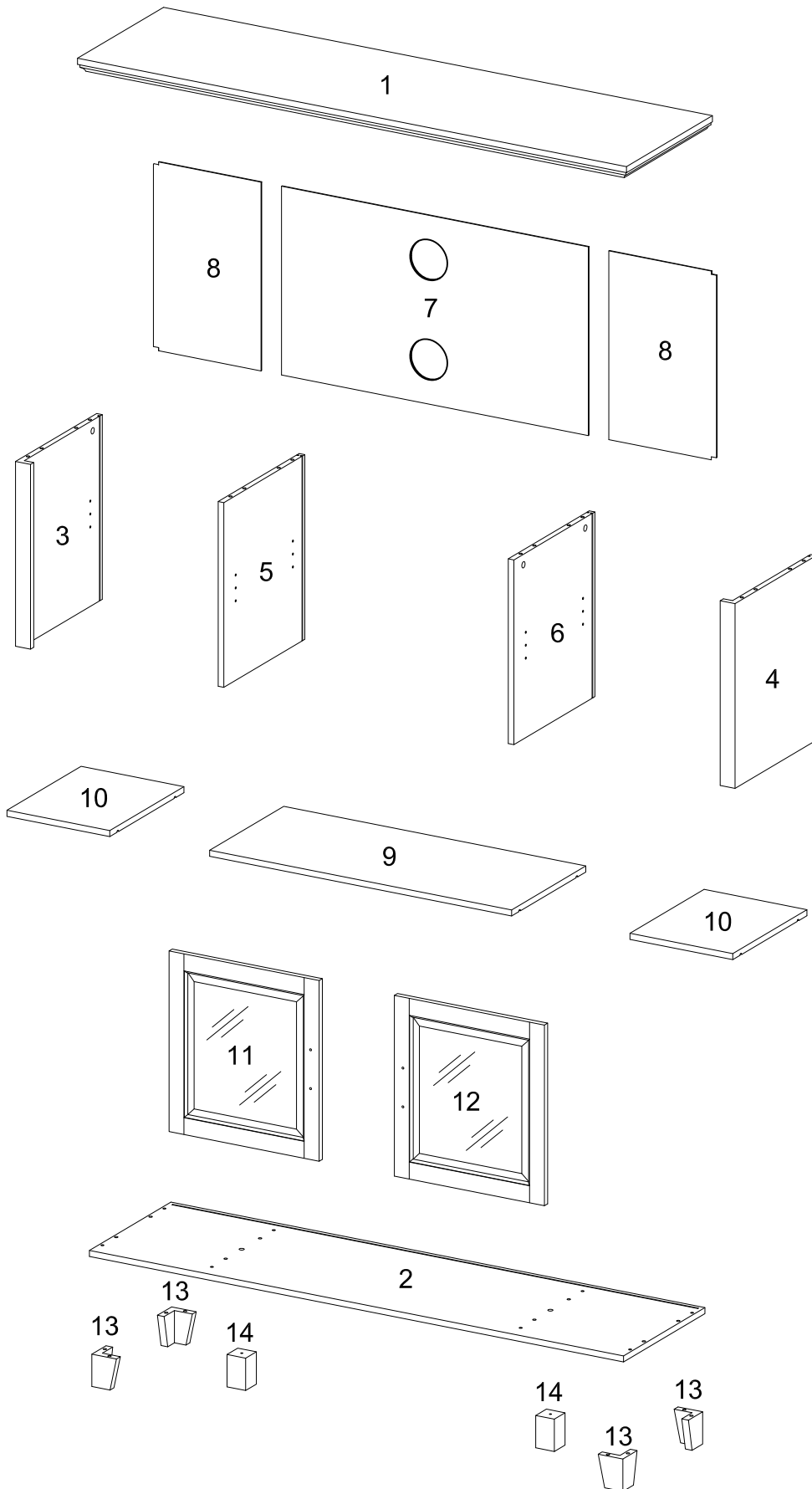
- VI. A Phillips head screwdriver is required for the assembly of this product .




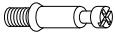

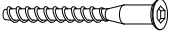
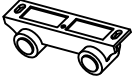

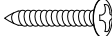
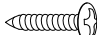
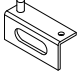
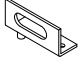
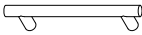
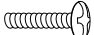

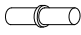

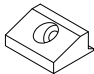
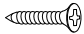


- VI. Power tools should not be used to assemble this product .

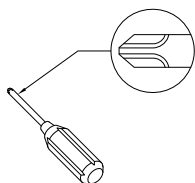


Parts List



Hardware List

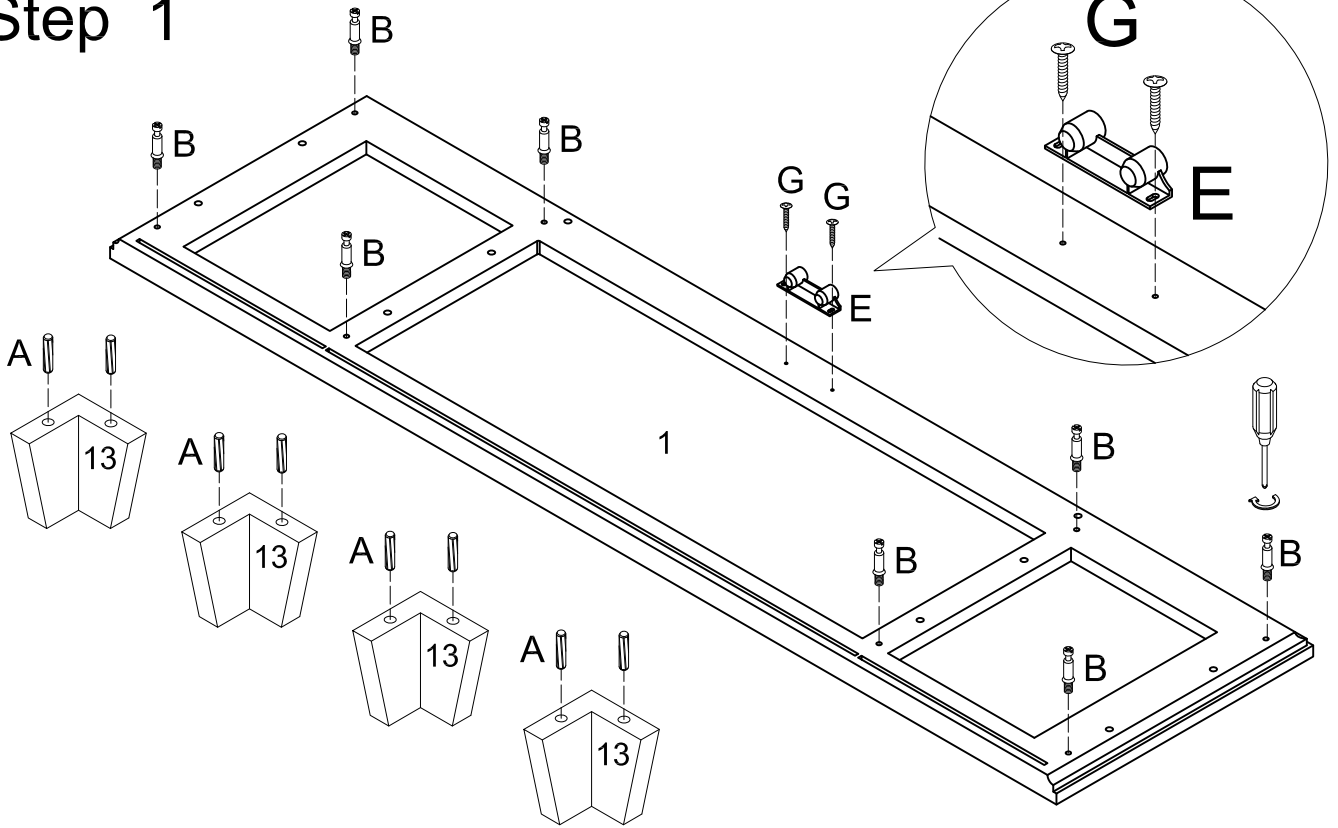
| | | | | |
|---|---|--------------|-------------------|--------|
| A |  | Ø8x30mm | Wooden dowel | 24 pcs |
| B |  | Ø6x35mm | Cam bolt | 8 pcs |
| C |  | Ø15x11mm | Cam lock | 8 pcs |
| D |  | Ø6x50mm | Bolt | 10 pcs |
| E |  | | Door stopper | 1 pc |
| F |  | | Bolt | 2 pcs |
| G |  | Ø3x15mm | Screw | 2 pcs |
| H |  | Ø3x12mm | Screw | 8 pcs |
| I |  | 40x15.5x15mm | Door Hinge | 2 pcs |
| J |  | 40x15.5x15mm | Door Hinge | 2 pcs |
| K |  | | Handle | 2 pcs |
| L |  | Ø4x22mm | Screw | 4 pcs |
| M |  | Ø9.5x12mm | Plastic pivot | 4 pcs |
| N |  | Ø5x8x16mm | Shelf support pin | 12 pcs |
| O |  | | Glue tube | 1 pc |
| P |  | | Plastic wedge | 12 pcs |
| Q |  | Ø3x17mm | Screw | 12 pcs |
| R |  | Ø30mm | Sticker | 8 pcs |
| S |  | M4 | Wrench | 1 pc |



Philips head screwdriver required for assembly
(not included)

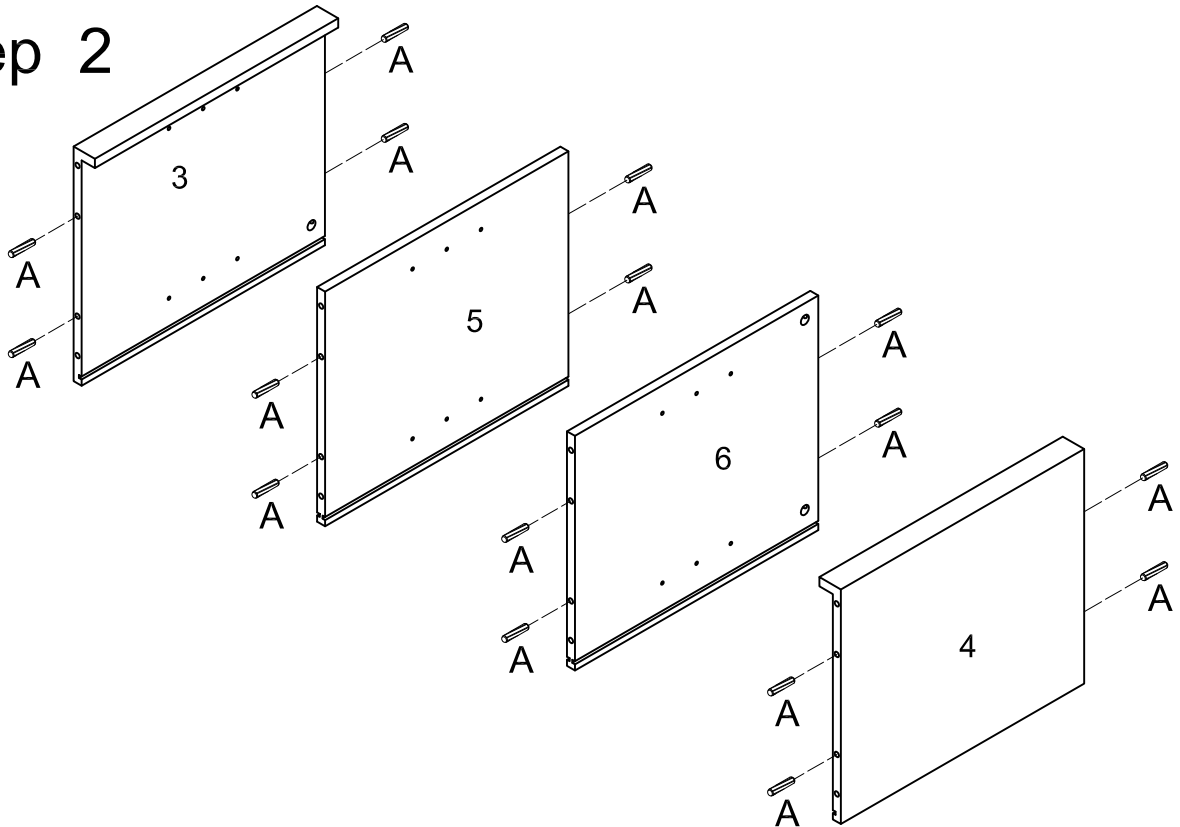
*The hardware quantities listed above are required for proper assembly.
Some extra hardware may also have been included.*

Step 1



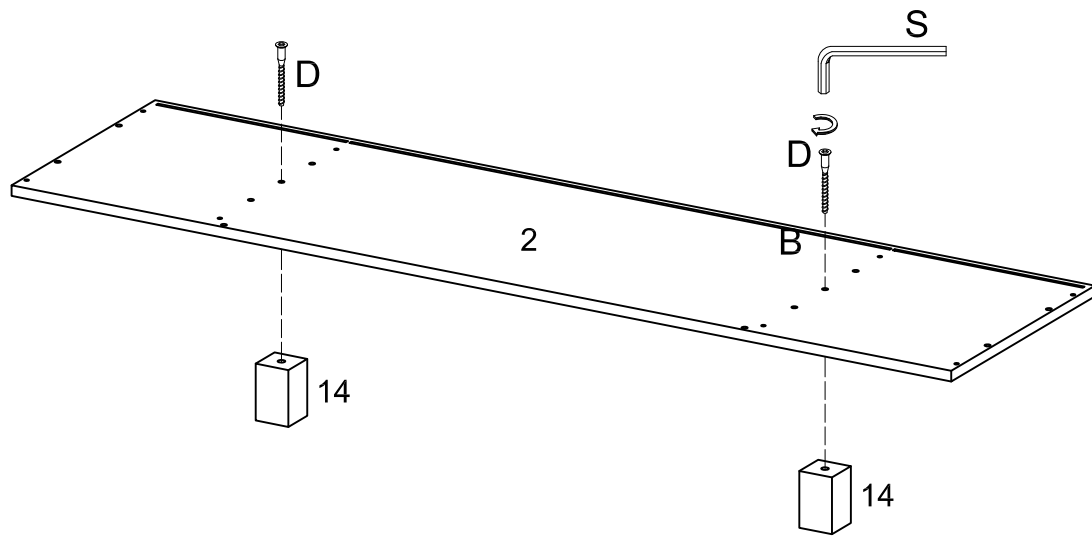
Insert wooden dowel (A) to leg (13), secure cam bolt (B) and door stopper (E) with screw (G) to top panel (1).

Step 2



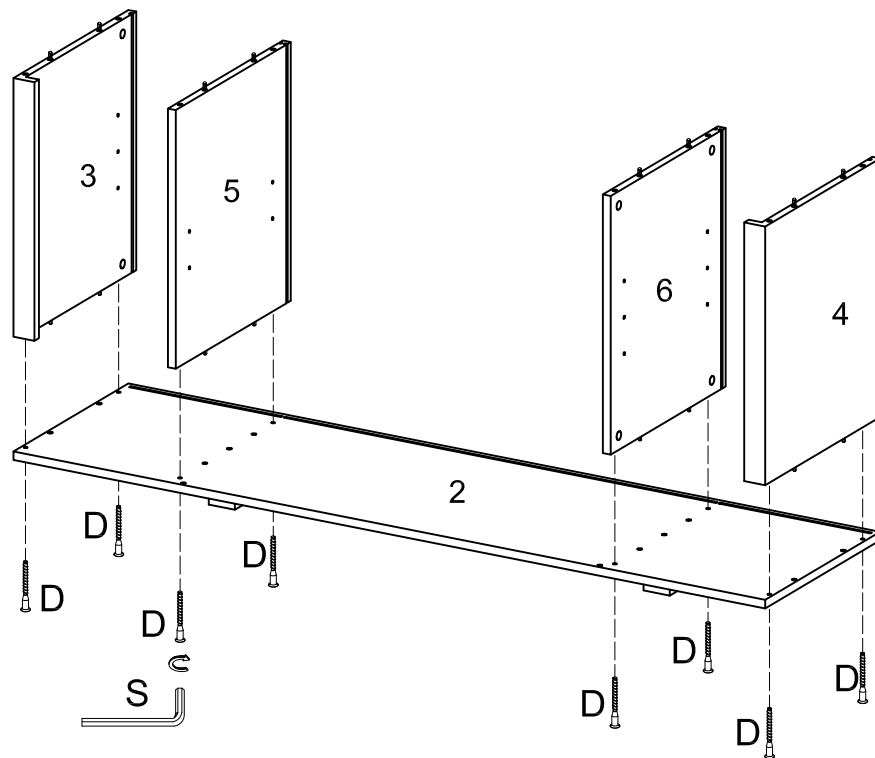
Insert wooden dowel (A) to side panel (3,4,5,6).

Step 3



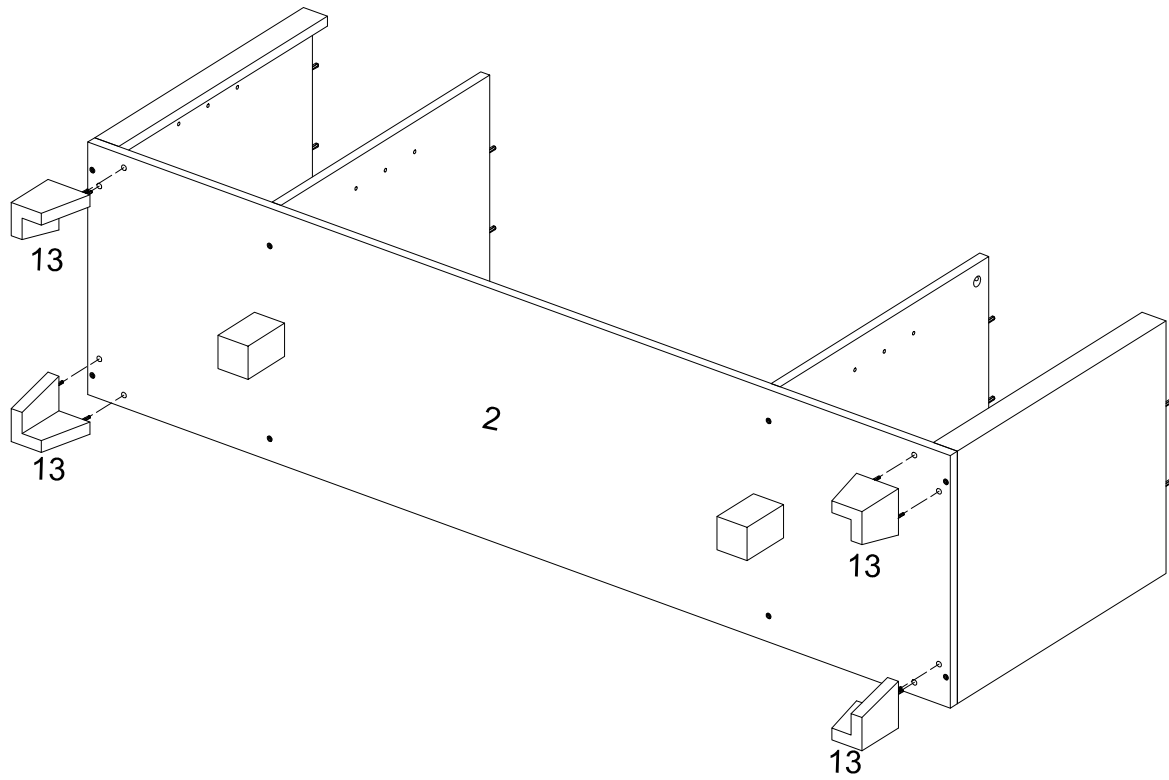
Use wrench (S) to secure leg (14) to bottom panel (2) with bolt (D).

Step 4



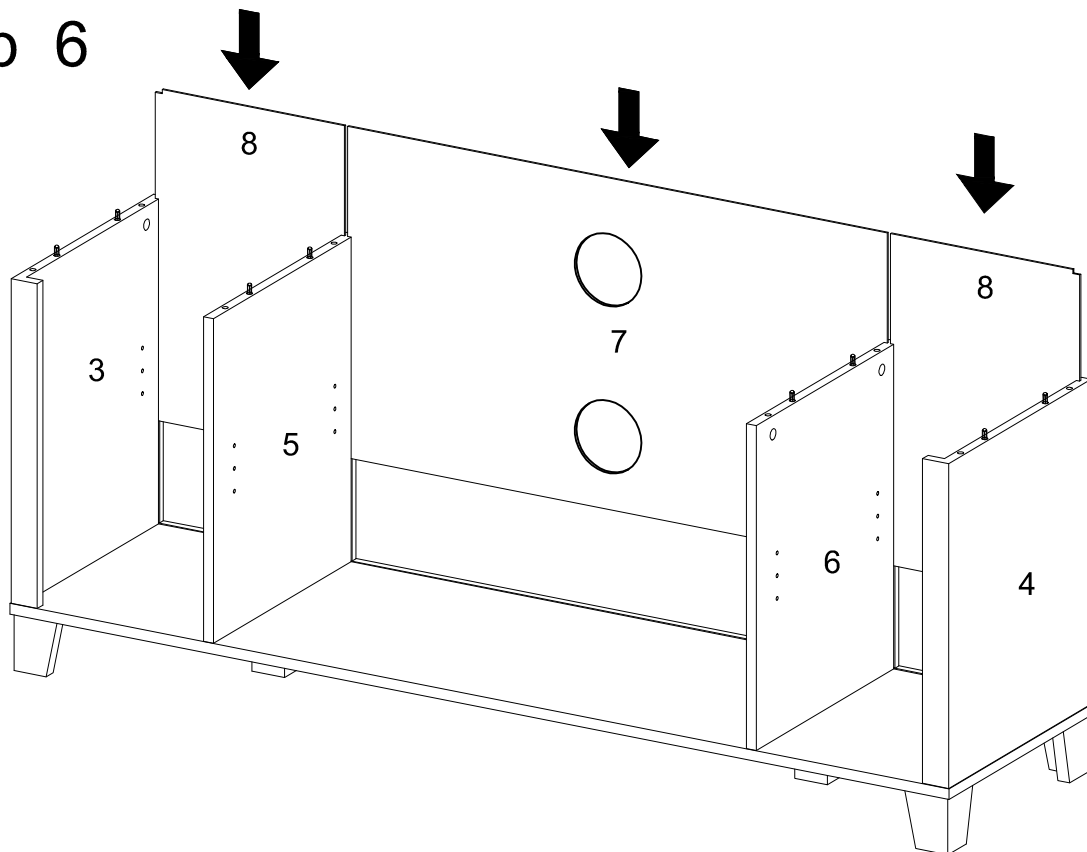
Use wrench (S) to secure bottom panel (2) to side panel (3,4,5,6) with bolt (D).

Step 5



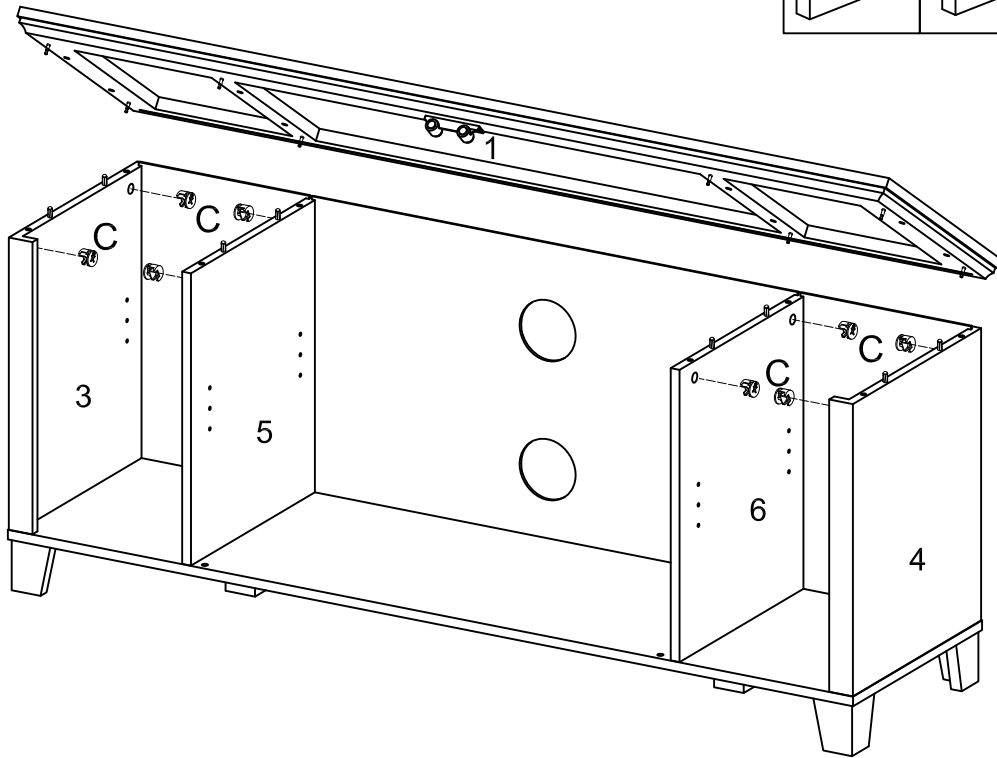
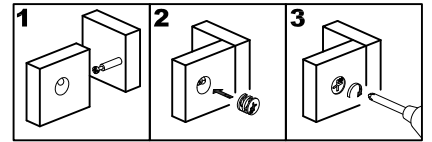
Insert leg (13) into bottom panel (2).

Step 6



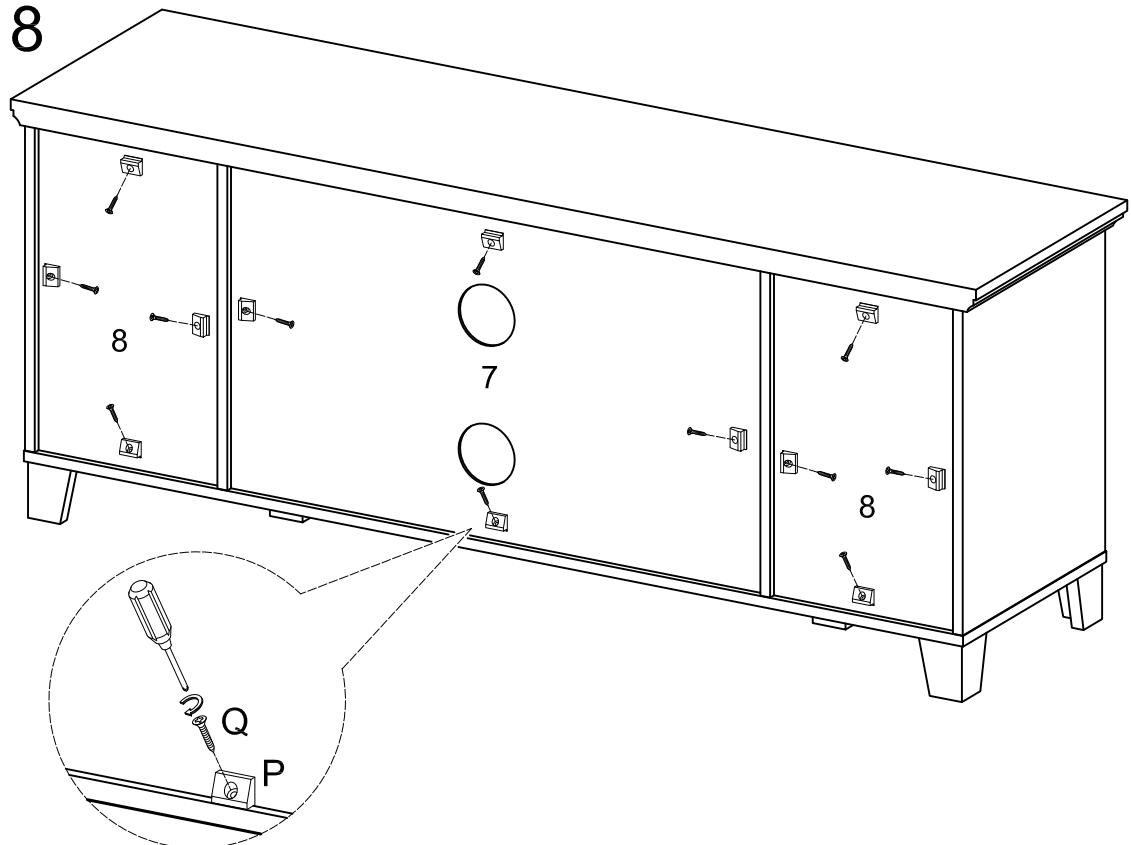
Slide back panel (7,8) into grooves as per diagram.

Step 7



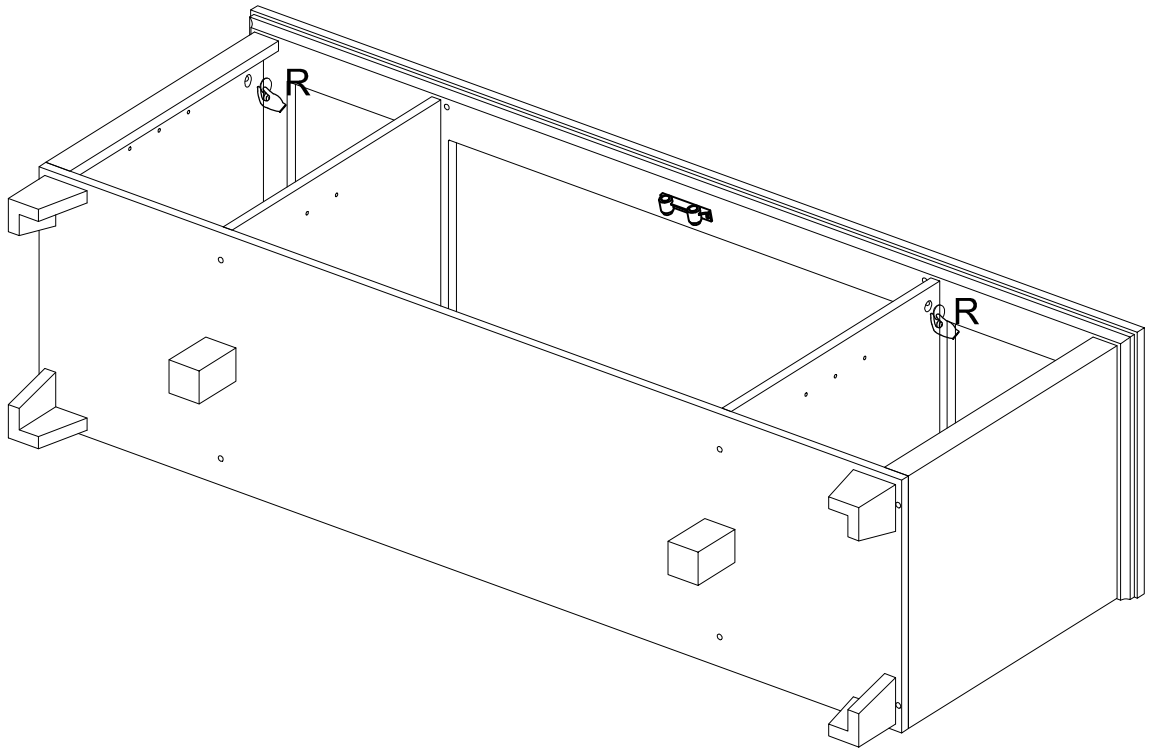
Insert top panel (1) into side panel (3,4,5,6), then insert and secure cam lock (C) to side panel (3,4,5,6) to lock it.

Step 8



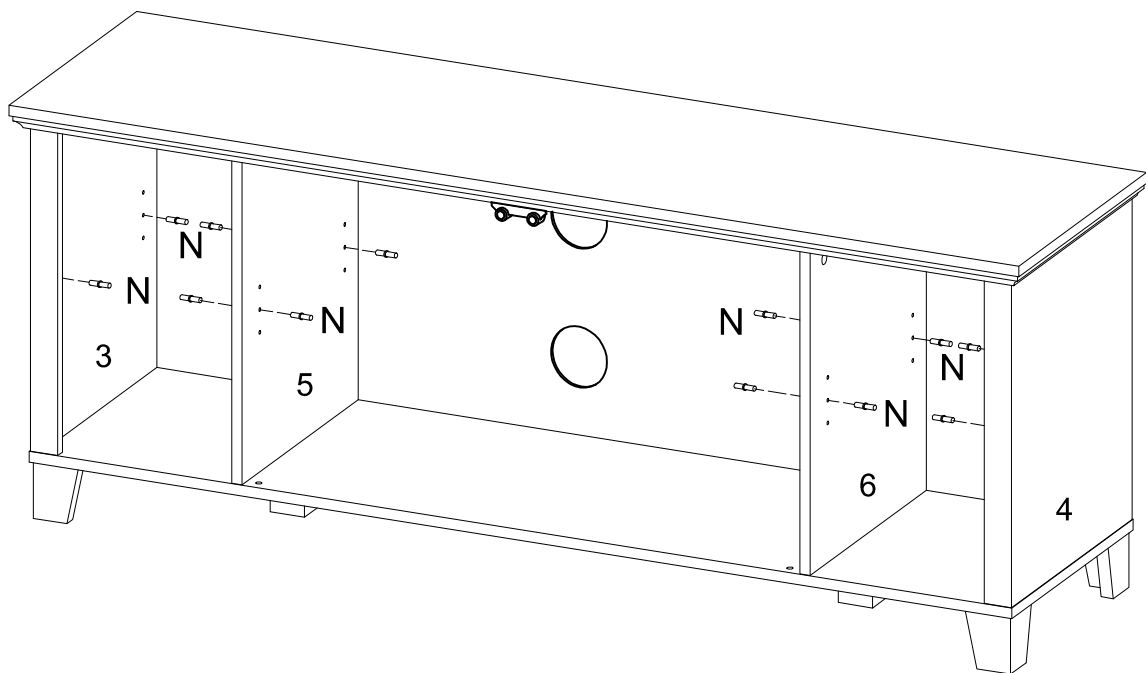
Secure plastic wedge (P) to back panel (7,8) with screw (Q).

Step 9



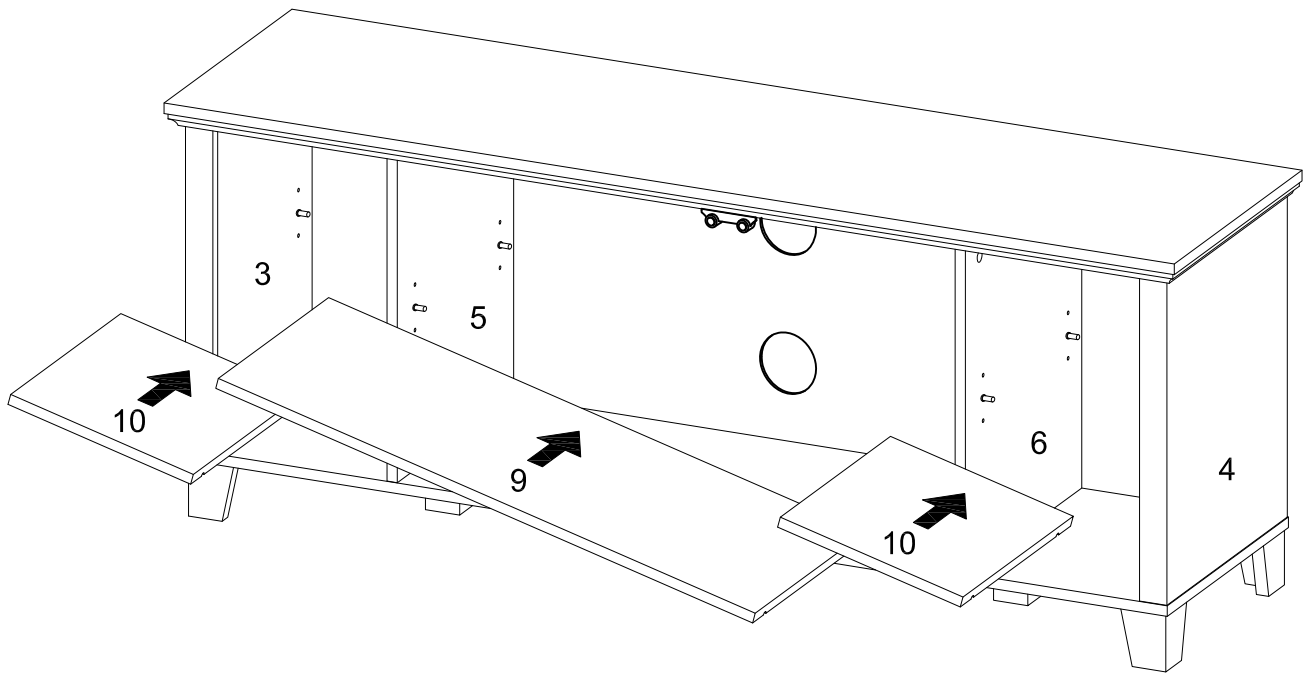
Place sticker (R) over holes as per diagram.

Step 10



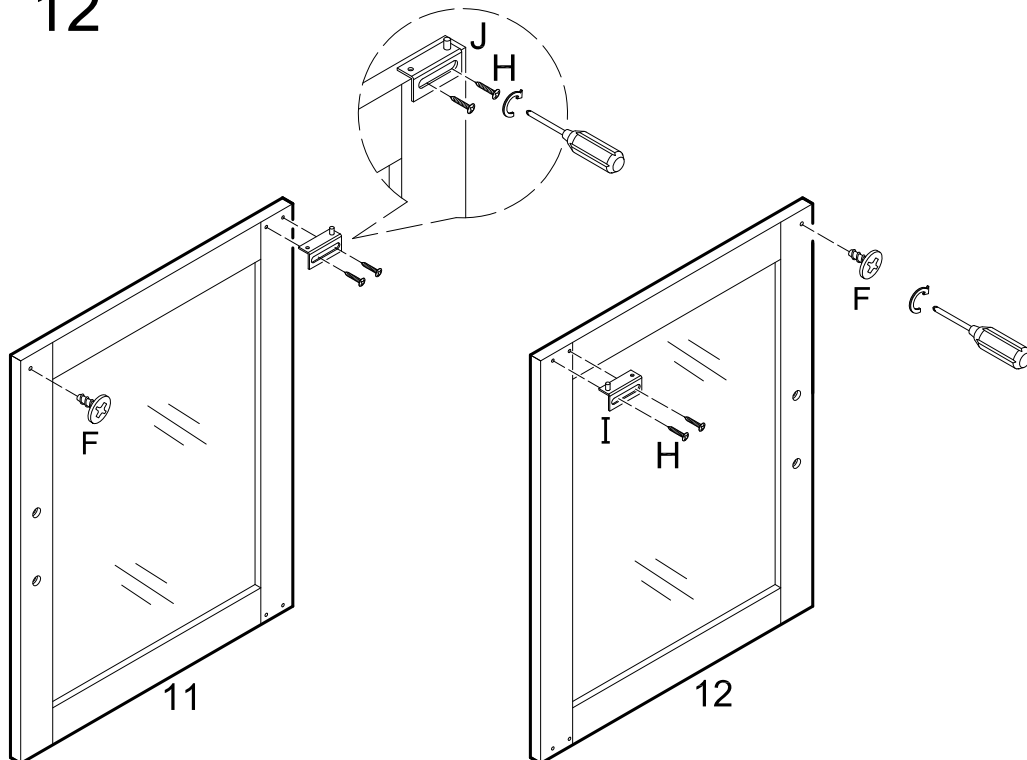
Insert shelf support pin (N) into side panel (3,4,5,6).

Step 11



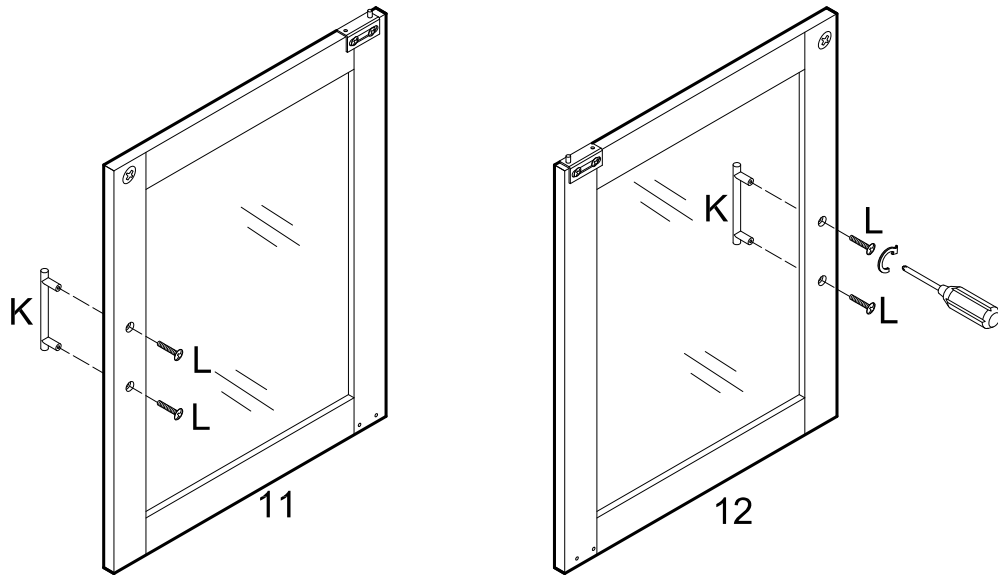
Place shelf (9,10) on top of support pin (N).

Step 12



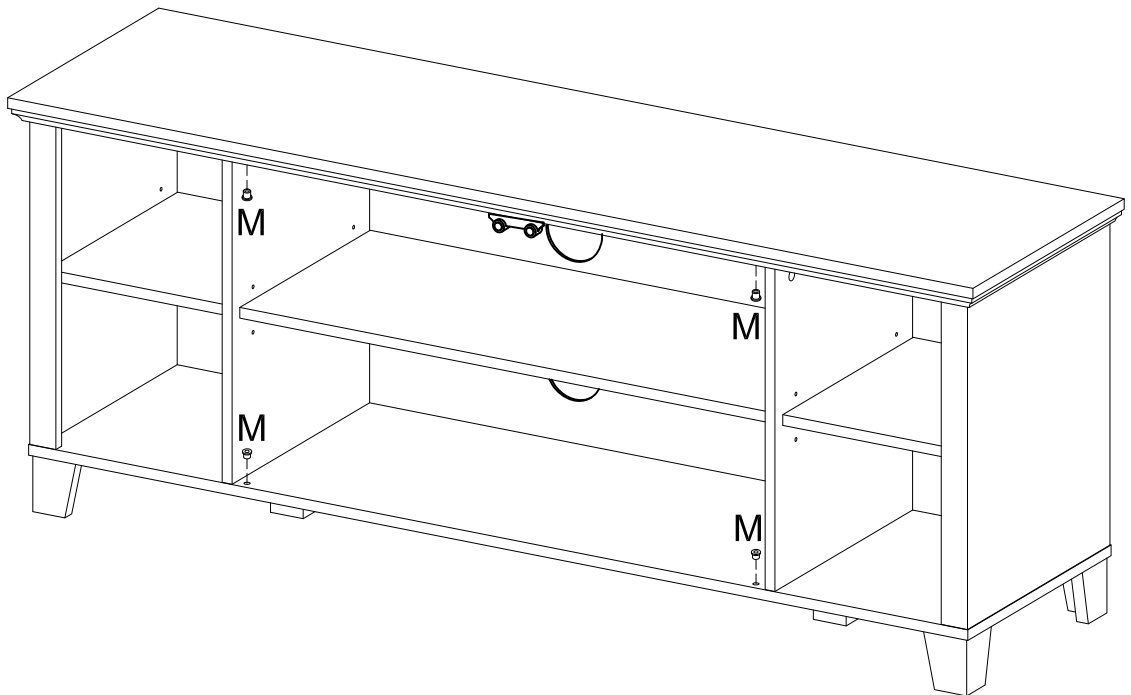
Secure bolt (F) to door (11, 12), door hinge (I) to door (12) and door hinge (J) to door (11) with screw (H).

Step 13



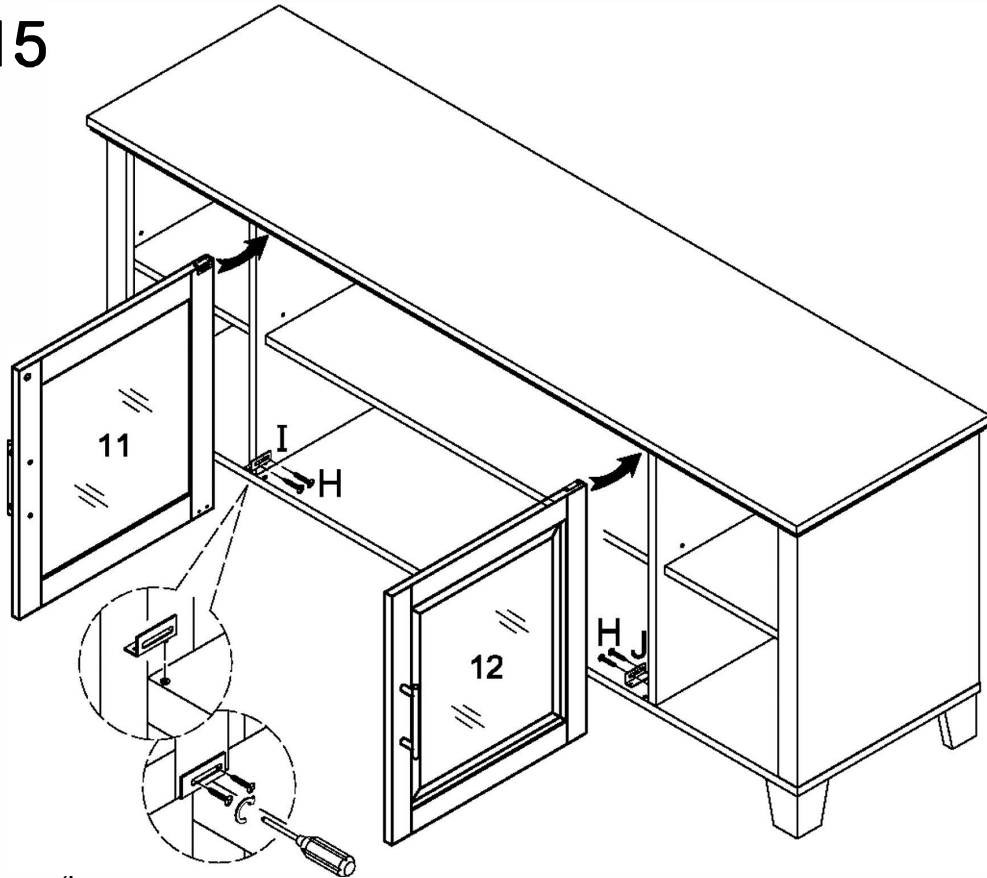
Secure handle (K) to door (11,12) with screw (L).

Step 14



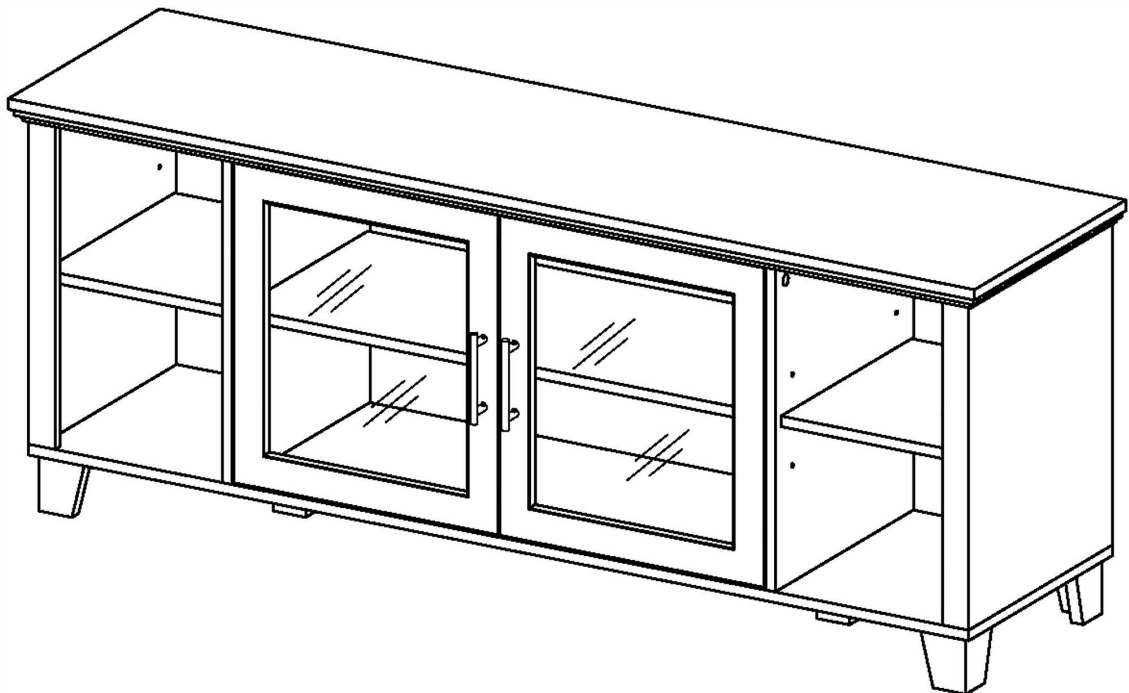
Place plastic pivot (M) over holes as per diagram.

Step 15



Insert door hinge (i)

Step 16



Final Assembly