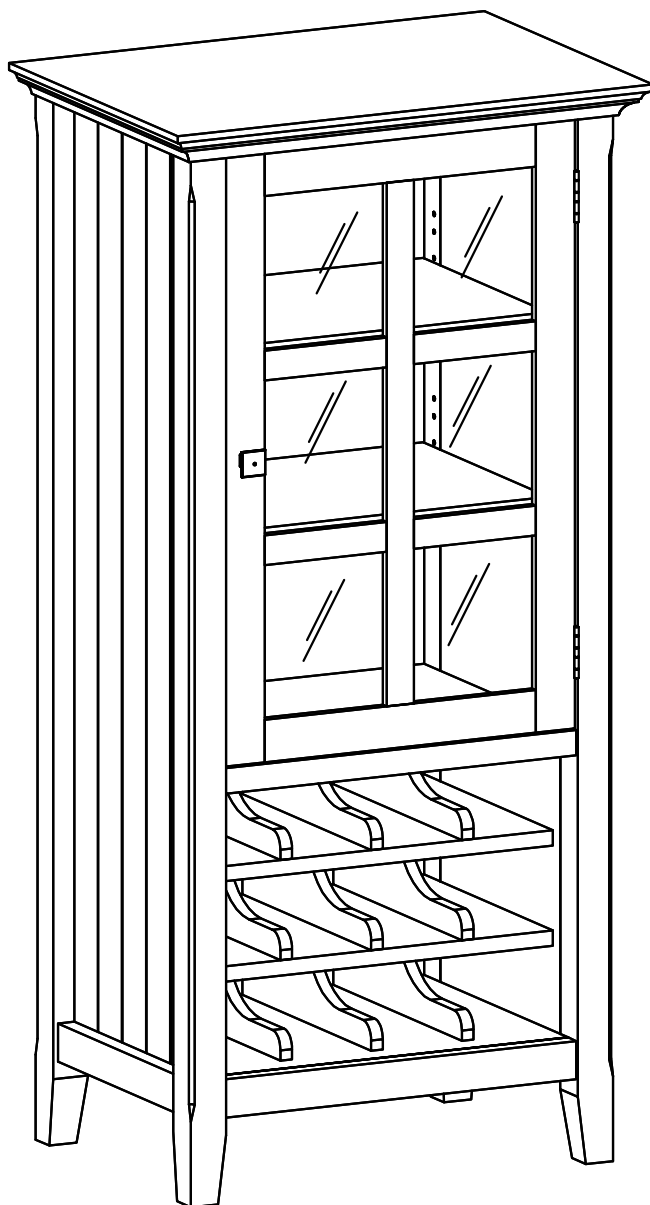
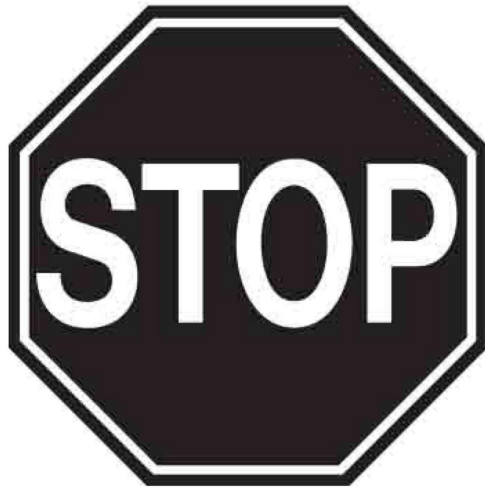


ACADIAN / NORMANDY / BRUNSWICK

HIGH STORAGE WINE RACK

MODEL # AXWELL3 - 009





**FOR REPLACEMENT PARTS OR HELP WITH
ASSEMBLY PLEASE CONTACT US AT:**

simpli-home.com/customer-support

**PLEASE ENSURE TO HAVE THE MODEL #
FROM THE PACKAGING OR INSTRUCTION BOOKLET**

**TO RETURN THE PRODUCT:
PLEASE CONTACT THE RETAILER
WHERE THE ITEM WAS PURCHASED FROM**

SIMPLI[™]
H O M E

WyndenHall[™]
HOME DECOR
brooklyn + max[™]

**ENTER
TO WIN**

**Upload an image of our furniture
in your home with a short review
to our facebook page for a chance to**

**Win up to \$3000 of
Simpli Home furniture!!!**

www.facebook.com/simplihomefurnishings



IMPORTANT : Please read this manual carefully before beginning assembly of this product. Keep this manual for future reference.

SAFETY INFORMATION

Identify all the parts and hardware. Do not discard of the packaging until you have checked that you have all of the parts and hardware required. Hardware package may have spare parts.

WARNING: This item contains small parts which can be swallowed by children and pets. Keep children and pets away during assembly. To avoid danger of suffocation, always keep plastic bags away from children and pets. We recommend that you assemble this unit on a carpeted floor to avoid scratches. If using power tools, set the tool to low torque to avoid damage.

May require 2 people for ease of assembly.

CARE and MAINTENANCE

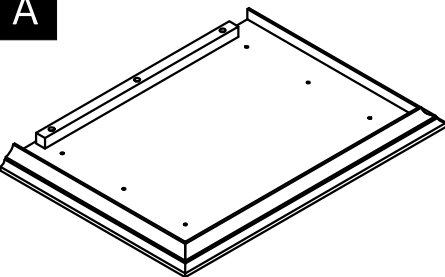
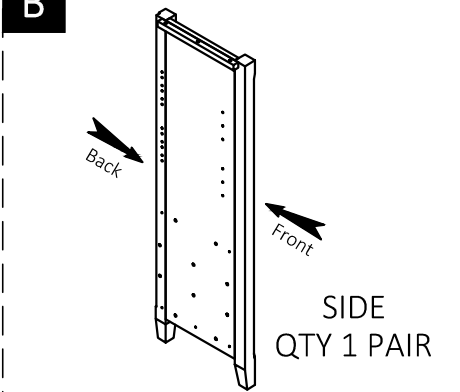
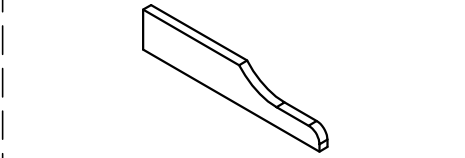
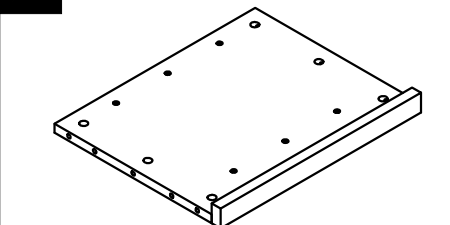
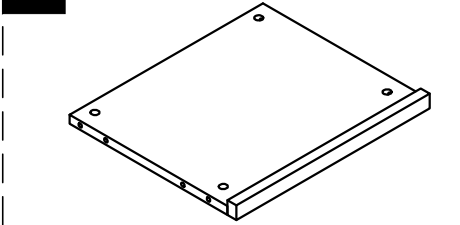
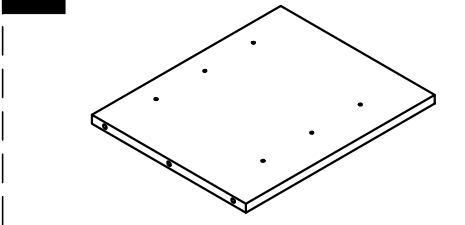
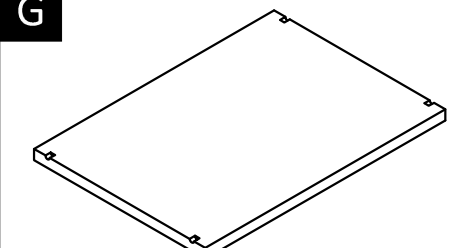
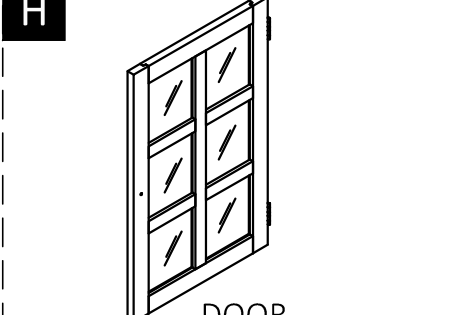
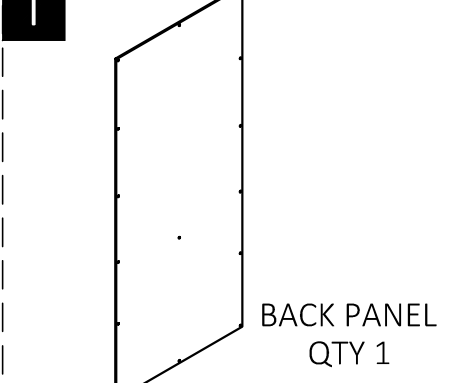
To clean, use a soft or slightly damp cloth, then wipe with a clean, dry cloth. Dust with soft dry cloth.

Do not use ammonia-based cleaning products, as they will damage the finish. Do not leave liquids or damp cloths on this furniture.

To avoid dulling of the finish, do not place furniture in direct sunlight.

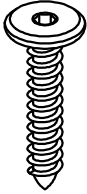
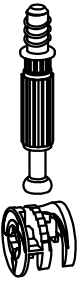
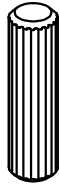

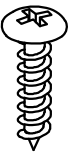
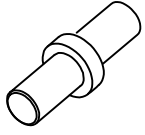
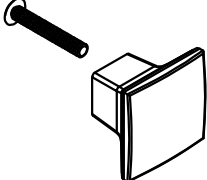
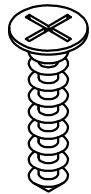
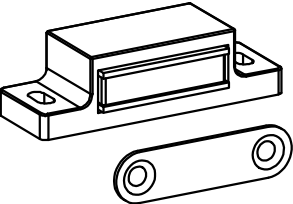
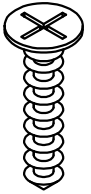
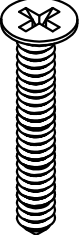
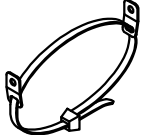



Please inspect and tighten all screws or bolts on a regular basis to ensure proper performance and safety of your item.

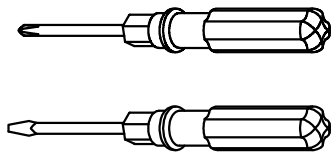
PART DESCRIPTION

<p>A</p>  <p>TOP QTY 1</p>	<p>B</p>  <p>SIDE QTY 1 PAIR</p>	<p>C</p>  <p>DIVIDER QTY 9</p>
<p>D</p>  <p>BOTTOM SHELF QTY 1</p>	<p>E</p>  <p>TOP SHELF QTY 1</p>	<p>F</p>  <p>CENTRE SHELF QTY 2</p>
<p>G</p>  <p>CABINET SHELF QTY 2</p>	<p>H</p>  <p>DOOR QTY 1</p>	<p>I</p>  <p>BACK PANEL QTY 1</p>

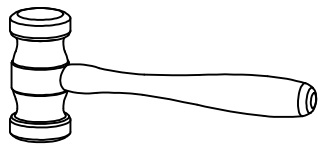
NEED HELP? For help with assembly or if you are missing a part,
Please call customer service at 1-866-518-0120 ext. 262 (9 am to 4 pm EST)

HARDWARE DESCRIPTION

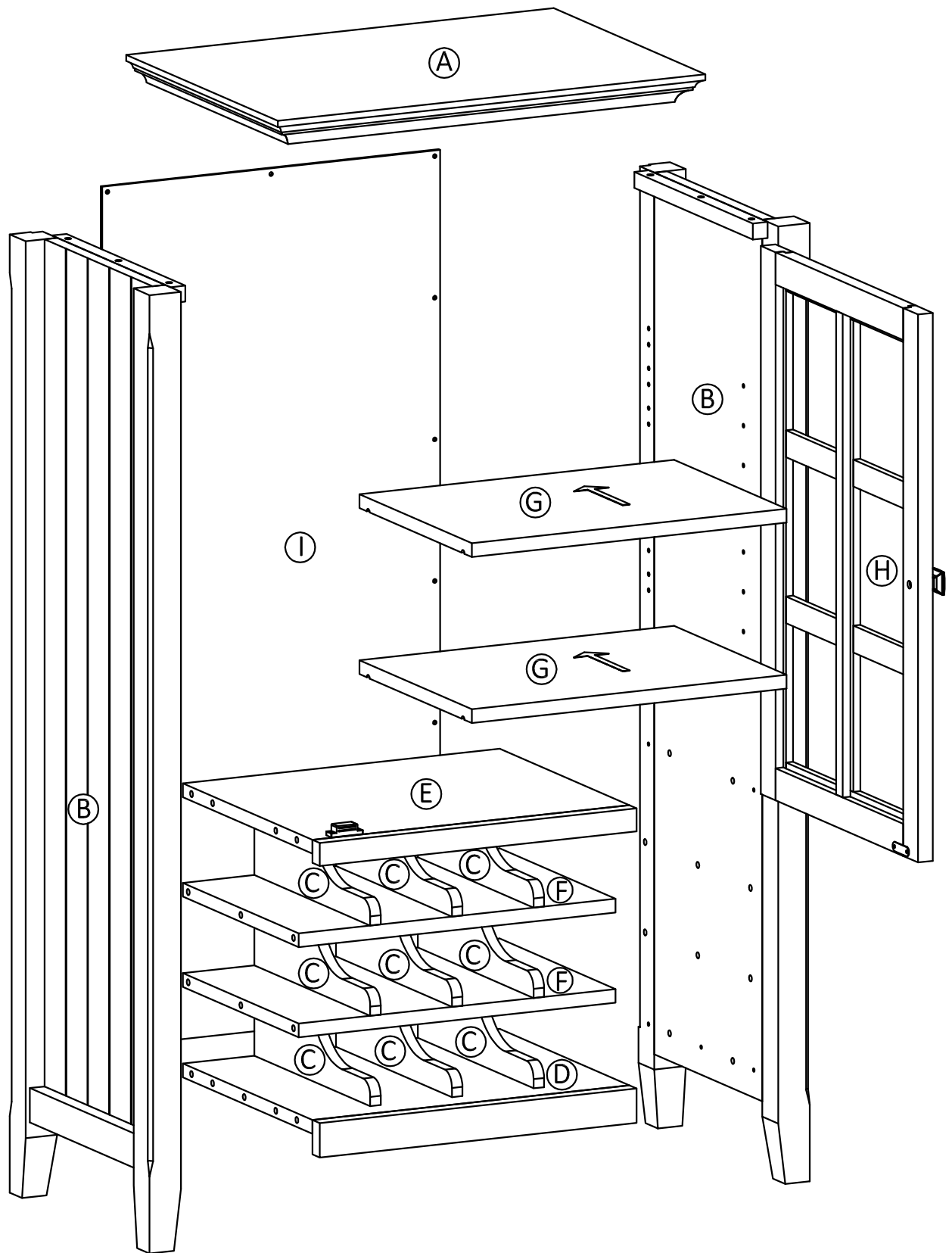
<p>1</p>  <p>ALLEN KEY SCREW M6 X 30mm QTY 6</p>	<p>2</p>  <p>CAM LOCK PIN CAM LOCK QTY 10 SETS</p>	<p>3</p>  <p>WOOD DOWEL Ø8 X 30mm QTY 20</p>	<p>4</p>  <p>ALLEN KEY QTY 1</p>
<p>5</p>  <p>PHILLIPS SCREW ROUND HEAD M4 X 15mm QTY 15</p>	<p>6</p>  <p>SHELF SUPPORT QTY 12</p>	<p>7</p>  <p>HANDLE M4 X 25 mm QTY 1 SET</p>	<p>8</p>  <p>PHILLIPS SCREW M3 X 15mm QTY 4</p>
<p>9</p>  <p>MAGNET AND PLATE QTY 1 SET</p>	<p>10</p>  <p>PHILLIPS SCREW M3 X 12mm QTY 6</p>	<p>11</p>  <p>PHILLIPS SCREW M4 X 30mm QTY 18</p>	<p>12</p>  <p>a.  M4 X 25mm - 1PC b.  M4 X 15mm - 1PC c.  M4 X 25mm - 1PC TIPPING RESTRAINT QTY 1 SET</p>



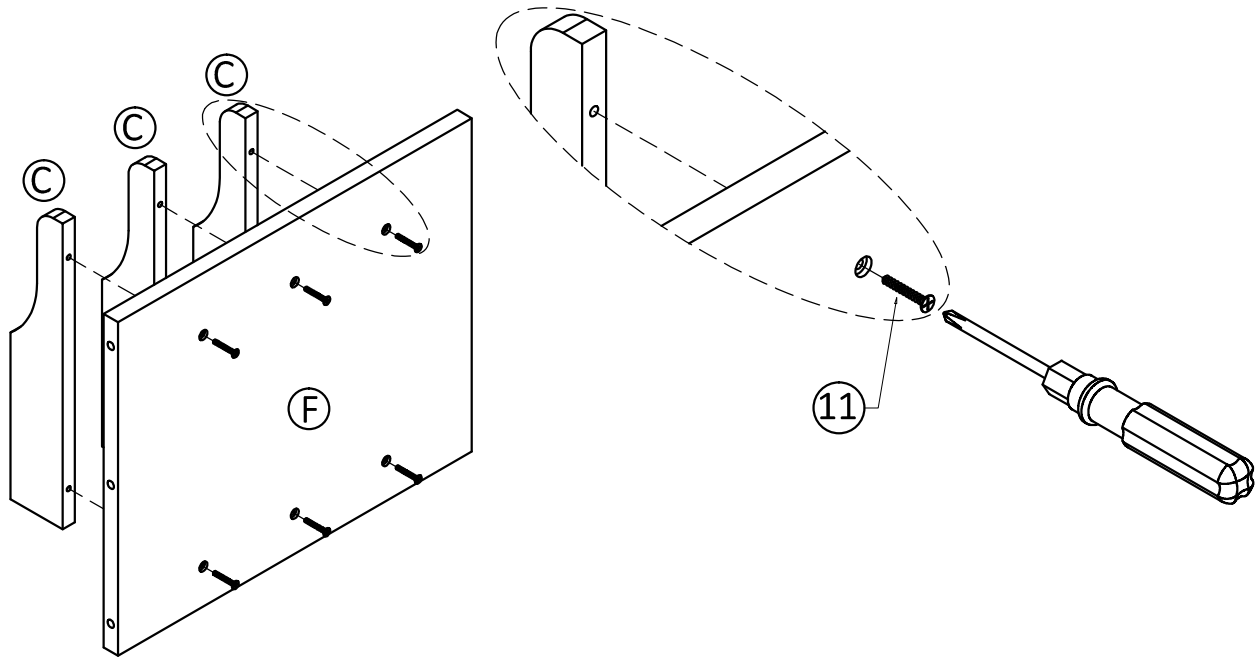
Required -
Flathead screwdriver
Phillips screwdriver
Rubber mallet
Not Included



NEED HELP? For help with assembly or if you are missing a part,
Please call customer service at 1-866-518-0120 ext. 262 (9 am to 4 pm EST)

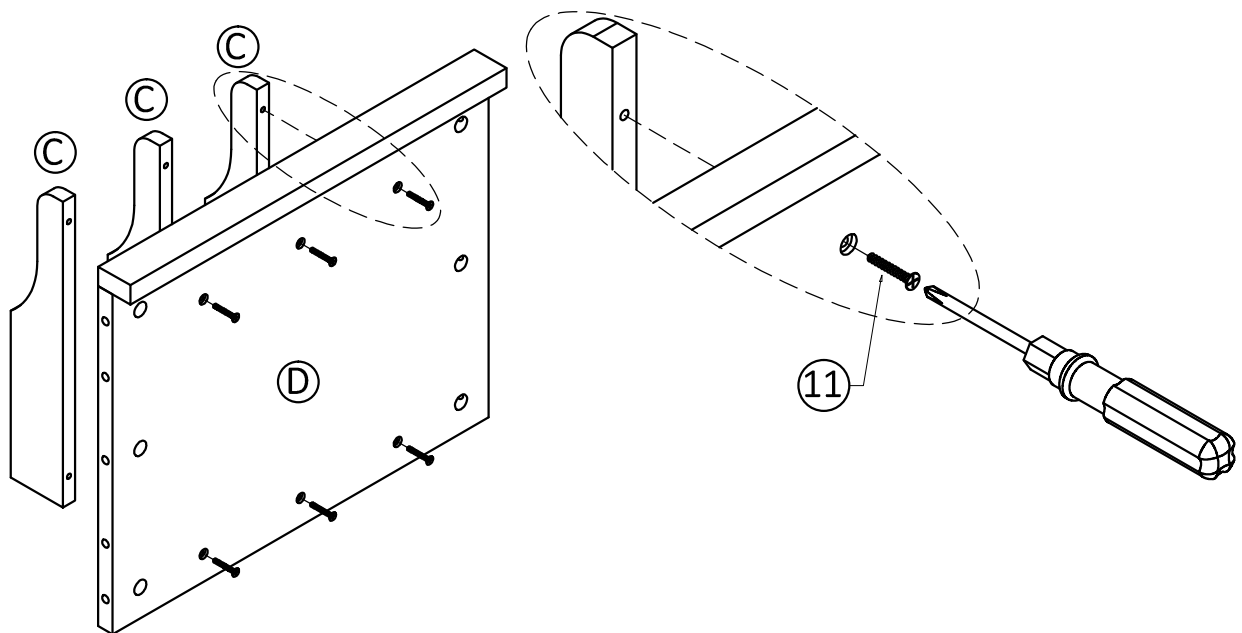


STEP-1



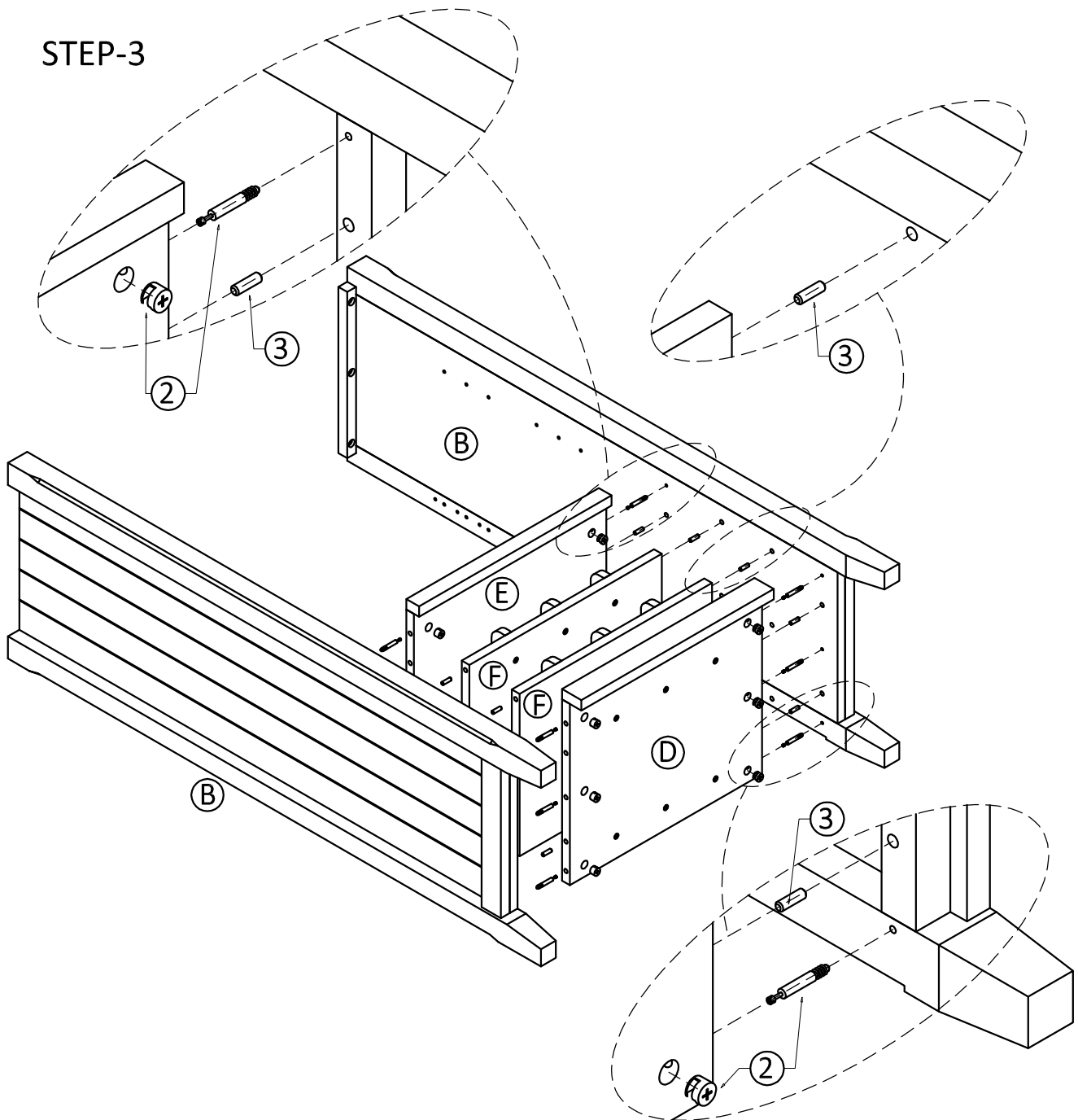
1. Attach 3 Dividers (C) to Centre Shelf (F) using 6 Phillips Screws (11).
2. Use Phillips screwdriver to snugly tighten screw.
3. Repeat Step-1 for the second Centre Shelf (F) and other 3 Dividers (C).

STEP-2



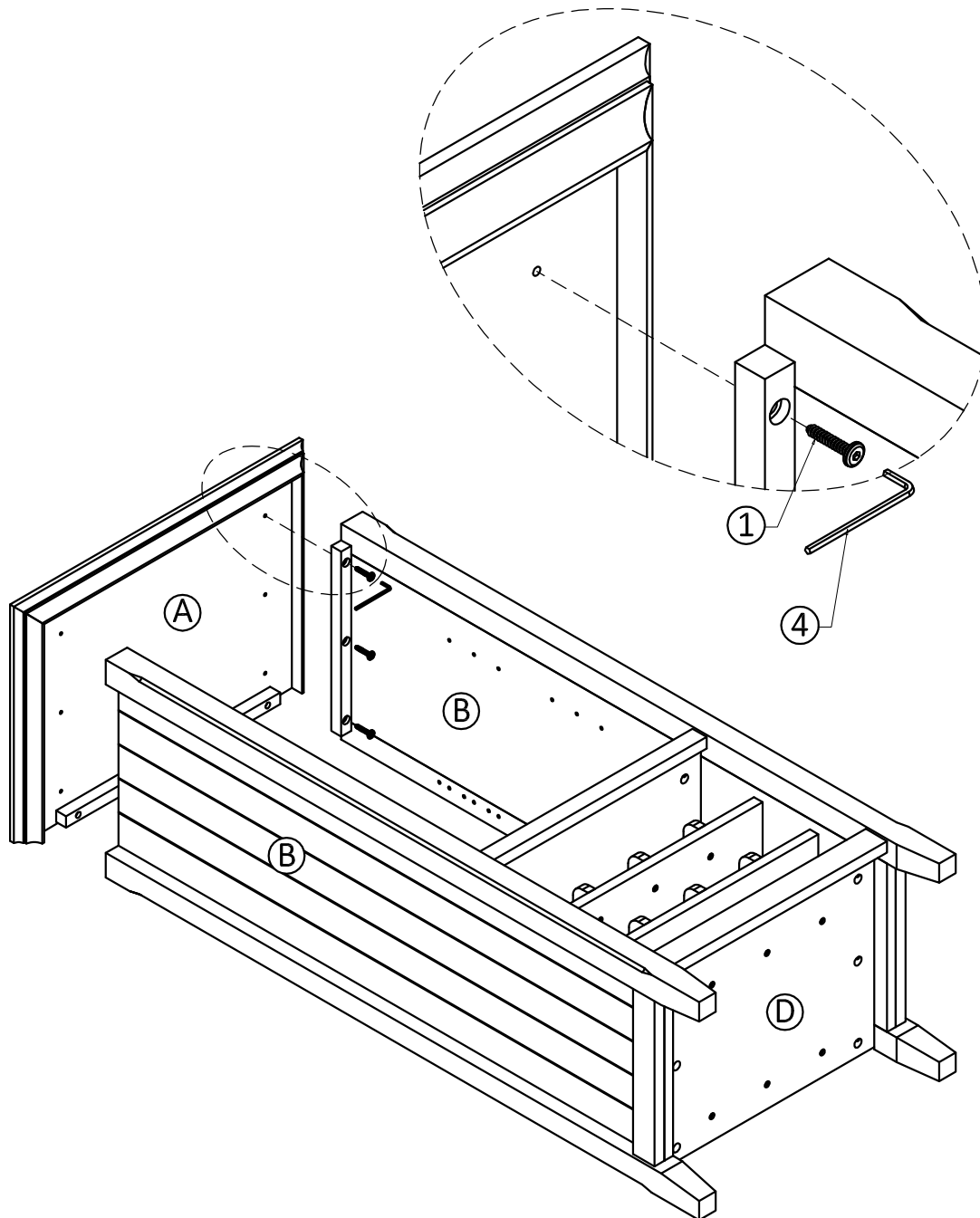
1. Attach 3 Dividers (C) to Bottom Shelf (D) using 6 Phillips Screws (11).
2. Use a Phillips screwdriver to snugly tighten screw.

STEP-3



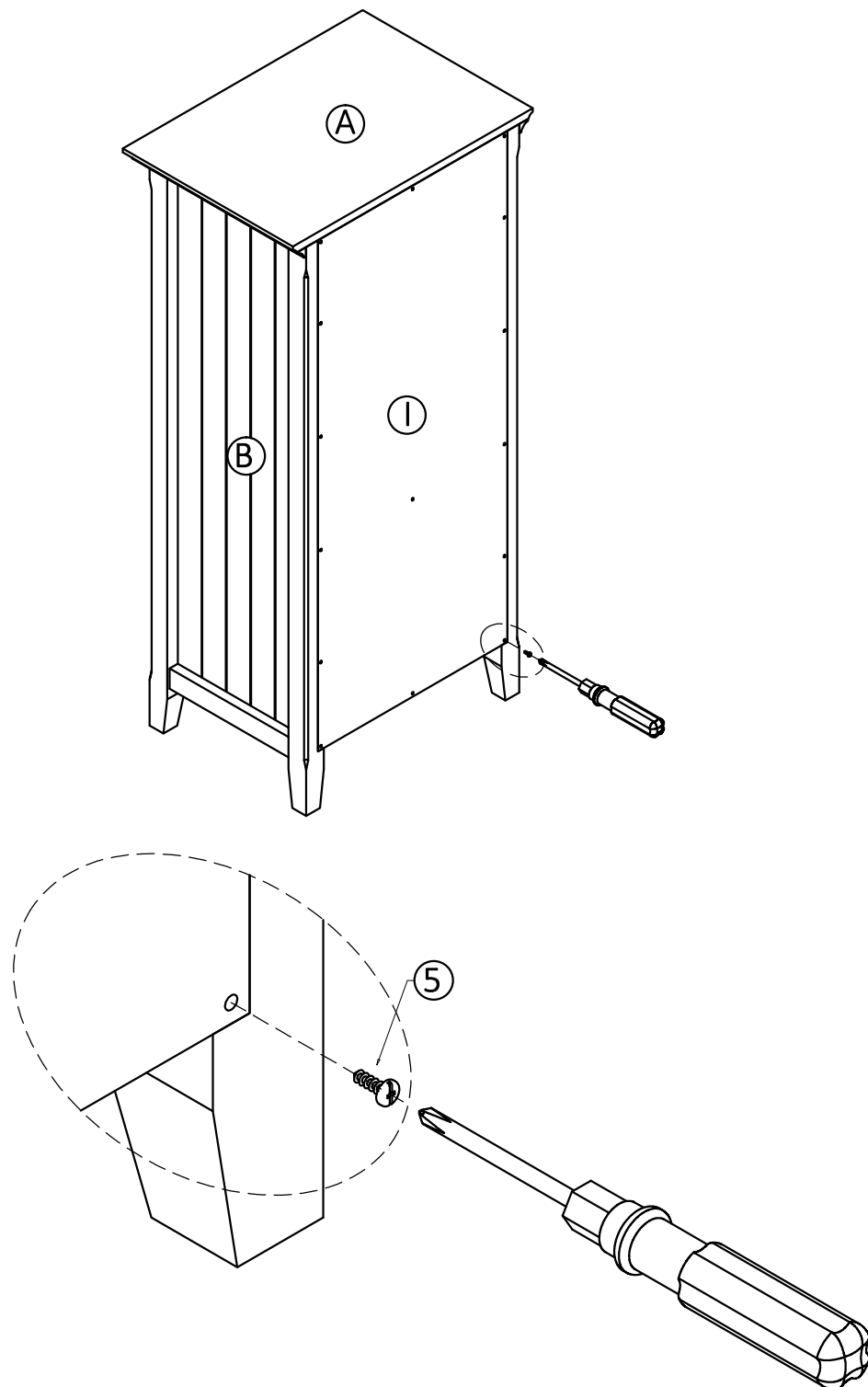
1. Insert 8 Dowels (3) into pre-drilled holes on Top Shelf (E) and Bottom Shelf (D) (2 dowels on each side).
2. Insert 12 Dowels (3) into pre-drilled holes on 2 Centre Shelves (F) (6 dowels on each Centre Shelf).
3. Use rubber mallet to tap Dowels (3) into bottom of holes securely. 1/2 length of Dowels should be exposed.
4. Attach 5 Cam Lock Pins (2) to each Side (B) using guide holes.
5. Align Cam Lock Pins with pre-drilled holes on Bottom Shelf (D) and Top Shelf (E).
6. Insert 10 Cam Locks (2) into pre-drilled holes on Bottom Shelf (D) and Top Shelf (E) (6 Cam Locks on Bottom Shelf (D) and 4 Cam Locks on Top Shelf (E)).
7. Use flathead screwdriver secure Cam Locks.

STEP-4



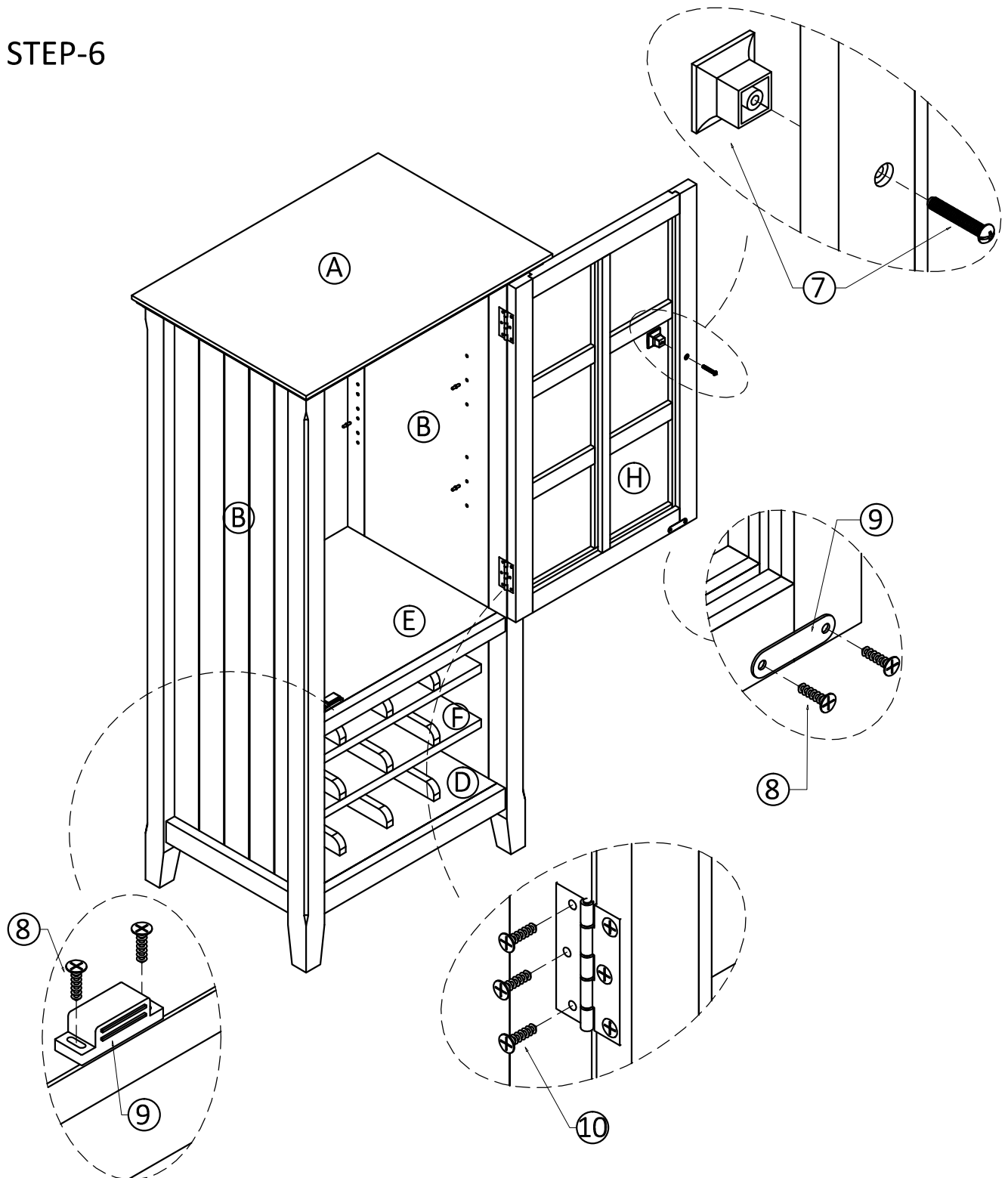
1. Attach Top (A) to Sides (B) and using 6 Allen Key Screws (1) (3 screws on each Side).
2. Use Allen Key (4) to tighten Screws. Do not over-tighten.

STEP-5



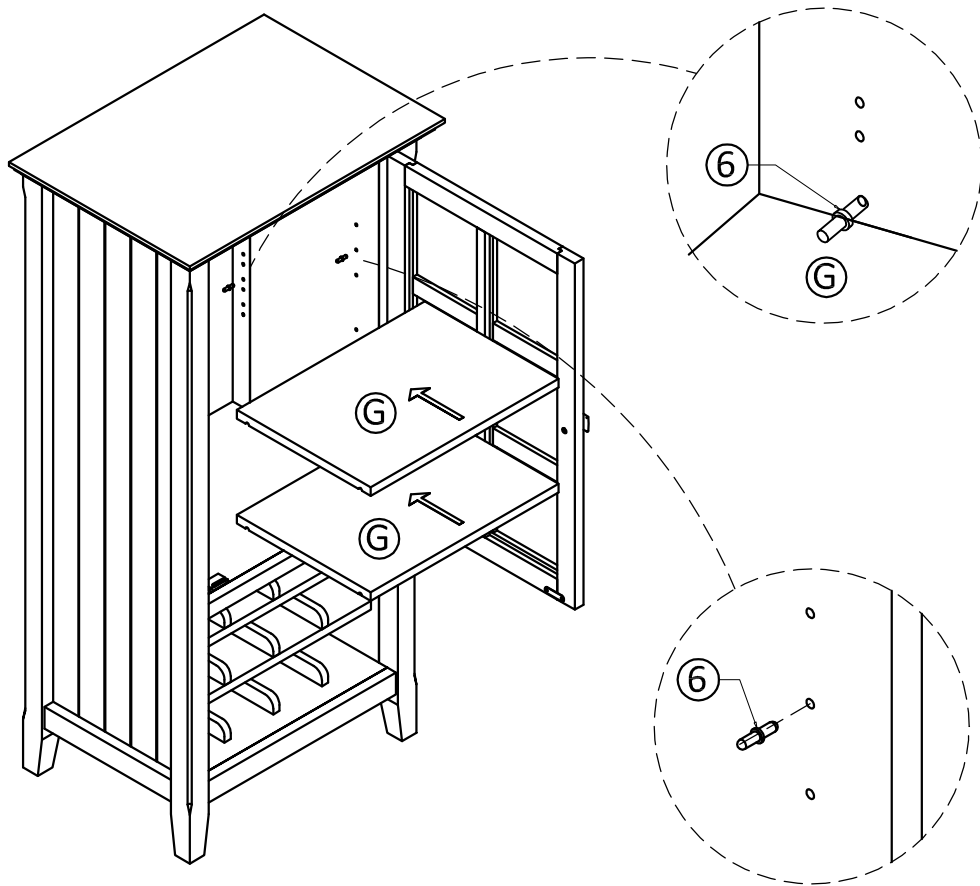
1. Attach Back Panel ① to back frame of wine rack using 15 Phillips Screws Round Head ⑤ through pre-drilled holes.
2. Use Phillips Screwdriver to tighten screws.

STEP-6



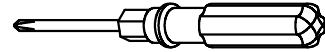
1. Attach hinges on Door (H) to Side (B) using Phillips Screws (10) into guide holes.
2. Attach Magnet Plate (9) to corners of Door (H) using Phillips Screws (8) into guide holes on Doors (H).
3. Attach Magnet (9) using Phillips Screws (8) into guide holes on Top Shelf (E).
4. Use Phillips screwdriver to snugly tighten screw.
5. Use Phillips screwdriver to attach Handle (7) to Door (H).

STEP-7

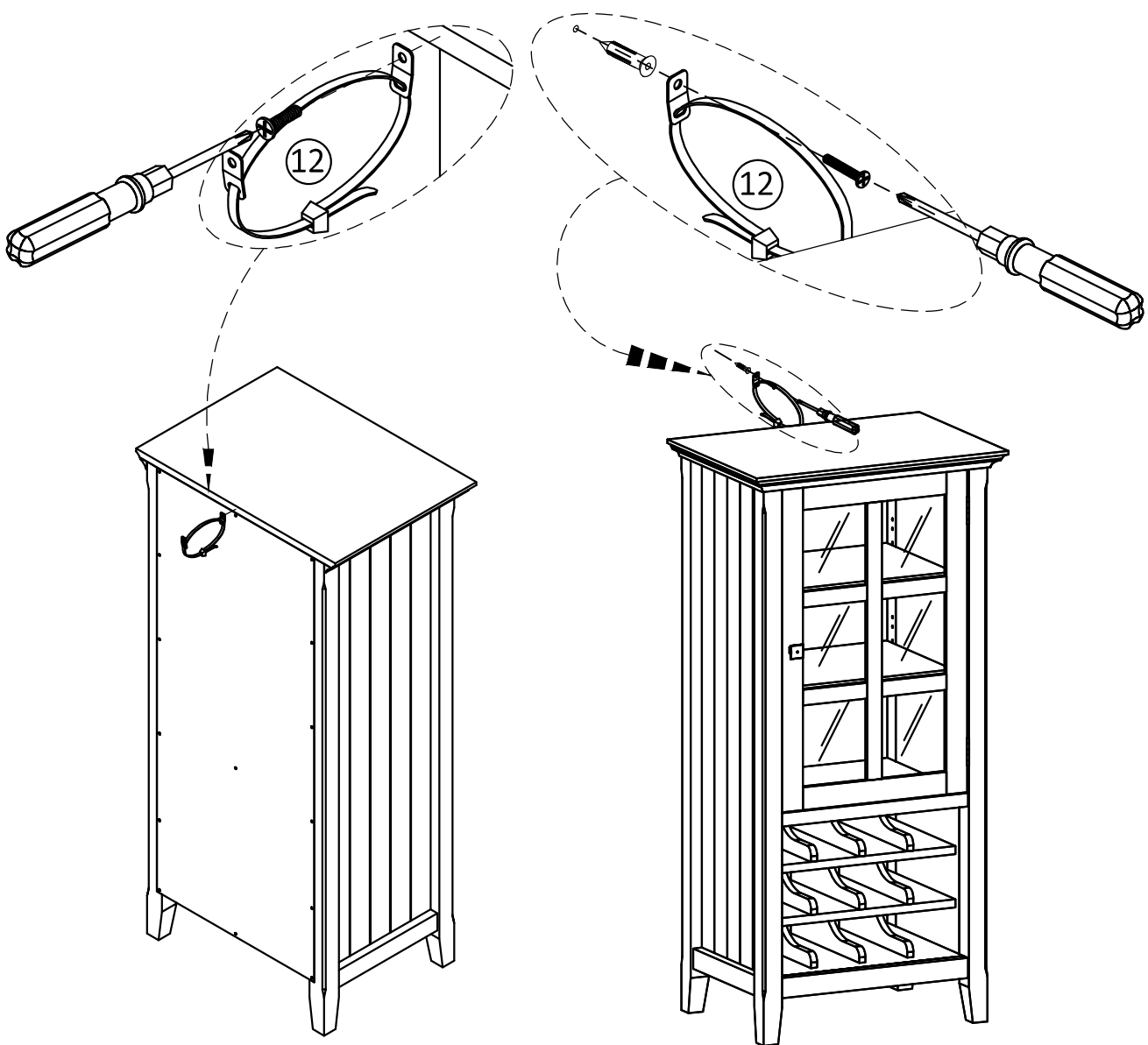


1. Use 4 Shelf Supports (6) for each Cabinet Shelf (G) in desired location.
2. 2 Shelf Supports (6) may be used on back top of each Cabinet Shelf (G) as a tipping restraint.

NOTE: Injuries and damage can occur from furniture tip-over. It is important to use the safety bracket included. If the tipping restraint kit is not in the box, please contact our customer service department in order to obtain another kit before using the furniture.

STEP-8

NOTE: The screwdriver is not included in the hardware pack.



1. To attach Tipping Restraint ⑫, follow instructions on Tipping Restraint package.

When you determined the location for your unit, install the Furniture Tipping restraint. Carefully follow the instructions contained on the package.



WARRANTY

Thank you for purchasing a **Simpli Home – Wyndenhall – Brooklyn + Max** product. These products have been made to demanding, high-quality standards and are guaranteed for domestic use against manufacturing faults for a period of 12 months from the date of purchase. This warranty does not affect your statutory rights.

In case of any malfunction of your product (failure, missing parts, etc.) please contact us at our toll free service line at 1-866-518-0120 ext. 262 from 9 am to 4 pm, Monday to Friday, Eastern Standard Time or by email at [simpli-home.com/customer-support](https://www.simpli-home.com/customer-support).

We reserve the right to repair or replace the defective product, at its discretion.

This product is guaranteed for 12 months if used for normal purposes. Any warranty is invalid if the product has been overloaded or subject to neglect, improper use or an attempted repair by other than an authorized agent. Heavy-duty or daily professional/commercial usage are not guaranteed.

Due to continuous product improvement, we reserve the right to change the product specifications without prior notice.



Questions, problems, missing parts?

Before returning your product
please email Customer Support at
simpli-home.com/customer-support

or call

Customer Support at 1-866-0518-0120 ext. 262
Monday to Friday between 9 am – 4 pm EST

For more information visit us on our website
www.simpli-home.com

Like us on facebook
www.facebook.com/simplihomefurnishings