

# 7801 7802 7812 INSTALLATION INSTRUCTIONS

Please read carefully and save these instructions as you may need them a later date.

## CAUTION

**WARNING:** Risk of Fire. Consult a qualified electrician to ensure correct branch circuit conductor.

Turn off the main power at the circuit breaker before installing the fixture in order to prevent possible shock.

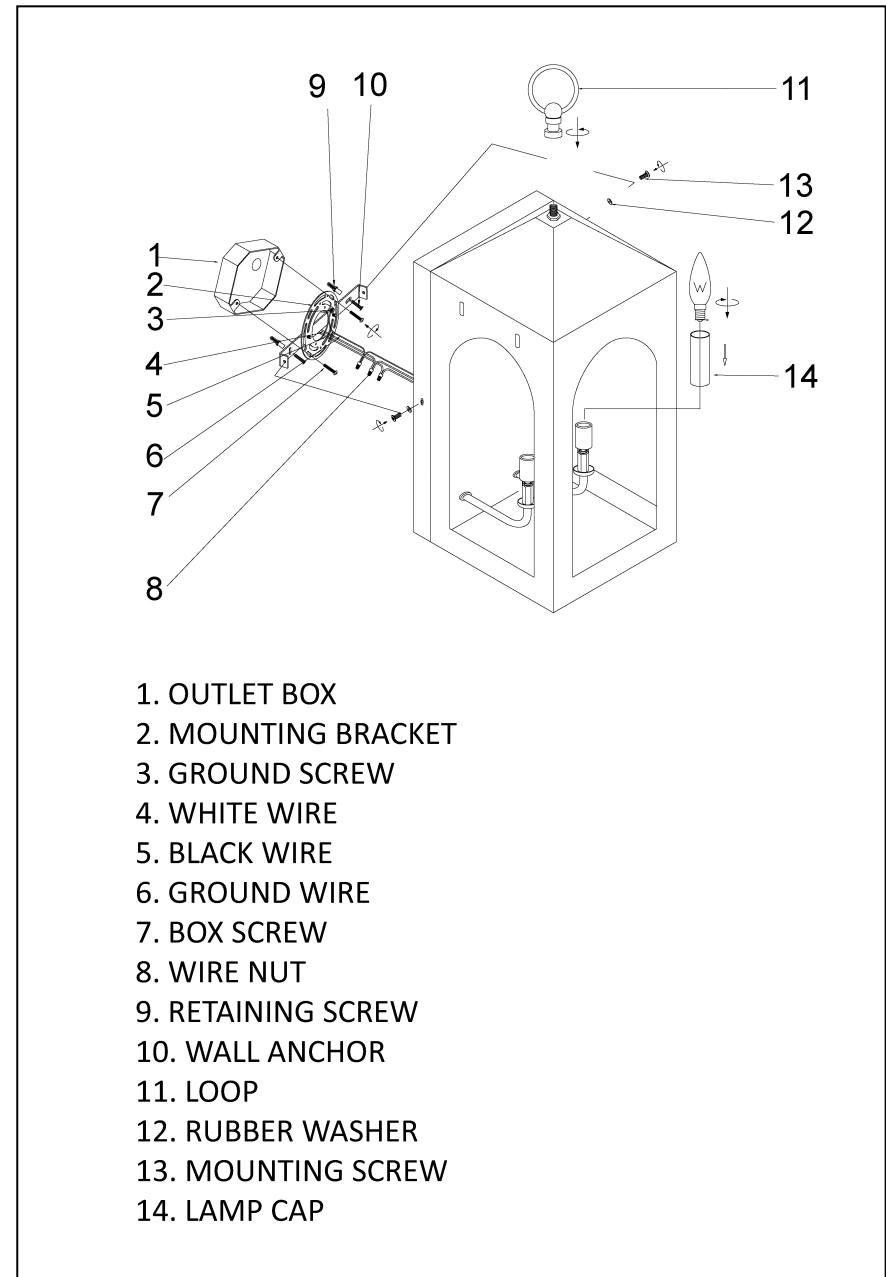
## GENERAL

All electrical connections must be in accordance with local and National Electrical Code (N.E.C.) standards. If you are unfamiliar with proper electrical wiring connections obtain the services of a qualified electrician.

Remove the fixture and the mounting package from the box and make sure that no parts are missing by referencing the illustration.

## ASSEMBLY AND INSTALLATION

1. Secure mounting mounting bracket (2) to the outlet box (1) using box screws (7).
2. Pull out the outlet wire and ground wire (6) from the outlet box (1).  
Make wire connections with wire nut (8).
  - Ribbed wire (w/o marking) or white wire from light to White wire (4) from power source.
  - Smooth wire (w marking) or black wire from light to Black wire (5) from power source.
  - Attach the ground wire (6) to mounting bracket (2) with a ground screw (3).
3. Place the fixture's backplate over the mounting plate and secure with rubber washer (12) and mounting screws (13).
4. Screw the loop (11) to the top of the fixture.
5. Install lamp cap and the bulbs: (bulbs not included)  
(Don't exceed the maximum capacity recommended on the sockets).



INSTALLATION IS NOW COMPLETED