

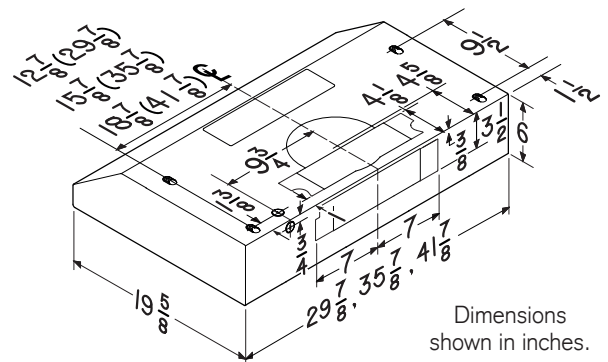
The clean, contemporary shape of Glacier complements any kitchen design. Impressive LED lighting and superior smoke and odor removal are a mere introduction to everything this hood has to offer. The LED modules included with this hood are the latest in LED cooktop illumination technology specially designed to operate in the elevated temperatures of cooking - offering bright lighting and lasting up to 25 times as long as a standard bulb and greater reliability than typical replacement LED bulbs.

SIZE	WHITE	BLACK	STAINLESS	GREASE FILTERS (replacement)	NON-DUCTED FILTERS
30 in.	BCDJ130WH	BCDJ130BL†	BCDJ130SS	HPFA3B30 (Type C4)	HPF30 (Type Xc)
36 in.†	---	---	BCDJ136SS	HPFA3B36 (Type D4)	HPF36 (Type Xd)
42 in.†	---	---	BCDJ142SS	HPFA3B42 (Type E4)	HPF42 (Type Xe)

† Not available in Canada.

FEATURES	
Max. Blower CFM ‡	450 CFM
Control type	3-speed Pushbutton with LCD
Delay off	yes
Filter Clean Reminder	yes
Heat Sentry™	yes
ADA Capable	yes
Lighting	3-level LED (included)
Grease Filters	Deluxe Micro Mesh (Qty. 2)
Installation Hardware	EZ1 Bracket
ENERGY STAR®	no
Recirculation	Non-ducted filters sold separately
AC INPUT	
120 V, 60 Hz - 1.4 AMPS	
OPTIONAL ACCESSORIES	
7-in. Round Damper	BP87Q
ADA Wiring Kit	HAWRK3
Make-up Air Dampers	MD6TU, MD8TU and MD10TU
MOUNTING HEIGHT	
18 in. to 30 in. from cooktop to bottom of hood	
LIMITED WARRANTY	
1-year	
3-year (LED modules only)	
<i>(See installation manual for full warranty text.)</i>	
FOR INDOOR USE ONLY	

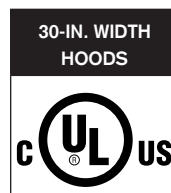
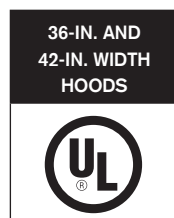
‡ Max. blower CFM indicates the performance of the hood blower in open air and is not HVI certified..



Dimensions shown in inches.

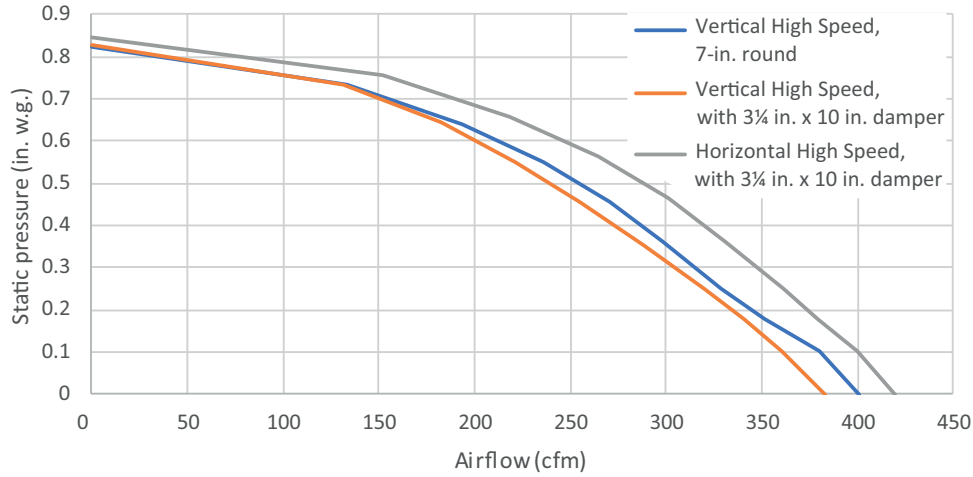
SPECIFICATION SHEET

GLACIER - BCDJ1 SERIES



99045736M

HVI PERFORMANCE									
Duct Orientation	Size	Damper	Sones			CFM			
			Normal	Medium*	High	Normal	Medium*	High 0.25 in. w.g.	High 0.1 in. w.g.
Vertical - Rectangular	3¼ x 10 in.	Included	0.4	2.5	6.0	140	230	310	360
Horizontal - Rectangular	3¼ x 10 in.	Included	0.4	2.0	5.5	150	240	340	400
Round - Vertical	7 in.	Sold Separately	0.4	2.0	5.5	150	220	320	380



HVI-2100 CERTIFIED RATINGS comply with new testing technologies and procedures prescribed by the Home Ventilating Institute, for off-the-shelf products, as they are available to consumers. Product performance is rated at 0.1 and 0.25 in. static pressure at high speed based on tests conducted in an HVI-approved state-of-the-art test laboratory. Sones are a measure of humanly-perceived loudness, based on laboratory measurements.

* Where noted performance rating is not HVI certified.