

NEED HELP?
Call or Email us first

Our service team is ready to answer your questions...
1-800-265-1833 (English) / 1-800-567-2513 (French)
IN CANADA - resalescanada@canarmna.ca - IN USA - resalesusa@canarmna.ca

Monday – Friday
8 AM - 5 PM EST.



INSTRUCTIONS PERTAINING TO RISK OF FIRE OR INJURY TO PERSONS
READ ALL INSTRUCTIONS

IMPORTANT SAFETY INSTRUCTIONS
SAVE THESE INSTRUCTIONS

TOOLS AND MATERIALS REQUIRED:



Phillips Screwdriver



Wire Cutters



Pliers



Wrench

Wiring supplies as required by local electrical code

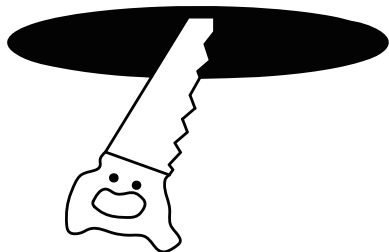
SAFETY PRECAUTIONS:

1. TURN OFF ELECTRICAL POWER BEFORE STARTING INSTALLATION OF LIGHT FIXTURE.
2. THIS PRODUCT MUST BE INSTALLED IN ACCORDANCE WITH THE APPLICABLE INSTALLATION CODE BY A PERSON FAMILIAR WITH THE CONSTRUCTION AND OPERATION OF THE PRODUCT AND THE HAZARDS INVOLVED.
3. CAUTION – RISK OF FIRE. CONSULT A QUALIFIED ELECTRICIAN TO ENSURE CORRECT BRANCH CIRCUIT CONDUCTOR.
4. CONNECT THE GROUND WIRE (BARE COPPER OR GREEN) FROM THE CABLE TO THE GROUND WIRE (BARE COPPER OR GREEN) OR GROUND SCREW IN THE HARDWIRE BOX.
5. TO CLEAN THE FIXTURE, TURN OFF THE POWER, WAIT FOR IT TO COOL, AND WIPE THE FIXTURE WITH A CLEAN, SOFT CLOTH.

NOTE: Product may not look exactly as shown in figures.

INSTALLATION:

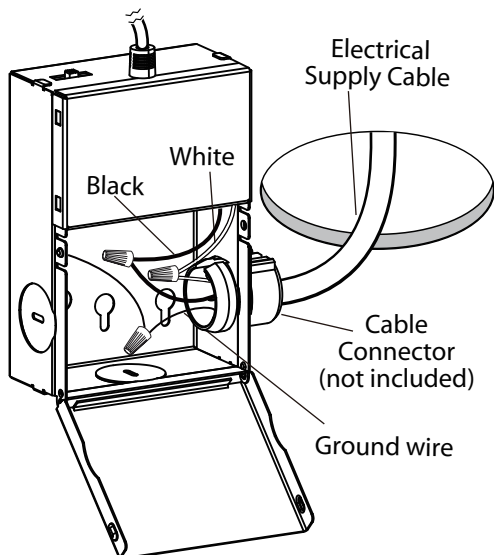
Step 1



Locate a suitable position to install the fixture and drill mounting hole in ceiling according to the cut-hole dimension.

Cut-hole dimension
4" ϕ 4.25"

Step 2

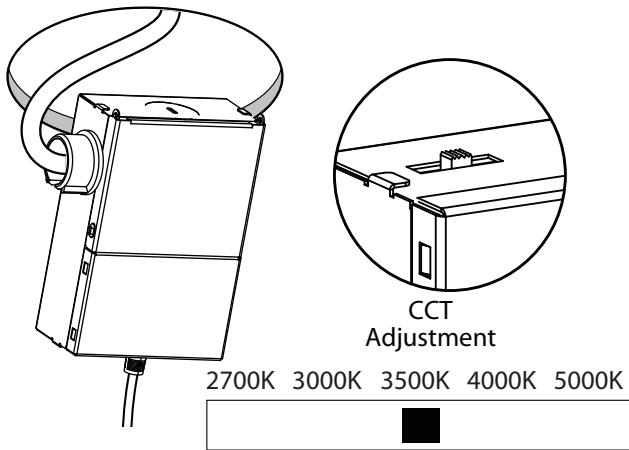


Open the hardwire box swing cover and remove the appropriate knockout(s).

Insert the electrical supply cable through a knockout and secure with a cable connector (not included).

Using wire nuts, connect the ground wire (bare copper or green) from the cable to the ground wire (bare copper or green) or ground screw in the hardwire box. Connect the white wire from the cable to the white wire in the hardwire box. Connect the black wire from the cable to black wire in the hardwire box.

Step 3

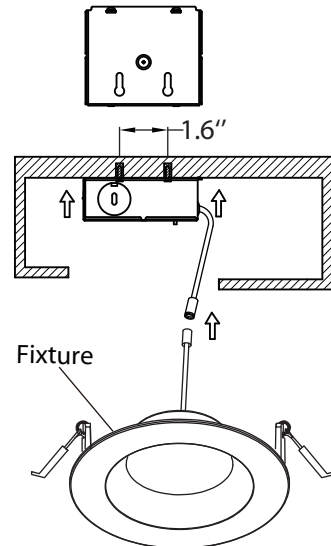


Select color temperature before installation.

Place all wiring and connections back into the box and close the cover. Insert hardwire box through the mounting hole.

Hardwire box shall be firmly secured to studs, joists, or similar fixed structural units.

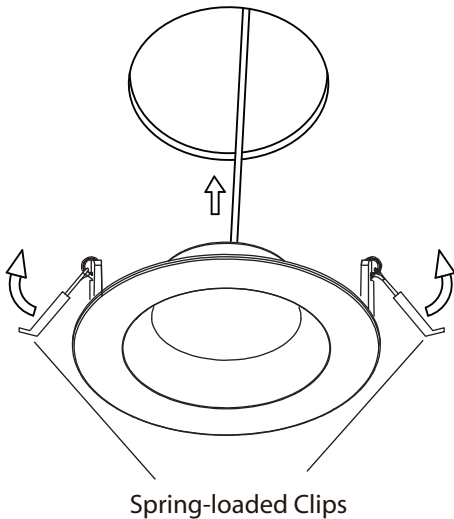
Step 4



Fix the hardwire box with screws. If needed, make two holes in the ceiling, spaced by 1.6 inch, of proper size to accommodate the screws.

Connect the fixture to the hardwire box by inserting and twisting the male/female connectors.

Step 5



Push the spring-loaded clips on the fixture upwards and insert the fixture base into the mounting hole.

Release the clips and fixture will be pulled flush to the ceiling.



dimnable

This LED light is compatible with the dimmers:
Leviton# 742-6672-HLW, 722-6674-PDW MAX 150 W,
Lutron # SCL-153PH-WH MAX 150 W,
Leviton# 742-66EV-P0W MAX 300 W.
The MAX rated wattage of this model is 15 W.