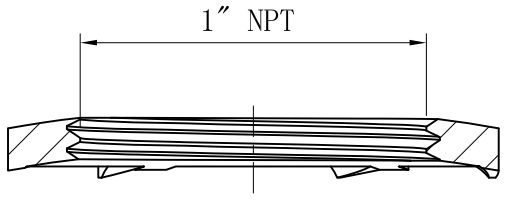
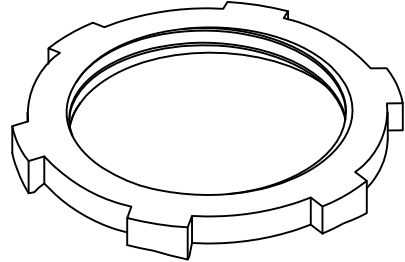
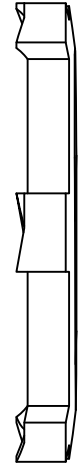
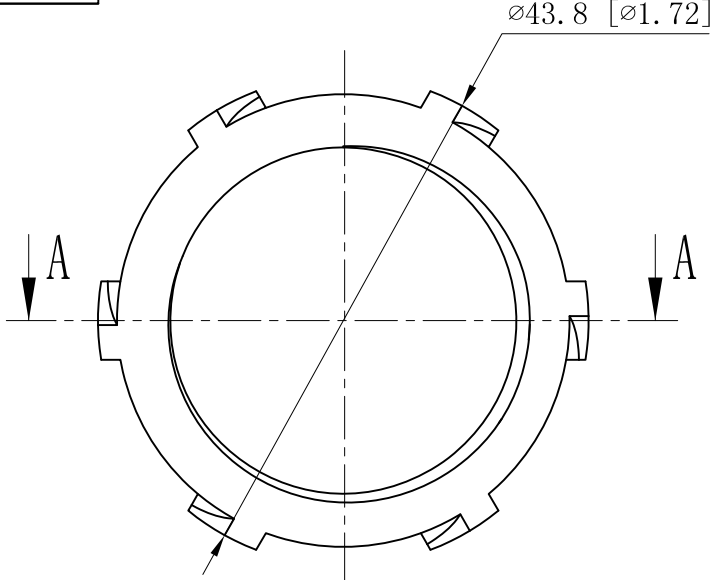


SIDES	BOTTOM
Material: Steel-0.157"-SS316	



CUTAWAY VIEW A-A

This data sheet is for reference only .GARVIN INDUSTRIES reserves the right to make changes to the design without prior notice.

DESCRIPTION
TRADE REFERENCE TERMS

STANDARD PACKING
50 PCS

<b>GARVIN INDUSTRIES</b>		
TITLE STEEL LOCKNUTS		
SIZE A4	DWG NO. LNSS-100	REV
DATA SHEET		