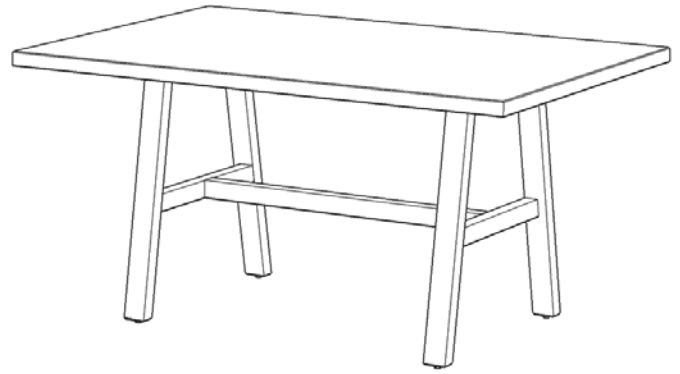


Dining Table



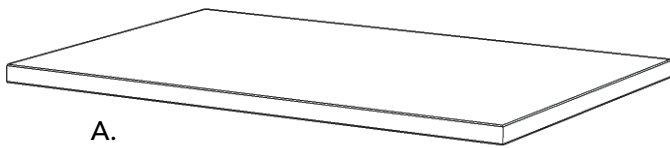
IMPORTANT

Carefully remove all the parts from the carton and place them individually on a soft cloth to prevent scratches or other damage.

Carefully and strictly follow these assembly instructions to ensure a completed product as designed.

Do not use power tools above 8 volts to assemble.

Part List



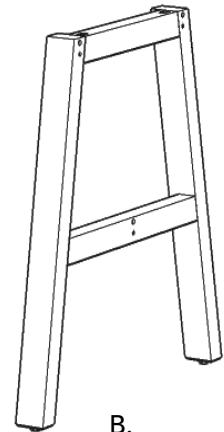
A.
Top
1 pc.



C.
Stretcher
2 pcs.



D.
Stretcher
1 pc.

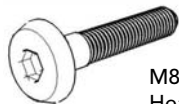


B.
Side Frame
2 pcs.

Hardware List



Hex Wrench 1 pc.
Small Hex Wrench 1 pc.



M8x65
Head Cap Bolt (large)
8 pcs. (+1 extra)



Spring Washer (large)
8 pcs. (+1 extra)



Flat Washer
8 pcs. (+1 extra)



M6x60
Head Cap Bolt
6 pcs. (+1 extra)



Spring Washer
6 pcs. (+1 extra)



Washer
6 pcs. (+1 extra)

Care Instructions

The concrete top is made of natural stone materials with naturally occurring fissures and cavities. A sealer has been applied to the concrete to reduce the absorption of liquids. Even with sealer applied, liquids can absorb into the concrete causing permanent stains. Never allow liquids to remain on the top.

Tool(s) required for assembly: Level

Home Styles Customer Service: www.homestyles-furniture.com,
servicedesk@homestyles-furniture.com, 888-680-7460, 877-831-0319

Assembly Instructions 2/3

IMPORTANT

- Use a soft cloth between these parts and the floor.
- Do not use power tools above 8 volts to assemble.
- Do not tighten all the bolts until each part is properly assembled.
- The unit must be level to work properly. Use the included adjustable levelers to level.
- Keep Hex Wrench as the bolts may need to be tightened in the future.

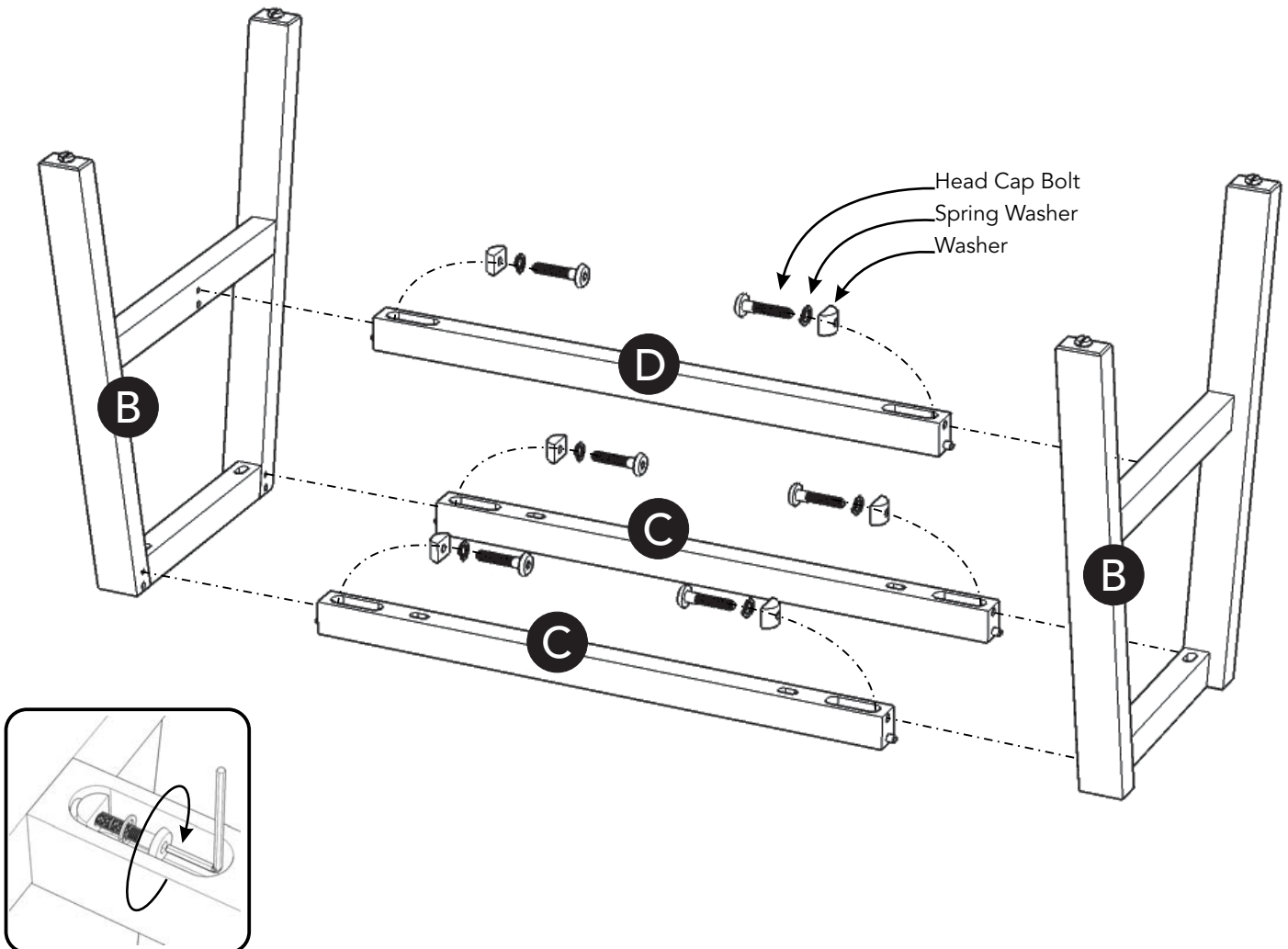


Figure 1

STEP 1

Attach Stretchers (C) and (D) to Side Frame (B) with Washers, Spring Washers and Head Cap Bolts, tightening bolts only halfway.
(See Figure 1)

Attach Side Frame (B) to unit with Washers, Spring Washers and Head Cap Bolts, tightening bolts only halfway.

Assembly Instructions 3/3

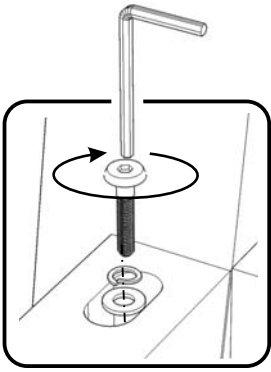
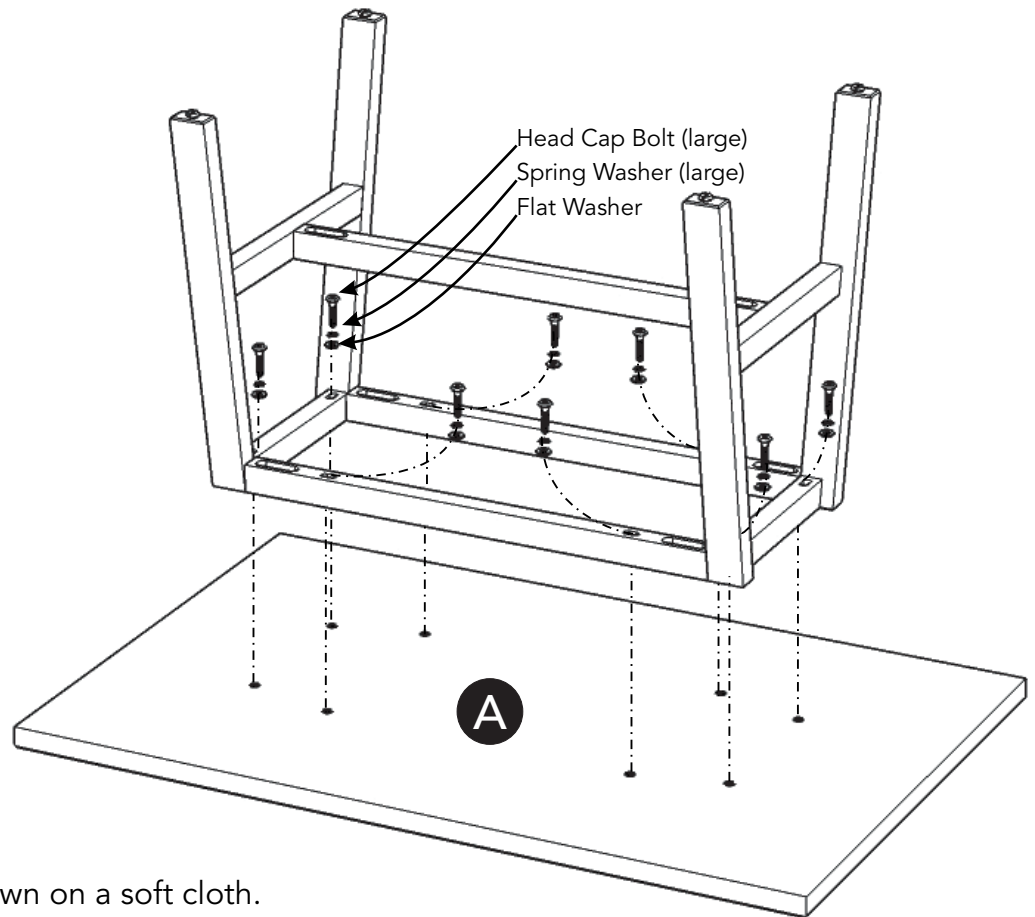


Figure 2

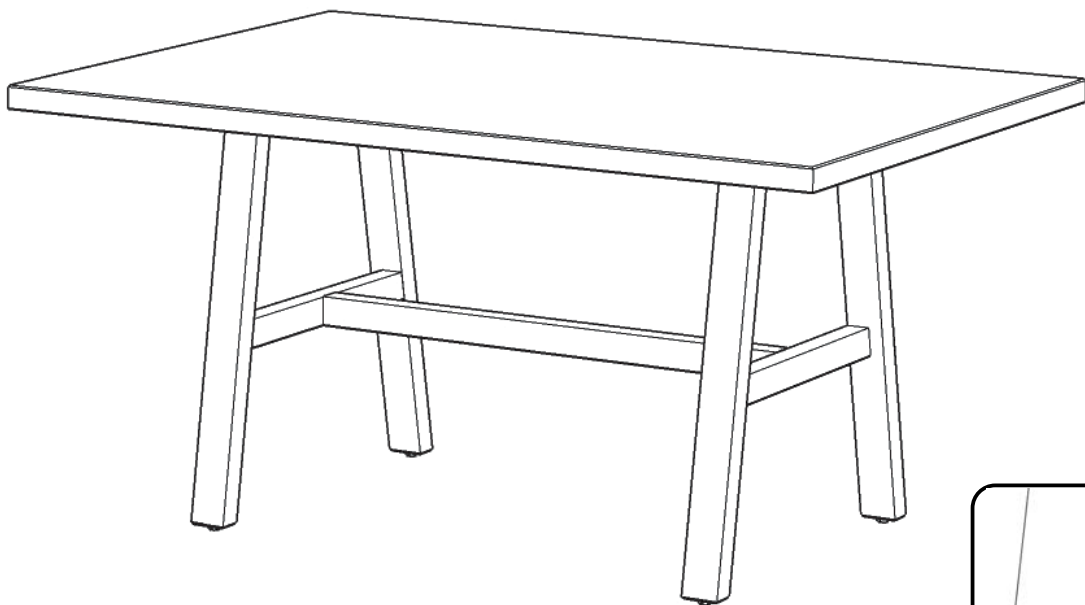


STEP 2

Place Top (A) upside down on a soft cloth.

Attach unit to Top (A) with Flat Washers, Spring Washers (large) and Head Cap Bolts (large), tightening bolts only halfway. (See Figure 2)

Tighten all Head Cap Bolts used in Step 1 and 2.



STEP 3

Turn unit over to its' upright position.

Level unit by adjusting the adjustable levelers on bottom of unit. (See Figure 3)

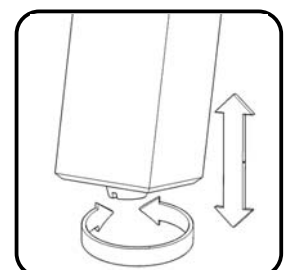


Figure 3

CARE INSTRUCTIONS

NEVER

allow liquids to remain on furniture.
Absorption causes parts to warp
and split and finishes to delaminate.

NEVER

use glass cleaners on
finished furniture. Ammonia
chemically attacks the finish.



Do not use power tools
above 8 volts to assemble.

**PREVENT
CRACKING**



Do not place
in direct sunlight.

**PREVENT
FADING**



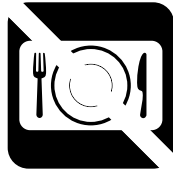
Do not write
directly on surface.

**PREVENT
MARKING**



Do not place hot
objects on surface.

**PREVENT
FINISH DAMAGE**



Do not use rubber
based placemats.

**PREVENT
DISCOLORING**



Do not use commercial
waxes and polishes.

**PREVENT
YELLOWING**

CLEAN

with a soft cloth moistened
in lukewarm soap and water.
Buff with a dry clean cloth.



Home Styles will provide replacements free of charge for missing or damaged hardware or parts within 30 days of purchase. Digital images of the defective parts may be required. If the product was not purchased from an authorized retail affiliate, Home Styles is under no obligation to provide replacement parts. Parts are not available for fully assembled items nor are parts available for sale. Replacements for missing or damaged hardware or parts may be requested at:

www.homestyles-furniture.com/customer-service/replacement-parts

Home Styles Customer Service: www.homestyles-furniture.com,
servicedesk@homestyles-furniture.com, 888-680-7460, 877-831-0319